

Wire Connection Products

Section Contents



Page

Rail mount terminal blocks

NDN Series 35mm DIN rail mount blocks	286-287
N512-BK 12-Pole block	288
NFT2-WH 2-Pole block	288
NFT3-__ 3-pole block	288
NC3-WH 3-Pole block	289
NSE3-WH 3-Pole block	289
NSS3-WH 3-Pole block	289

Rail mount disconnect terminal blocks

15188 Series 3- and 4-Pole blocks	290
15288 Series 3-Pole block	290

Sectional terminal blocks

PLU3-__ 3-Pole block	291
PLU1-WH 1- to 3-Pole block	291
PSU1-WH 1- to 3-Pole block	291
KT3-WH 3-Pole block	292
KT4-WH 4-Pole block	292
PLK-3__ 3-Pole block	292

Quick-connect terminal blocks

NTQ23-WH 3-Pole block	293
BNQ21-WH 1-Pole block	293
BQQ41-WH 1-Pole block	293

Double row terminal blocks

Series TB100 2- to 36-Pole blocks	294-295
Series TB200 & TB200HB 2- to 30-Pole blocks	296-297
Series TB300 & TB345 2- to 24-Pole blocks	298-299

Marking options and covers for double row series

300

Top & bottom marking strips for double row terminal blocks

301

Series TB400 2- to 12-Pole double row terminal blocks

302

Series KU 2- to 12-Pole base mount double row terminal blocks

303

Series TS finger-safe terminal blocks

2- to 12-Pole standard base	304
2- to 12-Pole flat base	305
2- to 12-Pole raised base	306

Wire Management Products

Rail mount terminal blocks

NDN Series

Specifications

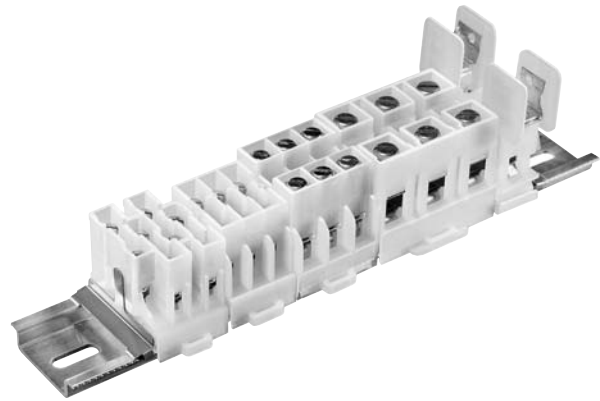
Description: High-density, snap-on 35mm DIN rail compatible rail mount terminal blocks.

Construction: Unique, impact resistant, one-piece thermoplastic moldings. Heat treated stainless steel collars (to secure wires). Tin-plated copper alloy terminals. Zinc-plated steel screws.

Circuits Per Foot: Up to 48 circuits per foot.

Agency Information: CE, UL E62622; CSA LR15364.

Flammability Rating: UL 94V2



NDNV4-__ __ (color)

Specifications

Description: Rail mount terminal block.

Center Spacing: 0.250" (6.35).

Circuit Jumper: JN4, 4 circuits.

Screw Size: #6-32.

Poles: 4

Circuits Per Foot: 48

Wire Range: AWG #10-22 CU.

Ratings:

Volts: — 600V

Amps: — 0-30A

Agency Information: CE, UL E62622; CSA LR15364.

Flammability Rating: UL 94V2.

Marking Tape: MTC6.

Torque Rating: 18 in-lb max.

Mounting Options: 35mm DIN rail, C-rail.

Catalog Numbers

Numbers	Colors
NDNV4-WH	WH - White (Standard)
NDNV4-BK	BK - Black



NDN3-__ __ (color)

Specifications

Description: Rail mount terminal block.

Center Spacing: 0.300" (7.62).

Circuit Jumper: JNDN3, 2 circuits.

Screw Size: #6-32.

Poles: 3

Circuits Per Foot: 38

Wire Range: AWG #10-22 CU.

Ratings:

Volts: — 600V

Amps: — 0-30A (field wiring)

— 0-30A (factory wiring)

Agency Information: CE, UL E62622; CSA LR15364.

Flammability Rating: UL 94V2

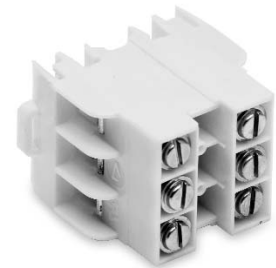
Marking Tape: MT12-½.

Torque Rating: 18 in-lb max.

Mounting Options: 35mm DIN rail, C-rail.

Catalog Numbers

Numbers	Colors
NDN3-WH	WH - White (Standard)
NDN3-BK	BK - Black



NDN63-__ __ (color)

Specifications

Description: Rail mount terminal block.

Center Spacing: 0.375" (9.52).

Circuit Jumper: JN3, 2 circuits.

Screw Size: #10-32.

Poles: 3

Circuits Per Foot: 30

Wire Range: AWG #6-18 CU.

Ratings:

Volts: — 600V

Amps: — 0-65A

Agency Information: CE, UL E62622; CSA LR15364.

Flammability Rating: UL 94V2

Marking Tape: MT12-½.

Torque Rating: 35 in-lb max.

Mounting Options: 35mm DIN rail, C-rail.

Catalog Numbers

Numbers	Colors
NDN63-WH	WH - White (Standard)
NDN63-BK	BK - Black

Rail mount terminal blocks

NDN1-WH

Specifications

Description: Rail mount terminal block.

Center Spacing: 0.635" (16.13mm).

Circuit Jumper: JN1, 2 circuits.

Screw Size: ¼"-28.

Poles: 1

Circuits Per Foot: 18

Wire Range: AWG #2-18 CU.

Ratings:

Volts: — 600V

Amps: — 0-90A

Agency Information: CE, UL E62622; CSA LR15364.

Flammability Rating: UL 94V2.

Marking Tape: MT12-½.

Torque Rating: 32 in-lb max.

Mounting Options: 35mm DIN rail, C-rail (Dove-tail option is available for mounting side-by-side. Order part no. NDN1A-WH).

Catalog Numbers

Catalog

Number	Color
NDN1-WH	White



NDN111-__ __ (color)

Specifications

Description: Rail mount terminal block.

Center Spacing: 0.635" (16.13mm).

Circuit Jumper: JN1, 2 circuits.

Screw Size: ¼"-28.

Poles: 3

Circuits Per Foot: 18

Wire Range: AWG #2-18 CU.

Ratings:

Volts: — 600V

Amps: — 0-90A

Agency Information: CE, UL E62622; CSA LR15364.

Flammability Rating: UL 94V2.

Marking Tape: MT12-½.

Torque Rating: 32 in-lb max.

Mounting Options: 35mm DIN rail, C-rail, Base Mount. (Dove tail option is available for mounting side-by-side. Order part no. NDN111A-WH).

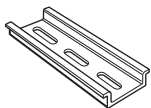
Catalog Numbers

Catalog

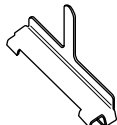
Numbers	Colors
NDN111-WH	White (Standard)
NDN111-BK	Black
NDN111A-WH	White
NDN111A-BK	Black (Standard)



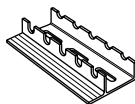
NDN Series Terminal Block Accessories



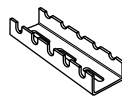
NDNA
35mm DIN rail
Aluminum
NDNA 100 1 meter
NDNA 200 2 meters



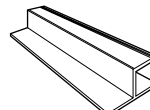
NDNAS
35mm DIN rail
End Stop



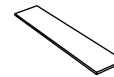
NFTA
C-rail
Aluminum
NFTA36
36" long
NFTA72
72" long



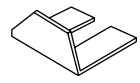
NRA37 ½
C-rail
Low profile
No flange
Aluminum
37 ½" length



SOA72
72" long
Stand-Off Channel
for C-rail



MARKING TAPE
See series specifications



JUMPERS
See series specifications

Rail mount terminal blocks

N512-BK

Specifications

Description: Rail mount terminal block.

Center Spacing: 0.197" (5.00).

Circuit Jumper: JN512, 12 circuits.

Screw Size: #4-48.

Poles: 12

Circuits Per Foot: 60

Wire Range: AWG #12-22 CU.

Ratings:
Volts: — 300V (20A)
— 600V (5A)
Amps: — 20A (300V)
— 5A (600V)

Agency Information: CE, UL E62622; CSA LR15364.

Flammability Rating: UL 94V2

Marking Tape: AT512.

Torque Rating: 12 in-lb max.

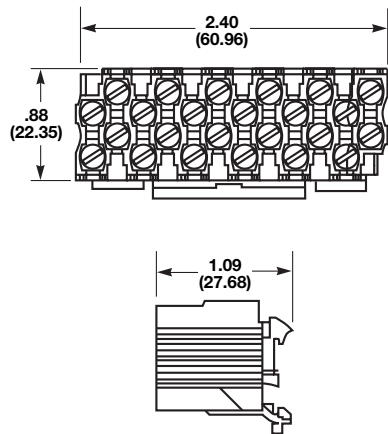
Mounting Options: C-rail, 15mm DIN rail.



Catalog Numbers

Number	Color
N512-BK	Black

Dimensions - in (mm)



NFT2-WH

Specifications

Description: Rail mount terminal block.

Center Spacing: 0.281" (7.13).

Circuit Jumper: JN2, 2 circuits.

Screw Size: #8-32.

Poles: 2

Circuits Per Foot: 38

Wire Range: AWG #8-22 CU.

Ratings:
Volts: — 600V
Amps: — 40A
— 55A (factory wired)

Agency Information: CE, UL E62622; CSA LR15364.

Flammability Rating: UL 94V2.

Marking Tape: MT12-½.

Torque Rating: 18 in-lb max.

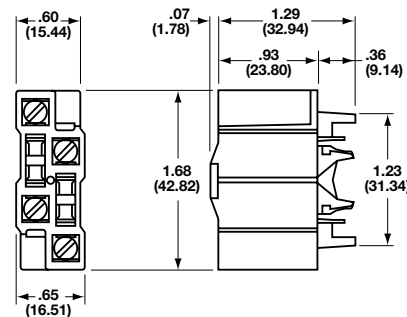
Mounting Options: C-rail.



Catalog Numbers

Numbers	Colors
NFT2-WH	White

Dimensions - in (mm)



NFT3-__ (color)

Specifications

Description: Rail mount terminal block.

Center Spacing: 0.390" (9.91).

Circuit Jumper: JN3, 2 circuits.

Screw Size: #8-32.

Poles: 3

Circuits Per Foot: 28

Wire Range: AWG #8-22 CU.

Ratings:
Volts: — 600V
Amps: — 40A
— 55A (factory wired)

Agency Information: CE, UL E62622; CSA LR15364.

Flammability Rating: UL 94V2.

Marking Tape: MT12-½.

Torque Rating: 18 in-lb max.

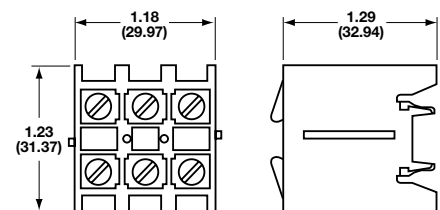
Mounting Options: C-rail.



Catalog Numbers

Numbers	Colors
NFT3-WH	White (Standard)
NFT3-BK	Black

Dimensions - in (mm)



Rail mount terminal blocks

NC3-WH

Specifications

Description:

Rail mount terminal block.

Center Spacing:

1.06" (26.92).

Circuit Jumper: JN3, 2 circuits.

Screw Size: 5/16"-24.

Poles: 3

Circuits Per Foot: 11

Wire Range: 2/0-#14 CU/AL.

Ratings:

Volts: — 600V

Amps: — 175A

Agency Information: CE, UL E62622; CSA LR15364.

Flammability Rating: UL 94V2.

Marking Tape: MT12-1/2.

Torque Rating: 45 in-lb max.

Mounting Options: C-rail, base mount.

Catalog Numbers

Catalog

Number	Color
NC3-WH	White



NSE3-WH

Specifications

Description:

Rail mount terminal block.

Center Spacing:

1.06" (26.92).

Circuit Jumper: JN3, 2 circuits.

Screw Size: 1/4"-28.

Poles: 3

Circuits Per Foot: 11

Wire Range: For use with wire crimped to ring terminal.

Ratings:

Volts: — 600V

Amps: — 115A

Agency Information: CE, UL E62622; CSA LR15364.

Flammability Rating: UL 94V2.

Marking Tape: MT12-1/2.

Mounting Options: C-rail, base mount.

Catalog Numbers

Catalog

Number	Color
NSE3-WH	White



NSS3-WH

Specifications

Description:

Rail mount terminal block.

Center Spacing:

0.385" (9.77).

Circuit Jumper: JNSS3, 2 circuits.

Screw Size: #6-32.

Poles: 3

Circuits Per Foot: 28

Wire Range: For use with wire crimped to ring terminal.

Ratings:

Volts: — 600V

Amps: — 30A

Agency Information: CE, UL E62622; CSA LR15364.

Flammability Rating: UL 94V2.

Marking Tape: MT12-1/2.

Mounting Options: C-rail.

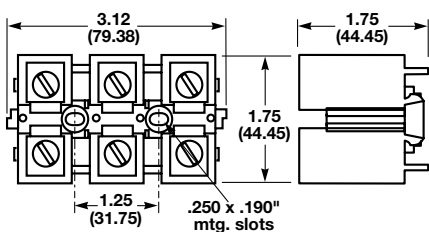
Catalog Numbers

Catalog

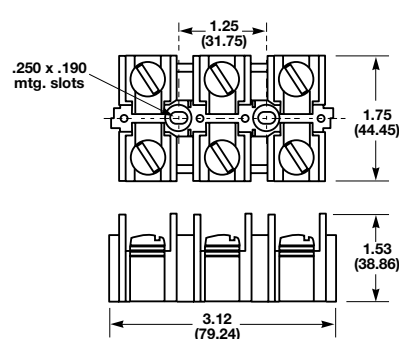
Number	Color
NSS3-WH	White



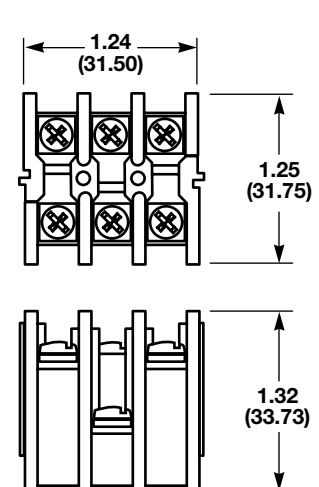
Dimensions - in (mm)



Dimensions - in (mm)



Dimensions - in (mm)



Rail mount disconnect terminal blocks

15188 Series

Specifications

Description: Disconnect terminal blocks for 35mm DIN rail mount.

Ratings:

Volts: — 600V

Amps: — 30A*

Center Spacing: 0.375" (9.52mm).

Wire Range: #12-16 AGW CU.

Screw Size: #6-32 zinc-plated phillslot.

Poles: 3- and 4-pole only.

Mounting: 35mm DIN Rail.

Optional End Stop NDNAS (shown on page 273)

Jumpers: 2- through 4-pole available.

Construction: Molded thermoplastic base, tin-plated copper alloy contacts.

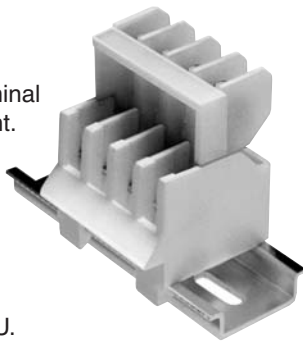
Torque Rating: 12 in-lb.

Operating Temperature: 105°C.

Agency Information: UL/CSA; CE Certified.

Flammability Rating: UL 94V0.

* 30A rating achieved with #10AWG wire crimped to ring terminal; 25A without.

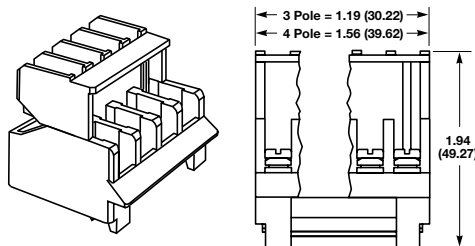


Catalog Number Build-A-Code

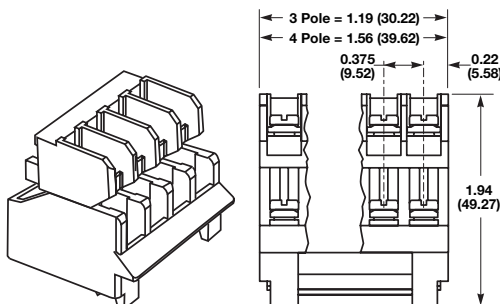
Series	Poles	Wiring	Optional End Stop
15188	3 to 4	Blank - Inline R - Reverse	S - Locking snap

Dimensions - in (mm)

In-Line Wiring Direction



Reverse Wiring Direction



15288 Series

Specifications

Description: Disconnect terminal blocks for 35mm DIN rail mount.

Rating:

Volts: — 600V*

Amps: — 65A

Center Spacing: 0.54" (13.7mm).

Wire Range: #6-16 AWG.

Screw Size: #8-32 zinc-plated phillslot.

Poles: 3-pole only.

Mounting: 35mm DIN Rail.

Optional End Stop NDNAS (shown on page 273)

Construction: Molded thermoplastic base, tin-plated copper alloy contacts.

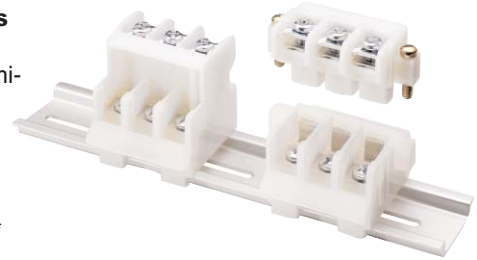
Torque Rating: 20 in-lb (30 in-lb for 8 AWG bare wire).

Operating Temperature: 105°C (221°F).

Agency Information: UL/CSA E62622; CE Certified.

Flammability Rating: UL 94V2.

*CSA rating achieved with #6 AWG wire crimped to ring terminal 50A without.

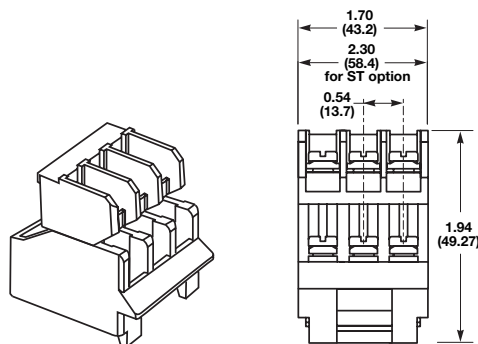


Catalog Number Build-A-Code

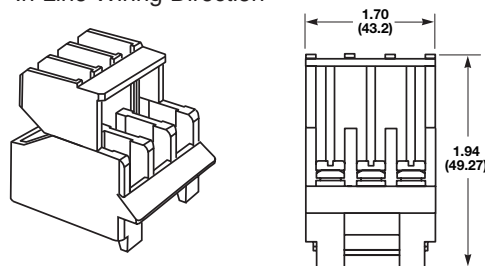
Series	Wiring	Options
15288	Blank - Inline R - Reverse	S - Snap ST - Screw together SS - Solid DIN rail snap

Dimensions - in (mm)

Reverse Wiring Direction



In-Line Wiring Direction



Sectional terminal blocks

PLU3-__ (color)

Specifications

Description:

Depluggable rail mount sectional terminal block.

Center Spacing:

0.390" (9.91).

Circuit Jumper: JN3, 2 circuits.

Screw Size: #8-32.

Poles: 3

Circuits Per Foot: 28

Wire Range: AWG #8-22 CU.

Ratings:

Volts: — 600V

Amps: — 40A

Agency Information: CE, UL E62622; CSA LR15364.

Flammability Rating: UL 94V2.

Marking Tape: MT12-½.

Torque Rating: 18 in-lb max.

Mounting Options: C-rail, stackable.

Catalog Numbers

Catalog

Numbers	Colors
PLU3-WH	White (Standard)
PLU3-BK	Black



PLU1-WH

Specifications

Description:

Depluggable rail mount sectional terminal block.

Center Spacing:

0.625" (15.88).

Circuit Jumper: JN1, 2 circuits.

Screw Size: ¼"-28.

Poles: 1- to 3-Poles.

Circuits Per Foot: 19

Wire Range: AWG #4-18 CU.

Ratings:

Volts: — 600V

Amps: — 70A

Agency Information: CE, UL E62622; CSA LR15364.

Flammability Rating: UL 94V2.

Marking Tape: MT12-½.

Torque Rating: 32 in-lb max.

Mounting Options: C-rail, stackable.

Catalog Numbers

Catalog

Numbers	Poles	Colors
PLU1-WH	1	White
PLU11-WH	2	White
PLU111-WH	3	White



PSU1-WH

Specifications

Description:

Depluggable rail mount sectional terminal block.

Center Spacing: 0.625" (15.88).

Circuit Jumper: JN1, 2 circuits.

Screw Size: #10-32.

Poles: 1- to 3-Poles.

Circuits Per Foot: 19

Wire Range: For use with crimp on connectors only.

Ratings:

Volts: — 600V

Amps: — 45A*

*45A rating achieved with ring terminal crimped to wire.

Agency Information: CE, UL E62622; CSA LR15364.

Flammability Rating: UL 94V2.

Marking Tape: MT12-½.

Torque Rating: 32 in-lb max.

Mounting Options: C-rail, stackable.

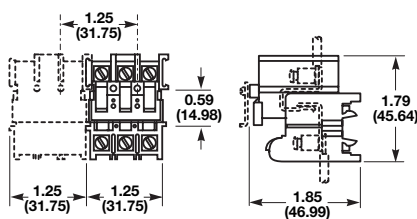
Catalog Numbers

Catalog

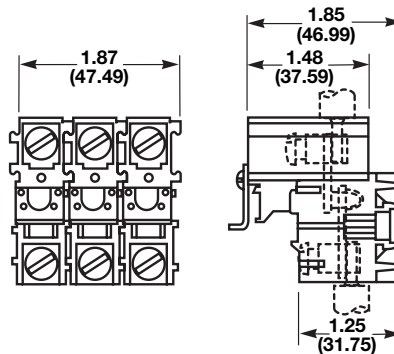
Numbers	Poles	Colors
PSU1-WH	1	White
PSU11-WH	2	White
PSU111-WH	3	White



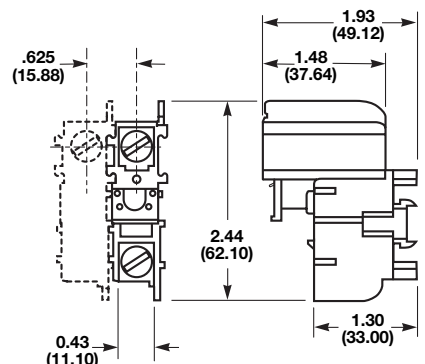
Dimensions - in (mm)



Dimensions - in (mm)



Dimensions - in (mm)



Sectional terminal blocks

KT3-WH

Specifications

Description:

Depluggable rail mount sectional terminal block.

Center Spacing:

0.390" (9.91).

Circuit Jumper:

JN3, 2 circuits.

Screw Size: #8-32.

Poles: 3

Circuits Per Foot: 28

Wire Range: AWG #8-22 CU.

Ratings:

Volts: — 600V

Amps: — 40A

Agency Information: CE, UL E62622; CSA LR15364.

Flammability Rating: UL 94V2.

Marking Tape: MT12-½.

Torque Rating: 18 in-lb max.

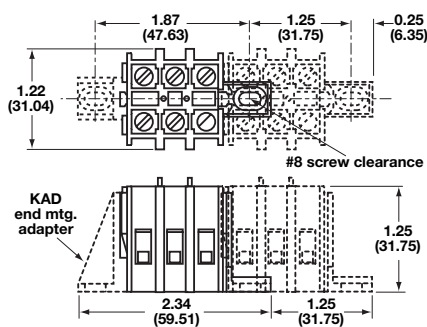
Mounting Options: Base mount, stackable. KAD end mount adapter optional.

Catalog Numbers

Number	Color
KT3-WH	White



Dimensions - in (mm)



KT4-WH

Specifications

Description:

Depluggable rail mount sectional terminal block.

Center Spacing:

0.250" (6.35).

Circuit Jumper: JN4, 4 circuits.

Screw Size: #6-32.

Poles: 4

Circuits Per Foot: 48

Wire Range: AWG #10-22 CU.

Ratings:

Volts: — 600V

Amps: — 30A

Agency Information: CE, UL E62622; CSA LR15364.

Flammability Rating: UL 94V2.

Marking Tape: MTC6.

Torque Rating: 18 in-lb max.

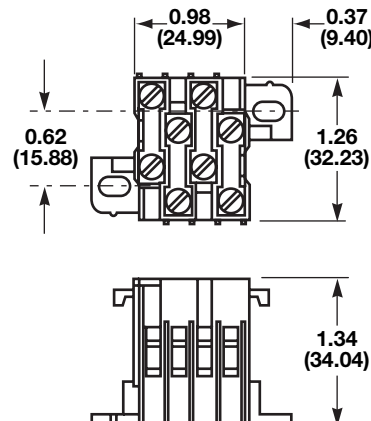
Mounting Options: Base mount., Mounting screws recommended every 12 circuits.

Catalog Numbers

Number	Color
KT4-WH	White



Dimensions - in (mm)



PLK3-__ (color)

Specifications

Description:

Depluggable rail mount sectional terminal block.

Center Spacing:

0.390" (9.91).

Circuit Jumper: JN3, 2 circuits.

Screw Size: #8-32.

Poles: 3

Circuits Per Foot: 28

Wire Range: AWG #8-22 CU.

Ratings:

Volts: — 600V

Amps: — 40A

Agency Information: CE, UL E62622; CSA LR15364.

Flammability Rating: UL 94V2.

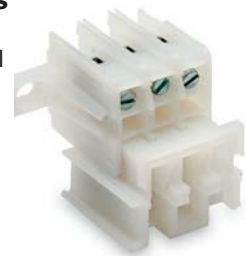
Marking Tape: MT12-½.

Torque Rating: 18 in-lb max.

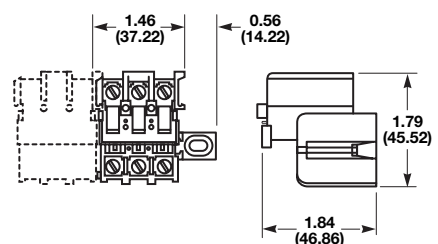
Mounting Options: Base mount, stackable. End Piece (Part No. KAD) is required for mounting. Mounting screws recommended every 15 circuits.

Catalog Numbers

Number	Color
PLK3-WH	White



Dimensions - in (mm)



Quick-connect terminal blocks

NTQ23-WH

Specifications

Description:

Quick connect terminal block.

Center Spacing:

0.390" (9.91).

Screw Size: #8-32.

Poles: 3

Circuits Per Foot: 28

Wire Range: AWG #8-22 CU.

Ratings:

Volts: — 600V

Amps: — 40A

Agency Information: CE, UL

E62622; CSA LR15364.

Flammability Rating: UL 94V2.

Marking Tape: MT12-½

Torque Rating: 18 in-lb max.

Mounting Options: C-rail.

Catalog Numbers

Catalog

Number	Color
NTQ23-WH	White



BNQ21-WH

Specifications

Description:

Quick connect terminal block.

Quick Connects:

0.250" X .031".

Center Spacing: 0.437" (11.10).

Screw Size: #8-32.

Poles: 1

Circuits Per Foot: 24

Wire Range: AWG #8-22 CU.

Ratings:

Volts: — 600V

Amps: — 40A

Agency Information: CE, UL

E62622; CSA LR15364.

Flammability Rating: UL 94V2.

Torque Rating: 18 in-lb max.

Mounting Options: Base mount, stackable. End Piece (Cat. No. BQE) is required for mounting. Mounting screws recommended every 8 circuits.

Catalog Numbers

Catalog

Number	Color
BNQ21-WH	White



BQQ41-WH

Specifications

Description:

Quick connect terminal block.

Quick

Connects:

0.250" x .031".

Center Spacing: 0.437" (11.10).

Screw Size: #8-32.

Poles: 1

Circuits Per Foot: 24

Wire Range: For use with quick connect terminals only.

Ratings:

Volts: — 600V

Amps: — 30A

Agency Information: CE, UL

E62622; CSA LR15364.

Flammability Rating: UL 94V2.

Mounting Options: Base mount, stackable. End Piece (Cat. No. BQE) is required for mounting. Mounting screws recommended every 8 circuits.

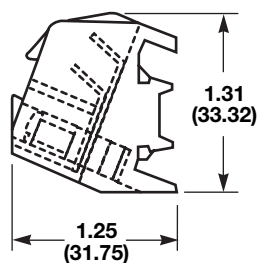
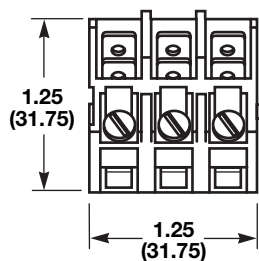
Catalog Numbers

Catalog

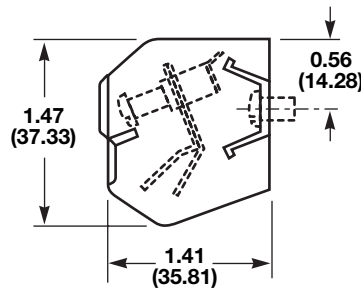
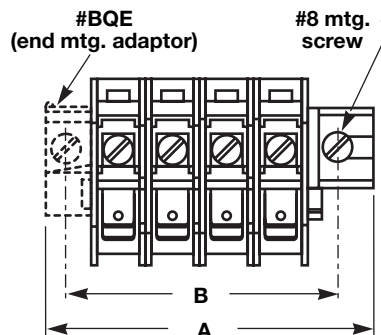
Number	Color
BQQ41-WH	White



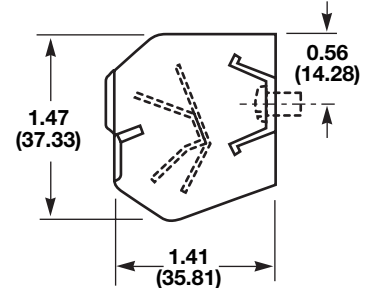
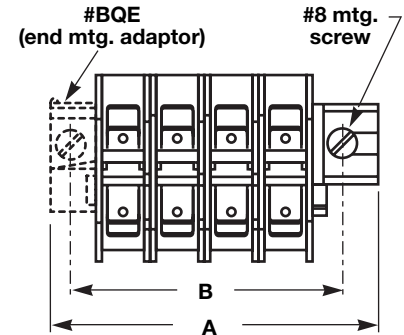
Dimensions - in (mm)



Dimensions - in (mm)



Dimensions - in (mm)



Double row terminal blocks

Series TB100

Specifications

Description: Double row terminal blocks.

Ratings:

Volts: — 300V*

Amps: — 30A*

Center Spacing: 0.375" or 3/8" (9.52mm).

Wire Range: #14 - 22 AWG CU.

Screw Size: #6-32 phillslot screws.

Poles: 2 to 36.

Torque Rating: 9 in-lb.

Distance Between Barriers: 0.30" (7.62mm).

Mounting: #6 screws.

Operating Temperature: +130/-40°C (+266/-40°F).

Construction: Molded, black thermoplastic base, tin-plated brass terminals with zinc-plated steel screws.

Breakdown Voltage: 3600V.

Agency Information: UL/CSA; IEC Compliance; CE Certified.

Flammability Rating: UL 94V0.

* Max rating shown; some options may be rated lower, consult Cooper Bussmann.

Dimensions - in

Poles	A	B	Poles	A	B	Poles	A	B
02	1.40	1.12	14	5.90	5.62	26	10.40	10.12
03	1.78	1.50	15	6.28	6.00	27	10.78	10.50
04	2.16	1.88	16	6.66	6.38	28	11.16	10.88
05	2.53	2.25	17	7.03	6.75	29	11.53	11.25
06	2.90	2.62	18	7.40	7.12	30	11.90	11.62
07	3.28	3.00	19	7.78	7.50	31	12.28	12.00
08	3.66	3.38	20	8.16	7.88	32	12.66	12.38
09	4.03	3.75	21	8.53	8.25	33	13.03	12.75
10	4.40	4.12	22	8.90	8.62	34	13.40	13.12
11	4.78	4.50	23	9.28	9.00	35	13.78	13.50
12	5.16	4.88	24	9.66	9.38	36	14.16	13.88
13	5.53	5.25	25	10.03	9.75			

1" = 25.4mm.

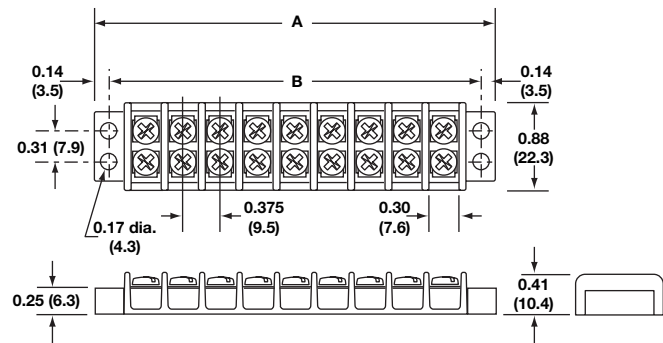


TB100-08



TB100-04SP

TB100- in (mm)



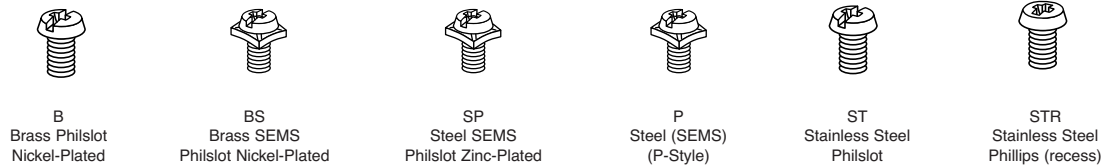
Catalog Number Build-A-Code

Series	Poles	Screw Options	Marking	Hardware Options
TB100	□ □ 02 to 36	□ □ □ Blank = Steel phillslot, zinc-plated 00 = Screws shipped bulk B = Brass phillslot, nickel-plated BS = Brass Sems phillslot, nickel-plated SP = Steel Sems phillslot, zinc-plated P = Steel Sems (P-style) ST = Stainless steel, phillslot STR = Stainless steel, phillips (recess)	□ □ L1 to L6 (See page 296) Marker strips (See page 297) Covers (See page 296)	□ □ □ □ QC1 to QC20 = Quick connects J101 = Flat slip-on jumper (2 position only) 0J2 = Over barrier jumpers 0J4 = Over barrier jumpers

Wire Connection Products

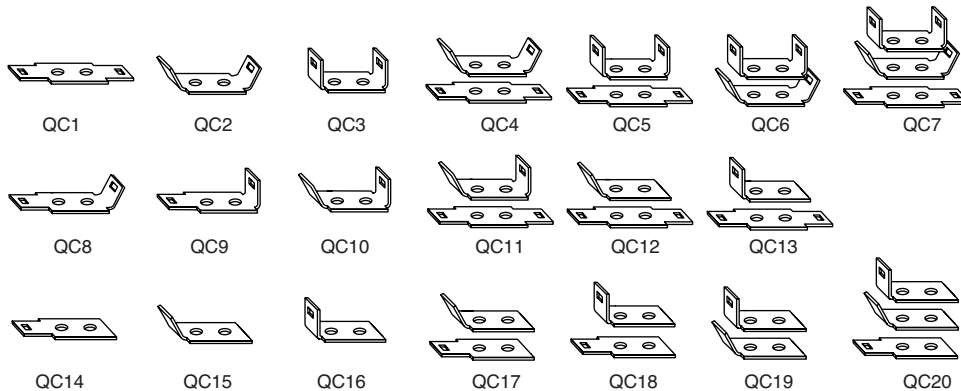
Double row terminal blocks

Screw Options

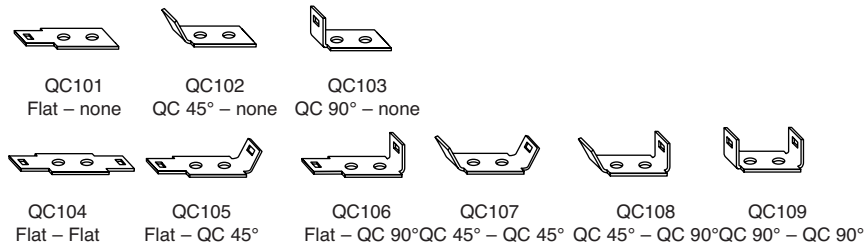


Hardware Options

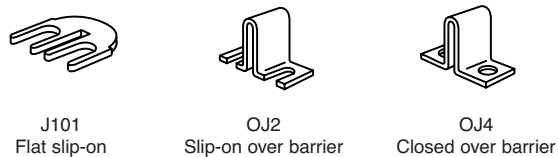
Quick Connects – Assembled: Terminals 0.187" x 0.020". Maximum current rating 13 amps. For other orientations, contact Cooper Bussmann.



Quick Connects – Bulk: minimum order per part number – 100 pieces.



Jumpers – Bulk: minimum order per part number – 100 pieces. Contact Cooper Bussmann for jumper assembly.



Wire Connection Products

Double row terminal blocks

Series TB200 & TB200HB

Specifications

Description: Double row terminal blocks.

Ratings:

- Volts: — 300V* (TB200)
- 600V* (TB200HB)

Amps: — 30A*

Center Spacing: 0.437" or 7/16" (11.10 mm).

Wire Range: #12 - 22 AWG CU.

Screw Size: #6-32 phillslot screws.

Poles: 2 to 30.

Torque Rating: 9 in-lb.

Distance Between Barriers: 0.353" (8.97mm).

Mounting: #6 screws.

Operating Temperature: +130/-40°C (+266/-40°F).

Construction: Molded, black thermoplastic base with tin-plated brass terminals and zinc-plated steel screws.

Breakdown Voltage: 4800V.

Agency Information: UL/CSA; IEC Compliance; CE Certified.

Flammability Rating: UL 94V0.

* Max rating shown; some options may be rated lower - consult factory.

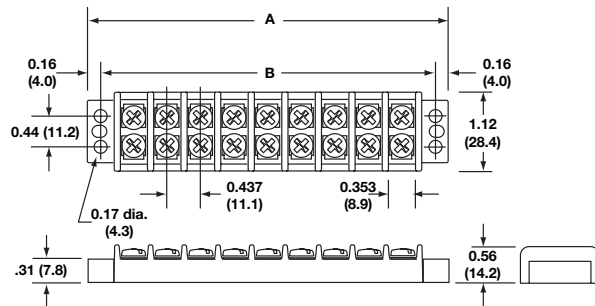
Dimensions - in

Poles	A	B	Poles	A	B	Poles	A	B
02	1.63	1.31	12	6.00	5.68	22	10.37	10.06
03	2.07	1.75	13	6.44	6.12	23	10.81	10.50
04	2.51	2.18	14	6.87	6.56	24	11.25	10.93
05	2.94	2.62	15	7.31	7.00	25	11.68	11.37
06	3.38	3.06	16	7.75	7.43	26	12.12	11.81
07	3.82	3.50	17	8.19	7.87	27	12.56	12.25
08	4.25	3.93	18	8.62	8.31	28	13.00	12.68
09	4.69	4.37	19	9.06	8.75	29	13.44	13.12
10	5.13	4.81	20	9.50	9.18	30	13.87	13.56
11	5.57	5.25	21	9.94	9.62			

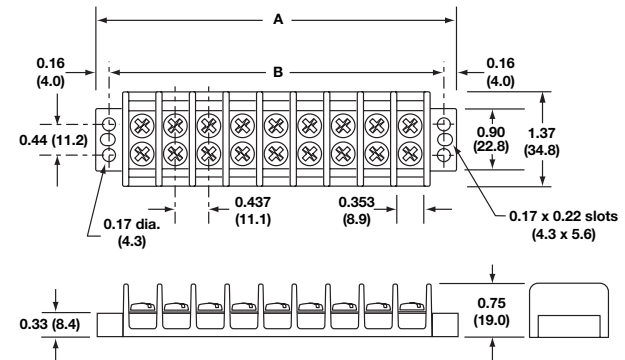
1" = 25.4mm.



TB200 - in (mm)



TB200HB



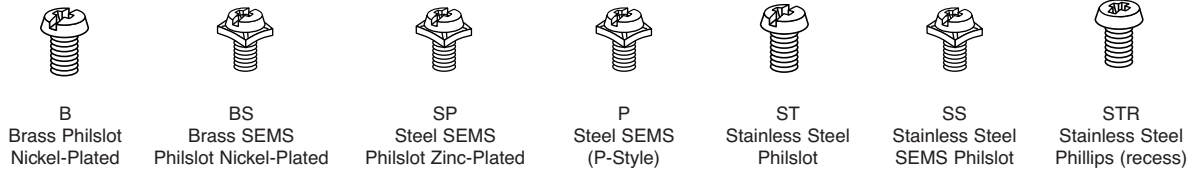
Catalog Number Build-A-Code

Series	Poles	Screw Options	Marking	Hardware Options
TB <input type="checkbox"/> <input type="checkbox"/> <input type="checkbox"/> <input type="checkbox"/> <input type="checkbox"/>	<input type="checkbox"/> <input type="checkbox"/>	<input type="checkbox"/> <input type="checkbox"/>	<input type="checkbox"/> <input type="checkbox"/>	<input type="checkbox"/> <input type="checkbox"/> <input type="checkbox"/> <input type="checkbox"/>
200 = Standard 200HB = High barrier	02 to 30	Blank = Steel phillslot, zinc-plated 00 = Screws shipped bulk B = Brass phillslot, nickel-plated BS = Brass Sems phillslot, nickel-plated SP = Steel Sems phillslot, zinc-plated P = Steel Sems (P-style) ST = Stainless steel, phillslot SS = Stainless steel Sems, phillslot STR = Stainless steel, phillips (recess)	L1 to L6 - (See page 296) Marker strips (See page 297) Covers (See page 296)	QC1 to QC20 = Quick connects J201 = Flat slip-on jumper (2 position only) OJ3 = Over barrier jumpers OJ5 = Over barrier jumpers OJ7 = Over barrier jumpers

Wire Connection Products

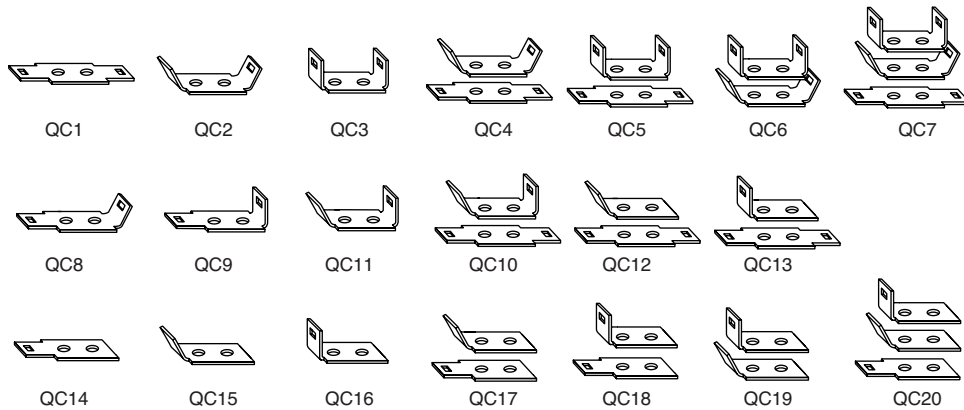
Double row terminal blocks

Screw Options

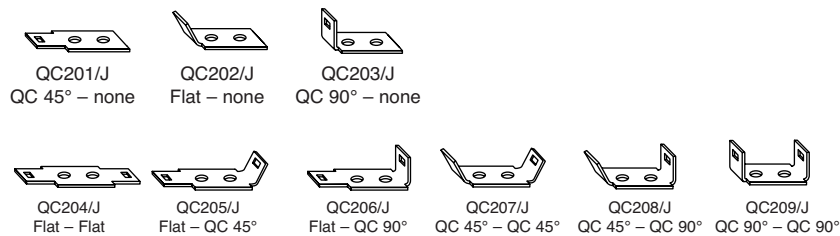


Hardware Options

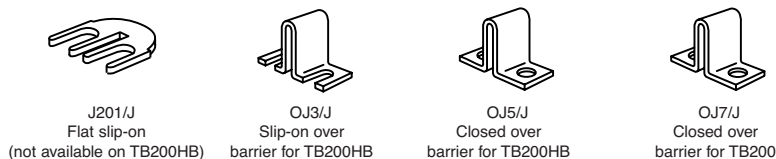
Quick Connects – Assembled: Terminals 0.25" x 0.031". Maximum current rating 20 amps. For other orientations, contact Cooper Bussmann.



Quick Connects – Bulk: minimum order per part no. – 100 pieces.



Jumpers – Bulk: minimum. order per part no. – 100 pieces. Contact Cooper Bussmann for jumper assembly.



Wire Connection Products

Double row terminal blocks

Series TB300 & TB345

Specifications

Description: Double row terminal blocks.

Ratings:

- Volts: — 600V*
- Amps: — 30A* (TB300)
- 45A (TB345)

Center Spacing: 0.562" or 5/8" (14.28mm).

Wire Range: #8 - 22 AWG CU.

Screw Size: TB300 — #8-32 phillslot screws
TB345 — #10-32 phillslot screws

Poles: 2 to 24.

Torque Rating: #8 screws - 16 in-lb;
#10 screws - 20 in-lb

Distance Between Barriers: 0.41" (10.5mm).

Mounting: TB300 — #8 screws; TB345 — #10 screws.

Operating Temperature: +130/-40°C (+266/-40°F).

Construction: Molded, black thermoplastic base with tin-plated brass terminals and zinc-plated steel screws.

Breakdown Voltage: 7500V.

Agency Information: UL/CSA; IEC Compliance; CE Certified.

Flammability Rating: UL 94V0.

* Max rating shown; some options may be rated lower - consult Cooper Bussmann.

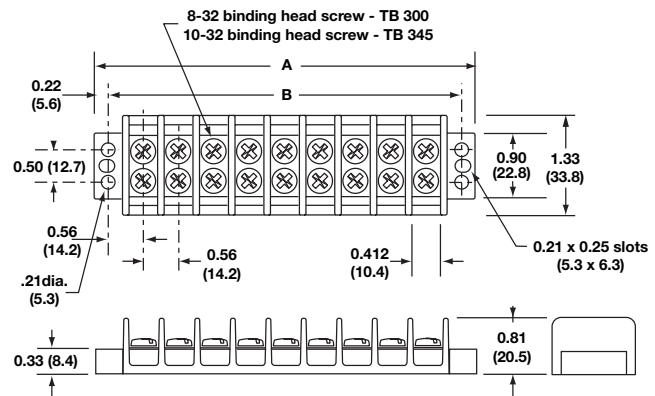
Dimensions - in

Poles	A	B	Poles	A	B	Poles	A	B
02	2.13	1.69	10	6.62	6.19	18	11.12	10.68
03	2.69	2.25	11	7.18	6.75	19	11.68	11.25
04	3.25	2.81	12	7.75	7.31	20	12.24	11.81
05	3.81	3.37	13	8.31	7.87	21	12.80	12.37
06	4.37	3.94	14	8.87	8.44	22	13.37	12.93
07	4.94	4.50	15	9.43	9.00	23	13.93	13.50
08	5.50	5.06	16	9.99	9.56	24	14.49	14.06
09	6.06	5.62	17	10.56	10.12			

1" = 25.4mm.



TB300 & TB345 - in (mm)



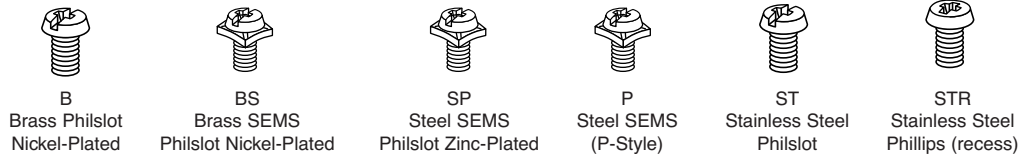
Catalog Number Build-A-Code

Series	Poles	Screw Options	Marking	Hardware Options
TB — <input type="checkbox"/> <input type="checkbox"/> <input type="checkbox"/>	<input type="checkbox"/> <input type="checkbox"/>	<input type="checkbox"/> <input type="checkbox"/> <input type="checkbox"/>	<input type="checkbox"/> <input type="checkbox"/>	<input type="checkbox"/> <input type="checkbox"/> <input type="checkbox"/> <input type="checkbox"/>
300 = 8-32 screw 345 = 10-32 screw	02 to 24	Blank = Steel phillslot, zinc-plated 00 = Screws shipped bulk B = Brass phillslot, nickel-plated BS = Brass Sems phillslot, nickel-plated (TB300 only) SP = Steel Sems phillslot, zinc-plated P = Steel Sems (P-style) ST = Stainless steel, phillslot STR = Stainless steel, phillips (recess)	L1 to L6 = (pg 296) Marker strips (pg 297) Covers (pg 296)	QC1 to QC20 = Quick connects (TB300 only) J301 = Flat slip-on jumper OJ6 = Over barrier jumper OJ11 = Over barrier jumper

Wire Connection Products

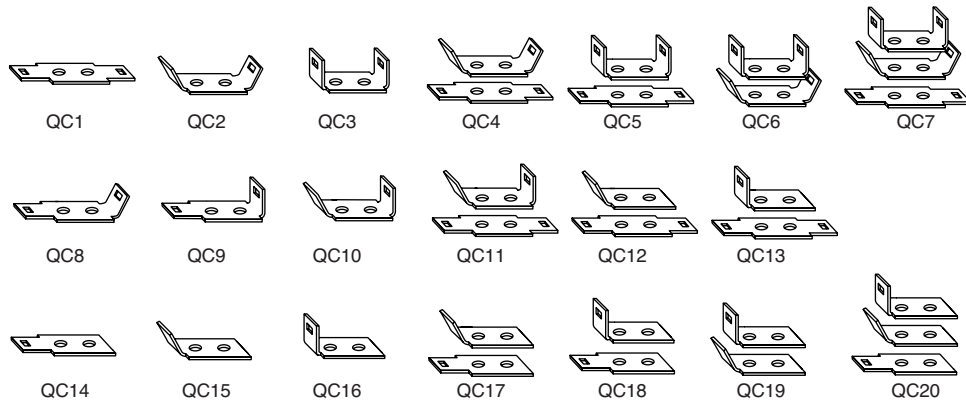
Double row terminal blocks

Screw Options

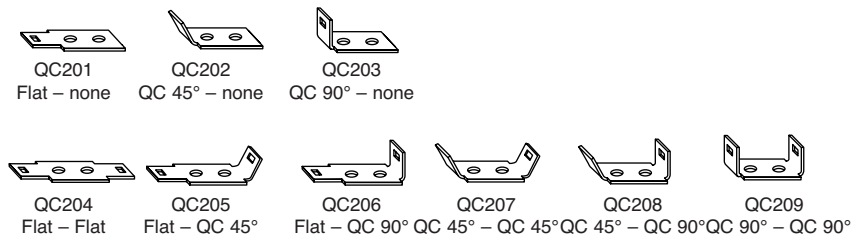


Hardware Options

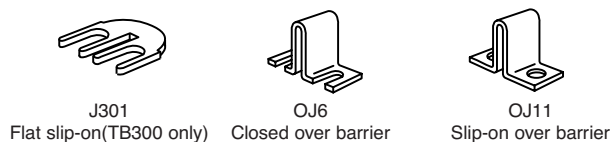
Quick Connects – Assembled: TB300 only. Terminals 0.25" x 0.031". Maximum current rating 20 amps. For other orientations, contact Cooper Bussmann.



Quick Connects – Bulk: (*TB300 only) minimum order per part number. – 100 pieces.



Jumpers – Bulk: minimum order per part number – 100 pieces. Contact Cooper Bussmann for jumper assembly.

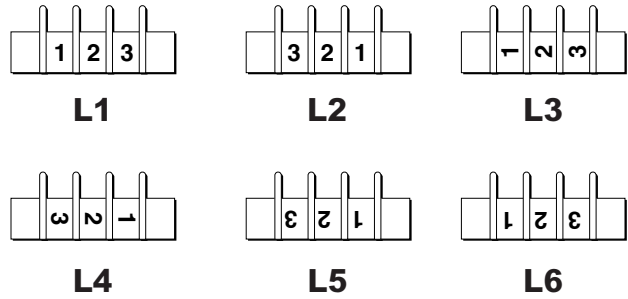


Marking options and covers for double row series

Standard Marking

Standard markings are applied directly to the side(s) of a block. Standard color is white. Standard height is 0.125 inches (3.17mm).

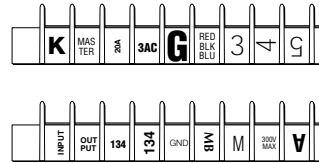
Note: Blocks marked on both sides require a different code for each side. Example Style L1 on one side of the block requires Style L2 on the other side to ensure common terminal marking. To order, add appropriate suffix (L1, L2, L3, L4, L5 and/or L6) to block catalog number in the proper sequence.



Special Marking

Special markings are available at an additional charge for preparation. Production charges for setup, handling and marking are the same as for standard marking. Drawing(s) must be submitted to ensure accuracy of part required. Consult Cooper Bussmann for price and delivery.

Note: Marking is not available on TB400 Series

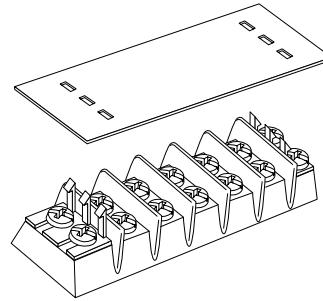


Covers

Covers prevent personnel, screws and foreign items from contacting live terminals. Available in white or clear plastic. Two cover clips supplied with each cover. Cover width is 1.31 inches (33.3mm).

All covers must be ordered separately. Consult Cooper Bussmann for special legends.

Example: 10 position cover, white, TB100 Series, no legends = Catalog Number **X12010**.



Catalog Number Build-A-Code

Series	Cover Strip	Poles
X	□ □ □ □ □ 120 = TB100/white 119 = TB100/clear 220 = TB200/white 220HB = TB200HB/white 219 = TB200/clear 219HB = TB200HB/clear 320 = TB300 & TB345/white 319 = TB300 & TB345/clear	□ □ 02 to 36 (TB100) 02 to 30 (TB200/TB200HB) 02 to 24 (TB300/TB345)

Note: Covers are not available on TB400 Series.

Cover Clip Catalog Numbers (Bulk)

- DD1 = TB100 Series (Specify quantity)
- DD2 = TB200 Series (Specify quantity)
- DD2HB = TB200HB Series (Specify quantity)
- DD3 = TB300 Series (Specify quantity)

Wire Connection Products

Top & bottom marking strips for double row terminal blocks

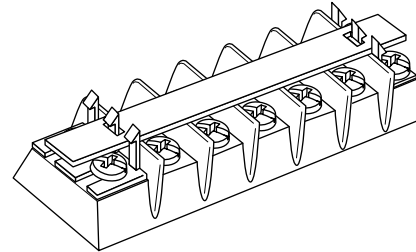
Top Marker Strips

Top mounting marker strips are available in white (opaque) plastic. Two cover clips are supplied with each marker strip.

All top marker strips must be ordered separately. Consult factory for special legends.

Example: 12 position cover, TB200, 0.032" x 0.312", with no legends = Catalog Number **X20312**.

Example: 12 position cover, TB200HB, 0.06" x 0.50", with no legends = Catalog Number **X23312HB**.



Catalog Number Build-A-Code

Series	Top Marker Strip	Poles
X	<input type="checkbox"/> <input type="checkbox"/> <input type="checkbox"/> <input type="checkbox"/> <input type="checkbox"/>	<input type="checkbox"/> <input type="checkbox"/>
	133 - TB100 (0.060 thk x 0.500 w)	02 to 36 (TB100)
	103 - TB100 (0.032 thk x 0.312 w)	02 to 30 (TB200/TB200HB)
	233 - TB200 (0.060 thk x 0.500 w)	02 to 24 (TB300/TB345)
	233TB - TB200HB (0.060 thk x 0.500 w)	
	203 - TB200 (0.032 thk x 0.312 w)	
	203HB - TB200HB (0.032 thk x 0.312 w)	
	333 - TB300 & TB345 (0.060 thk x 0.500 w)	
	303 - TB300 & TB345 (0.032 thk x 0.380 w)	
	Note: Marking Strips are not available on TB400 Series	

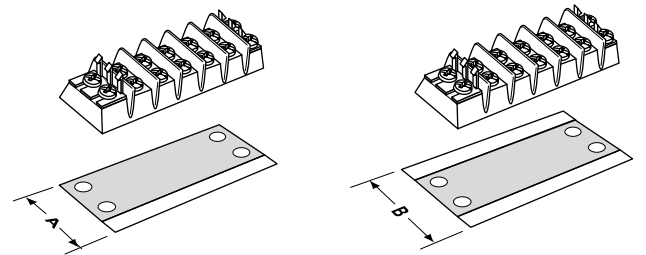
Bottom Marker Strips

Bottom mounting marker strips are made of black PVC, 0.030" thick. Space is available to handle most marking situations. All marker strips must be ordered separately.

To order, specify part number, required legends and (BF) bottom forward, (BR) bottom reverse, (TF) top forward, or (TR) top reverse. Consult factory for specials.

Example: 13 position strip, TB100 with no legends, space for marking one side = Catalog Number **X10513**.

Position for legends (one side, two sides) can be specified standard. Standard legend height is 0.125". Standard leg-ends are 0-99 and A-Z. Special legends are available on special order. Drawing(s) must be submitted to ensure accuracy of part required.



Space for marking one side

Space for marking two sides

Dimensions (in)

Dim.	TB100	TB200	TB200HB	TB300	TB345	TB400
A	1.13	1.37	1.62	1.58	1.58	N/A
B	1.38	1.62	1.81	1.81	1.81	N/A

Wire Management Products

Catalog Number Build-A-Code

Series	Bottom Marker Strip	Poles	Orientation
X	<input type="checkbox"/> <input type="checkbox"/> <input type="checkbox"/>	<input type="checkbox"/> <input type="checkbox"/>	<input type="checkbox"/> <input type="checkbox"/>
	105 = TB100/marketing one side	02 to 36 (TB100)	BF = Bottom forward
	101 = TB100/marketing both sides	02 to 30 (TB200/TB200HB)	BR = Bottom reverse
	205 = TB200/marketing one side	02 to 24 (TB300/TB345)	TF = Top forward
	201 = TB200/marketing both sides		TR = Top reverse
	295 = TB200HB/marketing one side		
	291 = TB200HB/marketing both sides		
	305 = TB300 & TB345/marketing one side		
	301 = TB300 & TB345/marketing both sides		
	Note: Marking Strips are not available on TB400 Series.		

Double row terminal blocks

Series TB400

Specifications

Description: Double row terminal blocks.

Ratings:

Volts: — 600V

Amps: — 75A

Center Spacing: 0.687" or 11/16" (17.45mm).

Wire Range: #6-14 AWG CU.

Screw Size: #10-32 philslot screws.

Poles: 2 to 12.

Torque Rating: 20 in-lb.

Distance Between Barriers: 0.56" (14.3mm).

Mounting: #10 screws.

Operating Temperature: +130/-40°C (+266/-40°F).

Construction: Molded, black thermoplastic base with tin-plated brass terminals and zinc-plated steel screws.

Breakdown Voltage: 7500V.

Agency Information: UL/CSA; IEC Compliance; CE Certified.

Flammability Rating: UL 94V0.

Dimensions - in

Poles	A	B	Poles	A	B	Poles	A	B
02	2.51	2.06	06	5.26	4.81	10	8.01	7.56
03	3.20	2.75	07	5.95	5.50	11	8.70	8.25
04	3.89	3.44	08	6.64	6.19	12	9.39	8.94
05	4.58	4.13	09	7.33	6.88			

1" = 25.4mm.

Screw Options



B
Brass Philslot
Nickel-Plated



ST
Stainless Steel
Philslot



STR
Stainless Steel
Phillips (recess)

Hardware Options



OJ14: Closed over barrier

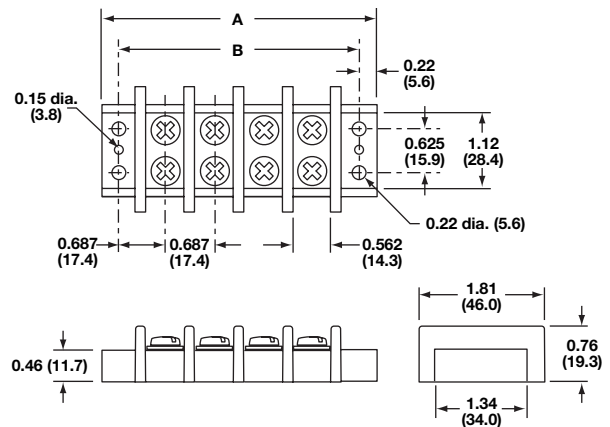
Catalog Number Build-A-Code

Series	Poles	Screw Options	Marking
TB400	<input type="checkbox"/> <input type="checkbox"/>	<input type="checkbox"/> <input type="checkbox"/>	
	02 to 12	Blank = Steel philslot, zinc-plated 00 = Screws shipped bulk B = Brass philslot, nickel-plated ST = Stainless steel, philslot STR = Stainless steel, phillips (recess)	Not available



TB400-05

TB400 - in (mm)



Base mount double row terminal blocks

Series KU

Specifications

Description: Base mount double row terminal blocks.

Ratings:

Volts: — 600V

Amps: — 60A*

Center Spacing: 0.625" (15.88mm).

Poles: 2-12.

Wire Range: #6-22 AWG CU.

Screw Size: #10-32 nickel-plated brass.

Torque Rating: 20 in-lb.

Distance Between Barriers: 0.437" (11.09mm).

Mounting: Base mount. For 35mm DIN rail mountable, add ND prefix.

Construction: Molded, black thermoplastic base with nickel-plated brass terminals.

Operating Temperature: 105°C max.

Agency Information: UL/CSA; CE Certified.

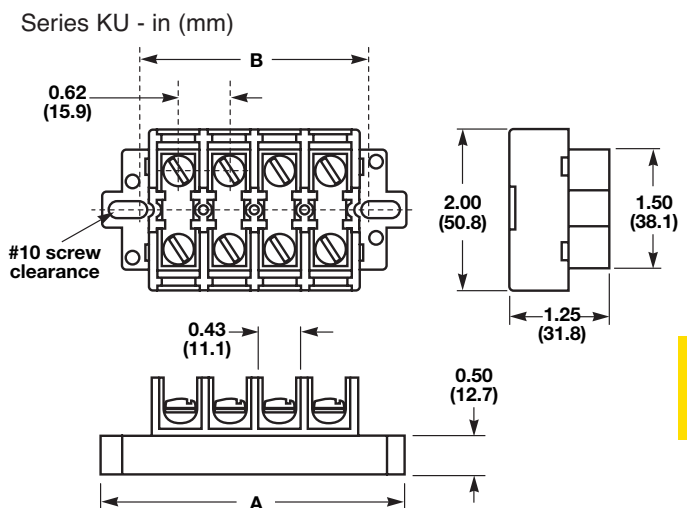
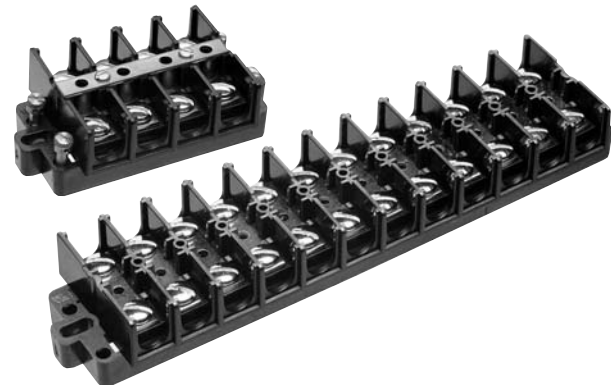
Flammability Rating: UL 94V0.

* 60A rating achieved with #6 copper wire crimped to ring terminal.

Dimensions - in

Poles	KU		KUX Only
	A	B	A
02	2.50	1.62	2.00
03	3.12	2.25	2.62
04	3.75	2.87	3.25
05	4.37	3.50	3.87
06	5.00	4.12	4.50
07	5.62	4.75	5.12
08	6.25	5.37	5.75
09	6.87	6.00	6.37
10	7.50	6.62	7.00
11	8.12	7.25	7.62
12	8.75	7.87	8.25

1" = 25.4mm.



Catalog Number Build-A-Code

Series	Poles	Screw Options	Covers	Marking Strip
<input type="checkbox"/> <input type="checkbox"/> <input type="checkbox"/> <input type="checkbox"/> <input type="checkbox"/>	<input type="checkbox"/> <input type="checkbox"/>	<input type="checkbox"/> <input type="checkbox"/>	<input type="checkbox"/> <input type="checkbox"/>	<input type="checkbox"/> <input type="checkbox"/> <input type="checkbox"/>
KU = Standard block KUH = Block KUX = Short block KUSC = Standard w/shorting strap & 4 shorting screws KURL = Standard w/removable link KUXSC = Short block w/shorting strap & 4 Shorting screws KUXRL = Short block w/removable link	02 to 12	00 = Screws shipped bulk W = Brass washer head, nickel-plated P = Steel screw w/pressure plate zinc-plated B = Brass washer head, no plating BP = Brass phillslot, nickel-plated	WC = Top cover & 2 end plates	MT = Matte finish NU = Numbered 1 to 12, horizontal NUV = Numbered 1 to 12, vertical PT = Marker strip for cover

Accessories

MTMU## Molded Marking Tape Matte Finish	NUM## Molded Marking Tape	JU12 Jumper 12 Circuits	NUE End Piece for NUC	NUC## Cover

Standard base terminal blocks

Series TS — 8.0, 10.0, 12.0, 13.5mm centers

Specifications

Description: 8, 10, 12 and 13.5mm center, standard base terminal blocks.

Construction: Mold to length polyamide type 6/6 housing, nickel-plated brass contacts and stainless steel wire protector.

Ratings:

- Volts: — 600V
- Amps: — 20A (TS08)
- 30A (TS10)
- 35A (TS12)
- 50A (TS14)

Wire Range: See Specifications table.

Screw Size: See Specifications table.

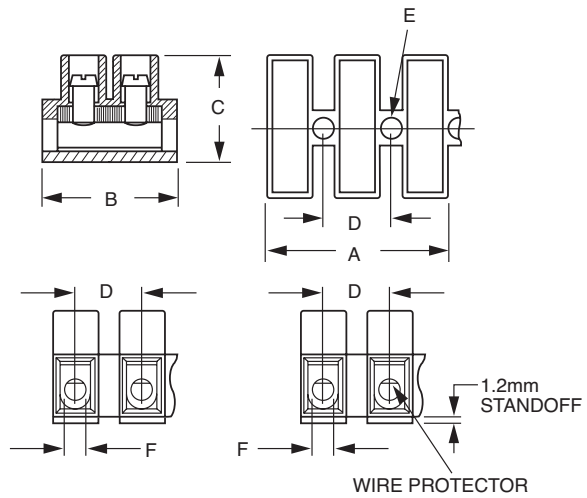
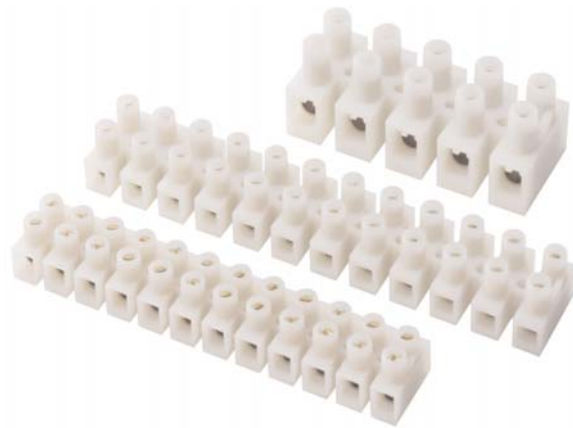
Poles: 2 to 12.

Torque Rating: See Specifications table.

Operating Temperature: +105/-30°C (+221/-22°F).

Agency Information: UL/CSA; CE Certified

Flammability Rating: UL 94V2(white)



A Dimensions - in (mm)

Poles	TS08	TS10	TS12	TS14
2	0.622 (15.8)	0.689 (17.5)	0.815 (20.7)	0.906 (23.0)
3	0.937 (23.8)	1.083 (27.5)	1.287 (32.7)	1.437 (36.5)
4	1.252 (31.8)	1.476 (37.5)	1.760 (44.7)	1.969 (50.0)
5	1.567 (39.8)	1.870 (47.5)	2.232 (56.7)	2.500 (63.5)
6	1.882 (47.8)	2.264 (57.5)	2.705 (68.7)	3.031 (77.0)
7	2.232 (55.8)	2.657 (67.5)	3.177 (80.7)	3.563 (90.5)
8	2.512 (63.8)	3.051 (77.5)	3.650 (92.7)	4.094 (104.0)
9	2.827 (71.8)	3.445 (87.5)	4.122 (104.7)	4.626 (117.5)
10	3.142 (79.8)	3.839 (97.5)	4.594 (116.7)	5.157 (131.0)
11	3.457 (87.8)	4.232 (107.5)	5.067 (128.7)	5.689 (144.5)
12	3.772 (95.8)	4.626 (117.5)	5.539 (140.7)	6.220 (158.0)

Specifications

Position	Torque in-lb	Clamping Area (mm ²)	Wire Range AWG (CU)	Dimensions - in (mm)					
				Screw	B	C	D	E	F
TS0801	3.5	4.0	22-12 Sol./Str.	M2.6x5	0.67 (17.0)	0.57 (14.5)	0.32 (8.0)	0.11 (2.9)	0.11 (2.8±0.1)
TS0802	3.5	1.5	22-12 Sol./Str.	M2.6x5	0.67 (17.0)	0.57 (14.5)	0.32 (8.0)	0.11 (2.9)	0.11 (2.8±0.1)
TS1001	4.4	6.0	22-10 Sol., 14-10 Str.	M3.0x6	0.80 (20.2)	0.67 (17.0)	0.39 (10.0)	0.14 (3.6)	0.13 (3.4±0.1)
TS1002	4.4	2.5	22-12 Sol./Str., 10 Sol.	M3.0x6	0.80 (20.2)	0.67 (17.0)	0.39 (10.0)	0.14 (3.6)	0.13 (3.4±0.1)
TS1201	7.0	10.0	22-10 Sol./Str.	M3.5x7	0.94 (23.8)	0.75 (19.0)	0.47 (12.0)	0.14 (3.9)	0.15 (4.2±0.1)
TS1202	7.0	6.0	22-10 Sol./Str.	M3.5x7	0.94 (23.8)	0.75 (19.0)	0.47 (12.0)	0.15 (3.9)	0.15 (4.2±0.1)
TS1401	12.0	16.0	20-8 Sol./Str.	M4.0x9	1.01 (25.6)	0.99 (25.2)	0.53 (13.5)	0.17 (4.4)	0.19 (5.0±0.1)
TS1402	12.0	10.0	20-8 Sol./Str.	M4.0x9	1.01 (25.6)	0.99 (25.2)	0.53 (13.5)	0.17 (4.4)	0.19 (5.0±0.1)

Catalog Number Build-A-Code

Series	Base	Poles
TS		
08 = 20A	01 = Standard	02 to 12
10 = 30A	02 = Standard w/ wire protector	
12 = 35A		
14 = 50A		

Wire Connection Products

Flat base terminal blocks

Series TS — 8.0, 10.0mm centers

Specifications

Description: 8 and 10mm center, flat base terminal blocks.

Construction: Mold to length polyamide type 6/6 housing, nickel-plated brass contact and stainless steel wire protector.

Ratings:

- Volts: — 600V
- Amps: — 20A (TS08)
- 30A (TS10)

Wire Range: See Specifications table.

Screw Size: See Specifications table.

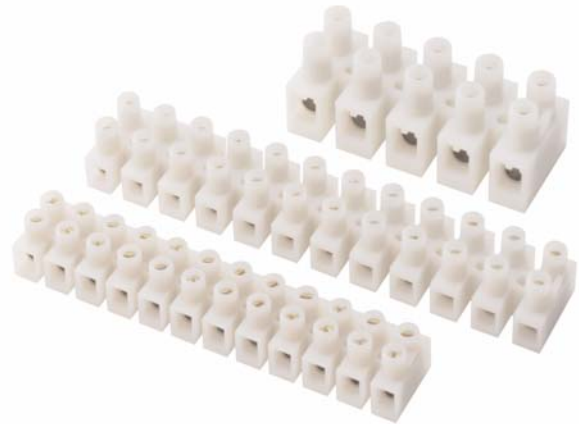
Poles: 2 to 12.

Torque Rating: See Specifications table.

Operating Temperature: +105/-30°C (+221/-22°F).

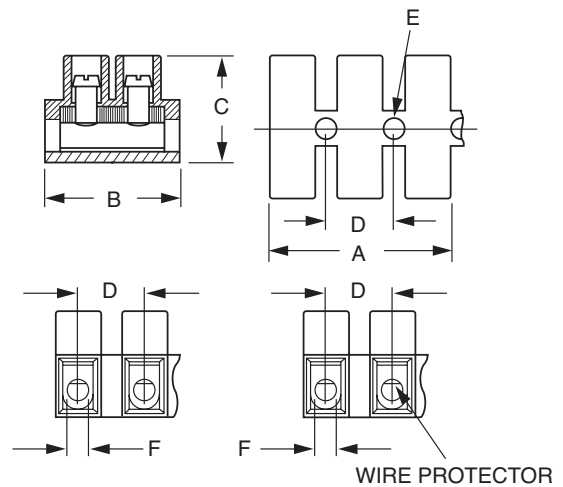
Agency Information: UL/CSA; CE Certified.

Flammability Rating: UL 94V2 (white).



A Dimensions - in (mm)

Poles	TS08	TS10
2	0.622 (15.8)	0.689 (17.5)
3	0.937 (23.8)	1.083 (27.5)
4	1.252 (31.8)	1.476 (37.5)
5	1.567 (39.8)	1.870 (47.5)
6	1.882 (47.8)	2.264 (57.5)
7	2.232 (55.8)	2.657 (67.5)
8	2.512 (63.8)	3.051 (77.5)
9	2.827 (71.8)	3.445 (87.5)
10	3.142 (79.8)	3.839 (97.5)
11	3.457 (87.8)	4.232 (107.5)
12	3.772 (95.8)	4.626 (117.5)



Wire Management Products

Specifications

Position	Torque in-lb	Clamping Area (mm ²)	Wire Range AWG (CU)	Dimensions - in (mm)					
				Screw	B	C	D	E	F
TS0803	3.5	4.0	22-12 Sol./Str.	M2.6x5	0.64 (16.3)	0.53 (13.3)	0.32 (8.0)	0.11 (2.9)	0.11 (2.8±0.1)
TS0804	3.5	1.5	22-12 Sol./Str.	M2.6x5	0.64 (16.3)	0.52 (13.3)	0.32 (8.0)	0.11 (2.9)	0.11 (2.8±0.1)
TS1003	4.4	6.0	22-10 Sol., 14-10 Str.	M3.0x6	0.80 (20.2)	0.62 (15.8)	0.39 (10.0)	0.14 (3.6)	0.13 (3.2±0.1)
TS1004	4.4	2.5	22-12 Sol./Str., 10 Sol.	M3.0x6	0.80 (20.2)	0.62 (15.8)	0.39 (10.0)	0.14 (3.6)	0.13 (3.2±0.1)

Catalog Number Build-A-Code

Series	Base	Poles
TS <input type="checkbox"/> <input type="checkbox"/>	<input type="checkbox"/> <input type="checkbox"/>	<input type="checkbox"/> <input type="checkbox"/>
08 = 20A	03 = Flat	02 to 12
10 = 30A	04 = Flat w/ wire protector	

Raised base terminal blocks

Series TS - 8.0, 10.0mm centers

Specifications

Description: 8 and 10mm center, raised base terminal blocks.

Construction: Mold to length polyamide type 6/6 housing, nickel-plated brass contacts and stainless steel wire protector.

Ratings:

- Volts: — 600V
- Amps: — 20A (TS08)
- 30A (TS10)

Wire Range: See Specifications table.

Screw Size: See Specifications table.

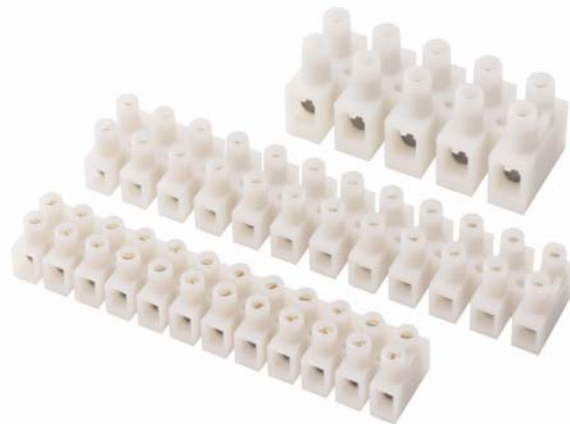
Poles: 2 to 12.

Torque Rating: See Specifications table.

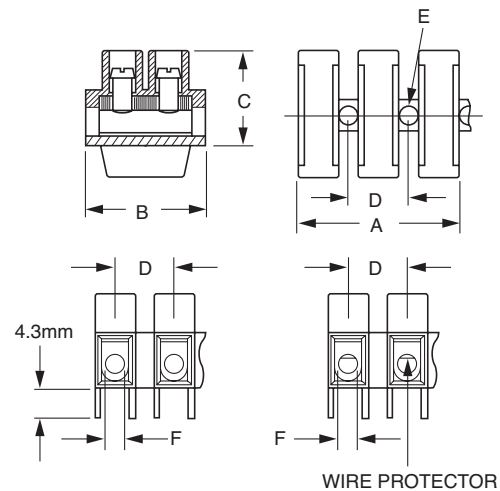
Operating Temperature: +105/-30°C (+221/-22°F).

Agency Information: UL/CSA; CE Certified

Flammability Rating: UL 94V2 (white)



Note: TS Series standard base pictured above.



A Dimensions

Poles	TS08	TS10
2	0.622 (15.8)	0.689 (17.5)
3	0.937 (23.8)	1.083 (27.5)
4	1.252 (31.8)	1.476 (37.5)
5	1.567 (39.8)	1.870 (47.5)
6	1.882 (47.8)	2.264 (57.5)
7	2.232 (55.8)	2.657 (67.5)
8	2.512 (63.8)	3.051 (77.5)
9	2.827 (71.8)	3.445 (87.5)
10	3.142 (79.8)	3.839 (97.5)
11	3.457 (87.8)	4.232 (107.5)
12	3.772 (95.8)	4.626 (117.5)

Specifications

Position	Torque in-lb	Clamping Area (mm ²)	Wire Range AWG (CU)	Dimensions - in (mm)					
				Screw	B	C	D	E	F
TS0805	3.5	4.0	22-12 Sol./Str.	M2.6x5	0.64 (16.30)	0.67 (16.90)	0.32 (8.00)	0.11 (2.90)	0.11 (2.8±0.1)
TS0806	3.5	1.5	22-12 Sol./Str.	M2.6x5	0.64 (16.30)	0.67 (16.90)	0.32 (8.00)	0.11 (2.90)	0.11 (2.8±0.1)
TS1005	4.4	6.0	22-10 Sol., 14-10 Str.	M3.0x6	0.80 (20.20)	0.79 (20.10)	0.39 (10.00)	0.14 (3.60)	0.13 (3.2±0.1)
TS1006	4.4	2.5	22-12 Sol./Str., 10 Sol.	M3.0x6	0.80 (20.20)	0.79 (20.10)	0.39 (10.00)	0.14 (3.60)	0.13 (3.2±0.1)

Catalog Number Build-A-Code

Series	Base	Poles
TS <input type="checkbox"/> <input type="checkbox"/>	<input type="checkbox"/> <input type="checkbox"/>	<input type="checkbox"/> <input type="checkbox"/>
08 = 20A	05 = Raised	02 to 12
10 = 30A	06 = Raised w/ wire protector	