

4

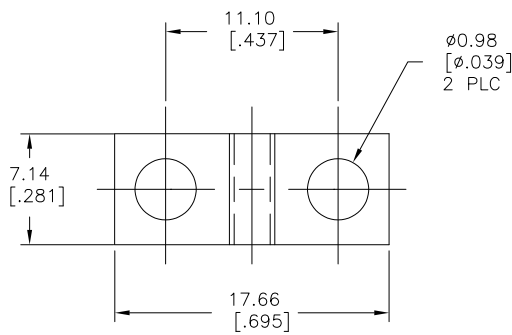
3

2

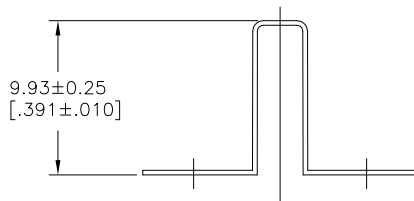
1

THIS DRAWING IS UNPUBLISHED. RELEASED FOR PUBLICATION
 © COPYRIGHT BY TYCO ELECTRONICS CORPORATION. ALL INTERNATIONAL RIGHTS RESERVED.

LOC	DIST	REVISIONS			
P	LTR	DESCRIPTION	DATE	DWN	APVD
	A	REDRAWN PER ECO-08-021227	04SEP08	HMR	SM



- 1 MATERIAL: .015 THK BRASS
- 2 FINISH: BRIGHT TIN PLATE



6-1437418-1
 PART NO

THIS DRAWING IS A CONTROLLED DOCUMENT.		DWN RAGHAVENDRA 04SEP2008	Tyco Electronics Corporation Harrisburg, PA 17105-3608	
DIMENSIONS: mm [INCHES]		CHK SAM_MACE 04SEP2008	NAME	
TOLERANCES UNLESS OTHERWISE SPECIFIED:		APVD SAM_MACE 04SEP2008	J75=JUMPER RING TYPE 7/16	
0 PLC ± -	1 PLC ± -	PRODUCT SPEC	SIZE A.3	CAGE CODE 007791
2 PLC ± .015	3 PLC ± .005	APPLICATION SPEC	DRAWING NO 6-1437418-1	RESTRICTED TO
4 PLC ± -	ANGLES ± 0°30'	WEIGHT -	SCALE 4:1	SHEET 1 OF 1
MATERIAL .015 THK BRASS	FINISH -	CUSTOMER DRAWING	REV A	