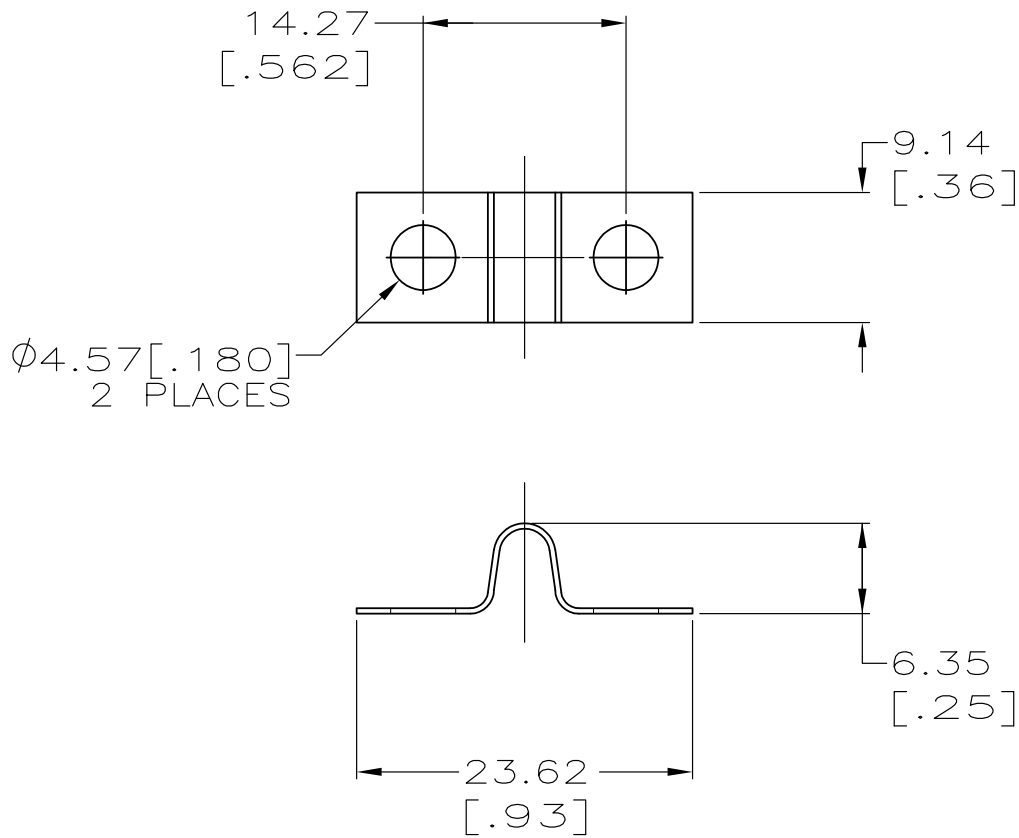


LOC	DIST	REVISIONS					
		P	LTR	DESCRIPTION	DATE	DWN	APVD
EY	25		A1	REVISED PER ECO-11-005033	22MAR11	RK	HMR



MATERIAL: 0.38 [.015] THICK 70-30 BRASS Rb 50-65.



OBSOLETE	AS SHOWN	100 PER PACKAGE	604591-2
	NICKLE PLATE	BULK	604591-1
	FINISH	PACKAGING	PART NO.

THIS DRAWING IS UNPUBLISHED. ALL RIGHTS RESERVED. © COPYRIGHT - By -

DIMENSIONS: mm [INCHES]	DWN	G. GARRETT	03FEB97	MATERIAL	-	FINISH	-						
	TOLERANCES UNLESS OTHERWISE SPECIFIED: 0 PLC ± - 1 PLC ± - 2 PLC ± 0.51[.02] 3 PLC ± 0.13[.005] 4 PLC ± - ANGLES ± -	CHK	G. GARRETT	03FEB97									
	APVD	E. HRYN	03FEB97	NAME					TAB, JUMPER, 8				
	PRODUCT SPEC	-			SIZE	A4	CAGE CODE	00779	DRAWING NO	C-604591	RESTRICTED TO	-	
	APPLICATION SPEC	-			CUSTOMER DRAWING			SCALE	2:1	SHEET	1 OF 1	REV	A1
	WEIGHT	-											