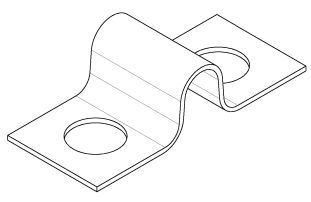
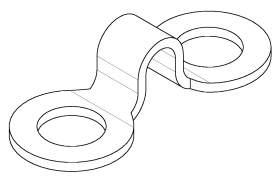
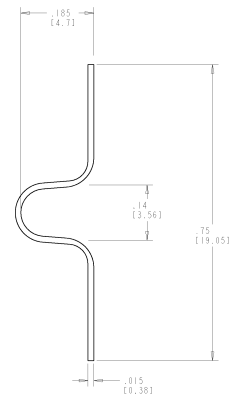
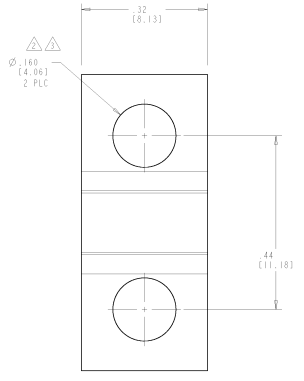
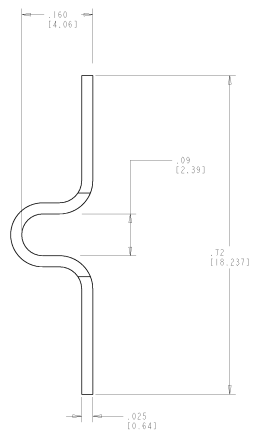
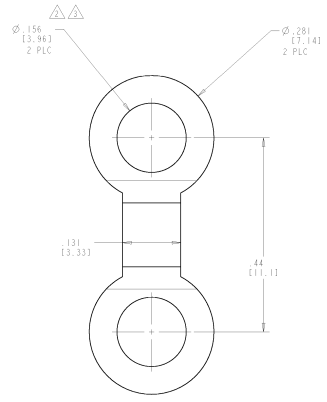


DATE STARTED: 10/20/2010  
 DESIGNED BY: M. J. HARRIS  
 (S) CONFIDENTIAL BY: TOSH ELECTRONICS CORP. OR ANY AFFILIATE THEREOF

REV		DESCRIPTION	DATE	BY	CHKD
00	HM	RELEASED PER BRD-0066-02			



- ▲ MATERIAL: NICKEL OVER BRASS.
- ▲ #6 STUD SIZE.
- ▲ COMMONING TAB FOR 2 ADJACENT CIRCUIT POSITIONS.



ALTERNATE DESIGN

601985-2  
 PART NO.

MFG PART NO: 601985-2 REV: 00 DATE: 10/20/2010		MFG PART NO: 601985-2 REV: 00 DATE: 10/20/2010		<b>Stycor</b> MFG Incorporated Harrisburg, PA 17105-1800	
DIMENSIONS: MM (INCHES) TOLERANCES: FRACTIONAL DECIMALS FINISH: PLATED SURFACE: POLISHED		DIMENSIONS: MM (INCHES) TOLERANCES: FRACTIONAL DECIMALS FINISH: PLATED SURFACE: POLISHED		PART: TAB, JUMPER, 6 QTY: 1000 SPEC: 601985-2 REV: 00	
MATERIAL: NICKEL OVER BRASS FINISH: PLATED		MATERIAL: NICKEL OVER BRASS FINISH: PLATED		CUSTOMER DRAWING: 601985-2 DATE: 10/20/2010 BY: M. J. HARRIS CHKD: M. J. HARRIS	