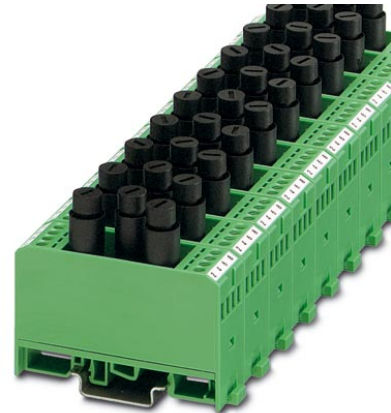


EMG 22-SI3E

Order No.: 2952279

The illustration shows version EMG 22-SI/K, with 3 cartridge fuse holders



<http://eshop.phoenixcontact.de/phoenix/treeViewClick.do?UID=2952279>

Fuse module, for 3 cartridge fuse inserts, 5 x 20 mm, individual connection

Commercial data

EAN	4017918084387
Pack	10 pcs.
Customs tariff	85363010
Weight/Piece	0.06327 KG
Catalog page information	Page 433 (IF-2005)

Product notes

WEEE/RoHS-compliant since:
04/01/2007



<http://www.download.phoenixcontact.com>
Please note that the data given here has been taken from the online catalog. For comprehensive information and data, please refer to the user documentation. The General Terms and Conditions of Use apply to Internet downloads.

Technical data

General data

Nominal voltage U_N	250 V AC
Cartridge fuse inserts	Max. 6.3 A/250 V AC (between two terminal blocks) Max. 3 A/250 V AC (for simultaneous loading of inserts)
Ambient temperature (operation)	-20 °C ... 50 °C

Ambient temperature (storage/transport)	-20 °C ... 50 °C
Width	22.5 mm
Height	62 mm
Depth	75 mm
Mounting position	Any
Assembly instructions	In rows with zero spacing
Standards/regulations	IEC 664
	IEC 664 A
	DIN VDE 0110-1
	DIN VDE 0160
	DIN VDE 0109-11, draft
Pollution degree	2
Surge voltage category	III

Connection data

Conductor cross section solid min.	0.2 mm ²
Conductor cross section solid max.	4 mm ²
Conductor cross section stranded min.	0.2 mm ²
Conductor cross section stranded max.	2.5 mm ²
Conductor cross section AWG/kcmil min.	24
Conductor cross section AWG/kcmil max	12
Stripping length	8 mm
Screw thread	M3
Type of connection	Screw connection

Certificates / Approvals

Certification

GOST

Accessories

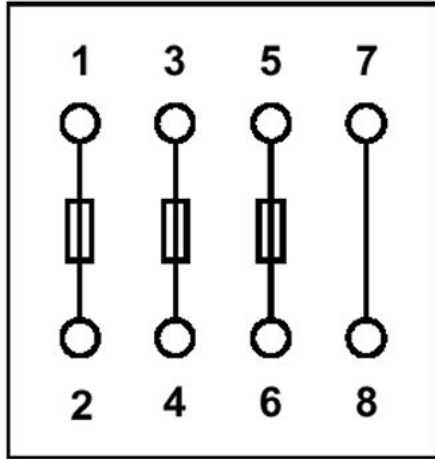
Item	Designation	Description
------	-------------	-------------

Marking

2947035	EMG-GKS 12	Equipment marker, width 12 mm
---------	------------	-------------------------------

Diagrams/Drawings

Circuit diagram



EMG 22-SI3E

Address

PHOENIX CONTACT Inc., USA
586 Fulling Mill Road
Middletown, PA 17057, USA
Phone (800) 888-7388
Fax (717) 944-1625
<http://www.phoenixcon.com>



© 2010 Phoenix Contact
Technical modifications reserved;