

UMK-BE 22,5

Order No.: 2970028

The illustration shows a combination of versions UMK SE 11,25, UMK BE 11,25,- 22,5, -45 and UMK-FE



<http://eshop.phoenixcontact.de/phoenix/treeViewClick.do?UID=2970028>

Electronic board base, plug-in module base element

Commercial data

EAN	4017918087555
Pack	10 pcs.
Customs tariff	85472000
Weight/Piece	0.009715 KG
Catalog page information	Page 610 (CC-2009)

Product notes

WEEE/RoHS-compliant since:
01/01/2003



<http://www.download.phoenixcontact.com>
Please note that the data given here has been taken from the online catalog. For comprehensive information and data, please refer to the user documentation. The General Terms and Conditions of Use apply to Internet downloads.

Technical data

General

Housing type	Panel mounting base
Housing material	Polyamide
Color	green

Dimensions / positions

Length	77 mm
--------	-------

Width	45 mm
Number of positions	999

Technical data

Ambient temperature (operation)	-40 °C ... 105 °C
Inflammability class acc. to UL 94	V2

Accessories

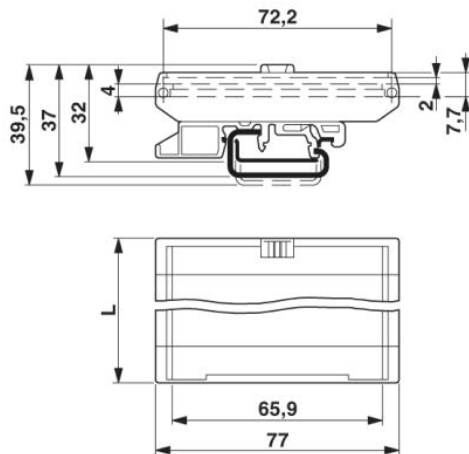
Item	Designation	Description
Assembly		
2976077	UMK-BF	Mounting flange, for mounting directly on the wall

General

2971535	UMK-BE 11,25	Electronic board base, plug-in module base element
2970015	UMK-BE 45	Electronic board base, plug-in module base element
2970031	UMK-FE	Foot element, for mounting on DIN rail NS 32 or DIN rail NS 35/7.5, can be inserted between base and side element

Diagrams/Drawings

Dimensioned drawing



Address

PHOENIX CONTACT Deutschland GmbH
Flachsmarktstr. 8
32825 Blomberg, Germany
Phone +49 5235 3 12000
Fax +49 5235 3 41200
<http://www.phoenixcontact.de>



© 2010 Phoenix Contact
Technical modifications reserved;