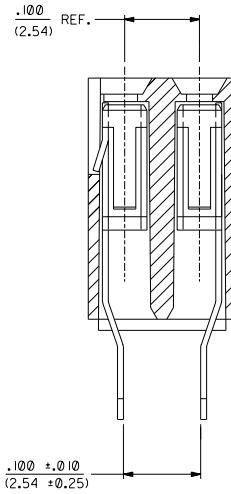
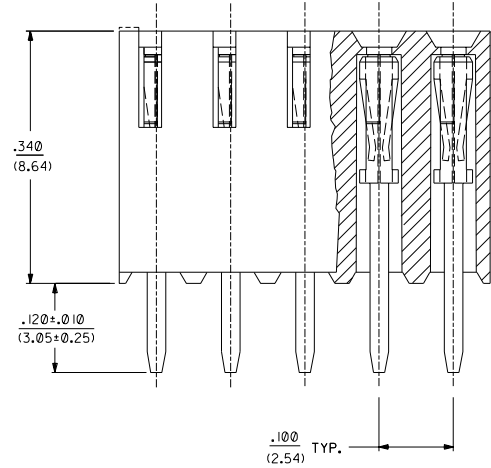
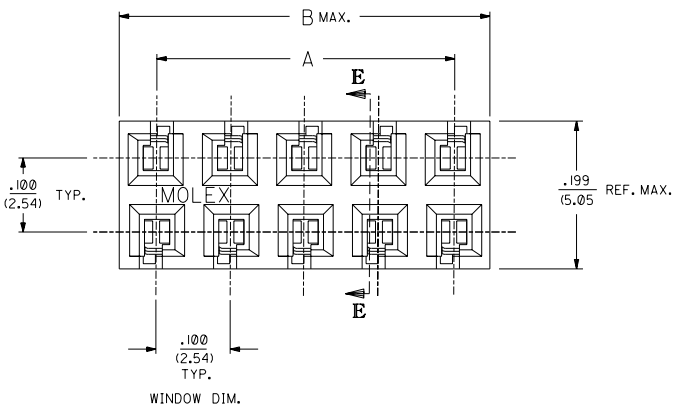
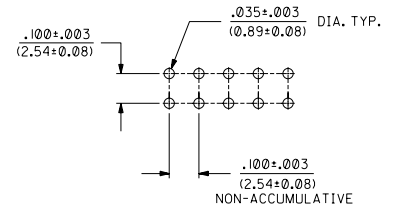


13 12 11 10 9 8 7 6 70192 4 3 2 1



- NOTES:
- 1 - HOUSING MATERIAL: GLASS FILLED POLYESTER, UL 94V-0. COLOR: BLACK
  - 2 - TERMINAL MATERIAL: PHOSPHOR BRONZE
  - 3 - SEE ADDITIONAL SHEETS FOR CHARTS, PLATINGS, AND OVERALL DIMENSIONS
  - 4 - THIS PRODUCT CONFORMS TO PS-70181.



RECOMMENDED P.C. BOARD HOLE LAYOUT  
SCALE = 4:1

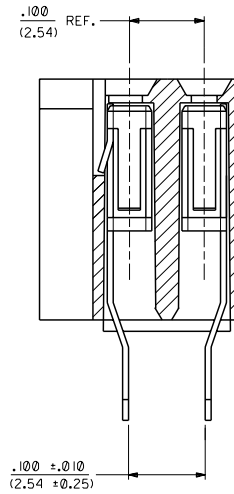
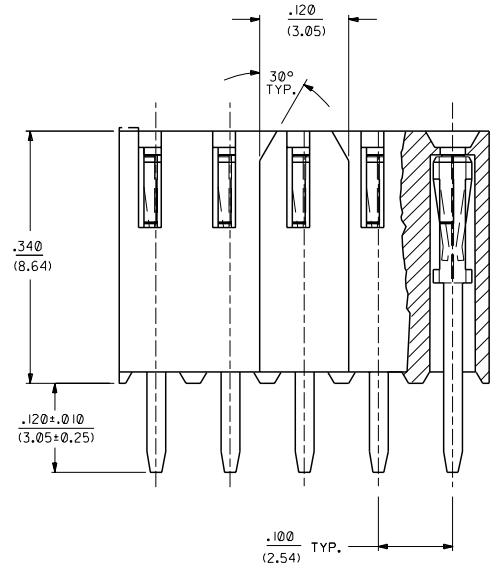
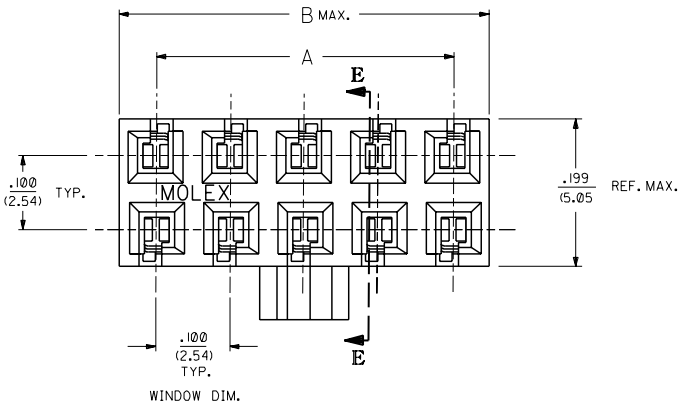
SECTION E-E

|       |  |      |      |           |
|-------|--|------|------|-----------|
| C     | LEAD FREE<br>IPC2004-1770<br>RWHITE 04/04/28             |      |      |           |
| B     | CHANGE PACK SPEC<br>ECN# UD2000-0503<br>DMORGAN 09/12/93 |      |      |           |
| A     | REVISE PLATE & BOX<br>PER US 0572<br>09/10/93 MURPHY     |      |      |           |
| 3     | C  |      |      |           |
| 2     | A  |      |      |           |
| 1     | C  |      |      |           |
| MFGR. | SH.  | REV. | LTR. | REVISIONS |

MOLEX INCORPORATED  
 TITLE: CONNECTOR VERT MOUNT DUAL ROW (TOP ENTRY) .100 X .10 P.C. TAIL GRID  
 SHEET NO. 1 OF 3  
 DATE 09/10/93  
 PART NO. SDA-70192  
 DRWG. NO. 69532  
 SEE CHART  
 DIMENSIONS SHOWN (METRIC) INCH  
 UNLESS OTHERWISE SPECIFIED TOLERANCES ANGULAR ± 1/2°  
 2 PLACE ± .010 INCH --- METRIC  
 3 PLACE ± .014 ± 0.25  
 4 PLACE --- ± 0.35  
 DRAFT WHERE APPLICABLE MUST REMAIN WITHIN DIMENSIONS  
 ORG. BY: PM CWD. BY: PM SCALE: 10:1  
 APP'D. BY: PM  
 NO DRAWING CONTAINS INFORMATION THAT IS PROPRIETARY TO MOLEX INC. AND SHOULD NOT BE USED WITHOUT WRITTEN PERMISSION. DA C

13 12 11 10 9 8 7 6 5 4 3 2 1

13 12 11 10 9 8 7 6 70192 4 3 2 1



NOTES:  
1 - SEE SHEET 1 FOR APPLICABLE NOTES.

**SINGAPORE ONLY  
OPTION -F-  
WITH POLARIZING KEY**

A SEE SHEET 1

SECTION E-E

|  |    |                          |                           |               |
|--|----|--------------------------|---------------------------|---------------|
| MFG. SH.   |    | REV.                     | LTR.                      | REVISIONS     |
| ▽ = 0  |    | ▽ = 0                    | REVISE ONLY ON CAD SYSTEM |               |
| DIMENSIONS SHOWN METRIC INCH   |    |                          |                           |               |
| UNLESS OTHERWISE SPECIFIED TOLERANCES ANGULAR 1/2°   |    |                          |                           |               |
| 3 PLACE ±  |    | INCH                     |                           | METRIC        |
| 2 PLACE ±  |    | :                        |                           | :             |
| 1 PLACE ±  |    | :                        |                           | :             |
| DRAFT WHERE APPLICABLE MUST REMAIN WITHIN DIMENSIONS   |    |                          |                           |               |
| DRWG. BY   | PM | CHK'D. BY                | PM                        | FILE NAME     |
| APP'D. BY  | PM | SCALE                    | :                         | SATD152X2     |
| MOLEX INCORPORATED   |    | SHEET NO. 2              |                           | DATE 07/17/90 |
| PART NO. 68532   |    | DRWG. NO. SDA-70192-0000 |                           | SIZE DA C     |
| THIS DRAWING CONTAINS INFORMATION THAT IS PROPRIETARY TO MOLEX INC. AND SHOULD NOT BE USED WITHOUT WRITTEN PERMISSION DA C |    |                          |                           |               |

13 12 11 10 9 8 7 6 5 4 3 2 1

| CKT SIZE |       | PLATING: TIN<br>PACKAGING: PK-70873-0660 |              | PLATING: 15 GOLD<br>PACKAGING: PK-70873-0660 |              | PLATING: 30 GOLD<br>PACKAGING: PK-70873-0660 |              | OPTION F ASSEMBLY<br>TOOLED IN SINGAPORE ONLY<br>(SEE SHEET 2 FOR GEOMETRY) |              | DIM."A" |       | DIM."B" |        |
|----------|-------|--|--------------|--|--------------|--|--------------|---|--------------|---------|-------|---------|--------|
| PER ROW  | TOTAL | EDP NO.                                  | ENG NO.      | EDP NO.                                      | ENG NO.      | EDP NO.                                      | ENG NO.      | EDP NO.   | ENG NO.      | INCH    | MM    | INCH    | MM     |
| 02       | 04    | 15-45-1302                               | A-70192-0065 | 15-44-3202                                   | A-70192-0129 | 15-44-4502                                   | A-70192-0193 |   |              | .100    | 2.54  | .199    | 5.05   |
| 03       | 06    | 15-45-1303                               | A-70192-0066 | 15-44-3203                                   | A-70192-0130 | 15-44-4503                                   | A-70192-0194 |   |              | .200    | 5.08  | .299    | 7.59   |
| 04       | 08    | 15-45-1304                               | A-70192-0067 | 15-44-3204                                   | A-70192-0131 | 15-44-4504                                   | A-70192-0195 |   |              | .300    | 7.62  | .399    | 10.13  |
| 05       | 10    | 15-45-1305                               | A-70192-0068 | 15-44-3205                                   | A-70192-0132 | 15-44-4505                                   | A-70192-0196 |   |              | .400    | 10.16 | .499    | 12.67  |
| 06       | 12    | 15-45-1306                               | A-70192-0069 | 15-44-3206                                   | A-70192-0133 | 15-44-4506                                   | A-70192-0197 |   |              | .500    | 12.70 | .599    | 15.21  |
| 07       | 14    | 15-45-1307                               | A-70192-0070 | 15-44-3207                                   | A-70192-0134 | 15-44-4507                                   | A-70192-0198 |   |              | .600    | 15.24 | .699    | 17.75  |
| 08       | 16    | 15-45-1308                               | A-70192-0071 | 15-44-3208                                   | A-70192-0135 | 15-44-4508                                   | A-70192-0199 |   |              | .700    | 17.78 | .799    | 20.29  |
| 09       | 18    | 15-45-1309                               | A-70192-0072 | 15-44-3209                                   | A-70192-0136 | 15-44-4509                                   | A-70192-0200 |   |              | .800    | 20.32 | .899    | 22.83  |
| 10       | 20    | 15-45-1310                               | A-70192-0073 | 15-44-3210                                   | A-70192-0137 | 15-44-4510                                   | A-70192-0201 |   |              | .900    | 22.86 | .999    | 25.37  |
| 11       | 22    | 15-45-1311                               | A-70192-0074 | 15-44-3211                                   | A-70192-0138 | 15-44-4511                                   | A-70192-0202 |   |              | 1.000   | 25.40 | 1.099   | 27.91  |
| 12       | 24    | 15-45-1312                               | A-70192-0075 | 15-44-3212                                   | A-70192-0139 | 15-44-4512                                   | A-70192-0203 |   |              | 1.100   | 27.94 | 1.199   | 30.45  |
| 13       | 26    | 15-45-1313                               | A-70192-0076 | 15-44-3213                                   | A-70192-0140 | 15-44-4513                                   | A-70192-0204 |   |              | 1.200   | 30.48 | 1.299   | 32.99  |
| 14       | 28    | 15-45-1314                               | A-70192-0077 | 15-44-3214                                   | A-70192-0141 | 15-44-4514                                   | A-70192-0205 |   |              | 1.300   | 33.02 | 1.399   | 35.53  |
| 15       | 30    | 15-45-1315                               | A-70192-0078 | 15-44-3215                                   | A-70192-0142 | 15-44-4515                                   | A-70192-0206 |   |              | 1.400   | 35.56 | 1.499   | 38.07  |
| 16       | 32    | 15-45-1316                               | A-70192-0079 | 15-44-3216                                   | A-70192-0143 | 15-44-4516                                   | A-70192-0207 |   |              | 1.500   | 38.10 | 1.599   | 40.61  |
| 17       | 34    | 15-45-1317                               | A-70192-0080 | 15-44-3217                                   | A-70192-0144 | 15-44-4517                                   | A-70192-0208 |   |              | 1.600   | 40.64 | 1.699   | 43.15  |
| 18       | 36    | 15-45-1318                               | A-70192-0081 | 15-44-3218                                   | A-70192-0145 | 15-44-4518                                   | A-70192-0209 |   |              | 1.700   | 43.18 | 1.799   | 45.69  |
| 19       | 38    | 15-45-1319                               | A-70192-0082 | 15-44-3219                                   | A-70192-0146 | 15-44-4519                                   | A-70192-0210 |   |              | 1.800   | 45.72 | 1.899   | 48.23  |
| 20       | 40    | 15-45-1320                               | A-70192-0083 | 15-44-3220                                   | A-70192-0147 | 15-44-4520                                   | A-70192-0211 |   |              | 1.900   | 48.26 | 1.999   | 50.77  |
| 21       | 42    | 15-45-1321                               | A-70192-0084 | 15-44-3221                                   | A-70192-0148 | 15-44-4521                                   | A-70192-0212 |   |              | 2.000   | 50.80 | 2.099   | 53.31  |
| 22       | 44    | 15-45-1322                               | A-70192-0085 | 15-44-3222                                   | A-70192-0149 | 15-44-4522                                   | A-70192-0213 |   |              | 2.100   | 53.34 | 2.199   | 55.85  |
| 23       | 46    | 15-45-1323                               | A-70192-0086 | 15-44-3223                                   | A-70192-0150 | 15-44-4523                                   | A-70192-0214 |   |              | 2.200   | 55.88 | 2.299   | 58.39  |
| 24       | 48    | 15-45-1324                               | A-70192-0087 | 15-44-3224                                   | A-70192-0151 | 15-44-4524                                   | A-70192-0215 |   |              | 2.300   | 58.42 | 2.399   | 60.93  |
| 25       | 50    | 15-45-1325                               | A-70192-0088 | 15-44-3225                                   | A-70192-0152 | 15-44-4525                                   | A-70192-0216 | 15-44-6625  | A-70192-0280 | 2.400   | 60.96 | 2.499   | 63.47  |
| 26       | 52    | 15-45-1326                               | A-70192-0089 | 15-44-3226                                   | A-70192-0153 | 15-44-4526                                   | A-70192-0217 |   |              | 2.500   | 63.50 | 2.599   | 66.01  |
| 27       | 54    | 15-45-1327                               | A-70192-0090 | 15-44-3227                                   | A-70192-0154 | 15-44-4527                                   | A-70192-0218 |   |              | 2.600   | 66.04 | 2.699   | 68.55  |
| 28       | 56    | 15-45-1328                               | A-70192-0091 | 15-44-3228                                   | A-70192-0155 | 15-44-4528                                   | A-70192-0219 |   |              | 2.700   | 68.58 | 2.799   | 71.09  |
| 29       | 58    | 15-45-1329                               | A-70192-0092 | 15-44-3229                                   | A-70192-0156 | 15-44-4529                                   | A-70192-0220 |   |              | 2.800   | 71.12 | 2.899   | 73.63  |
| 30       | 60    | 15-45-1330                               | A-70192-0093 | 15-44-3230                                   | A-70192-0157 | 15-44-4530                                   | A-70192-0221 |   |              | 2.900   | 73.66 | 2.999   | 76.17  |
| 31       | 62    | 15-45-1331                               | A-70192-0094 | 15-44-3231                                   | A-70192-0158 | 15-44-4531                                   | A-70192-0222 |   |              | 3.000   | 76.20 | 3.099   | 78.71  |
| 32       | 64    | 15-45-1332                               | A-70192-0095 | 15-44-3232                                   | A-70192-0159 | 15-44-4532                                   | A-70192-0223 |   |              | 3.100   | 78.74 | 3.199   | 81.25  |
| 33       | 66    | 15-45-1333                               | A-70192-0096 | 15-44-3233                                   | A-70192-0160 | 15-44-4533                                   | A-70192-0224 |   |              | 3.200   | 81.28 | 3.299   | 83.79  |
| 34       | 68    | 15-45-1334                               | A-70192-0097 | 15-44-3234                                   | A-70192-0161 | 15-44-4534                                   | A-70192-0225 |   |              | 3.300   | 83.82 | 3.399   | 86.33  |
| 35       | 70    | 15-45-1335                               | A-70192-0098 | 15-44-3235                                   | A-70192-0162 | 15-44-4535                                   | A-70192-0226 |   |              | 3.400   | 86.36 | 3.499   | 88.87  |
| 36       | 72    | 15-45-1336                               | A-70192-0099 | 15-44-3236                                   | A-70192-0163 | 15-44-4536                                   | A-70192-0227 |   |              | 3.500   | 88.90 | 3.599   | 91.41  |
| 37       | 74    | 15-45-1337                               | A-70192-0100 | 15-44-3237                                   | A-70192-TIN  | 15-44-4537                                   | A-70192-0228 |   |              | 3.600   | 91.44 | 3.699   | 93.95  |
| 38       | 76    | 15-45-1338                               | A-70192-0101 | 15-44-3238                                   | A-70192-0165 | 15-44-4538                                   | A-70192-0229 |   |              | 3.700   | 93.98 | 3.799   | 96.49  |
| 39       | 78    | 15-45-1339                               | A-70192-0102 | 15-44-3239                                   | A-70192-0166 | 15-44-4539                                   | A-70192-0230 |   |              | 3.800   | 96.52 | 3.899   | 99.03  |
| 40       | 80    | 15-45-1340                               | A-70192-0103 | 15-44-3240                                   | A-70192-0167 | 15-44-4540                                   | A-70192-0231 |   |              | 3.900   | 99.06 | 3.999   | 101.57 |

\*THE PRIMARY SHIPPING CARTON WILL BE LABELED "COMPLIANT TO RoHS DIRECTIVE 2002/95/EC AND ELV ANNEX II OF DIRECTIVE 2000/53/EC". CARTONS WITHOUT THIS LABEL MAY CONTAIN PRODUCT WITH LEAD.

PLATING:

|         |  |   |
|---------|--|---|
| TIN     | (3.75 MICROMETER)/150 MICROINCH MINIMUM TIN OVER                           | (1.25 MICROMETER)/50 MICROINCH MINIMUM NICKEL OVERALL.                        |
| 15 GOLD | (0.37 MICROMETER)/15 MICROINCH MINIMUM SELECTIVE GOLD IN THE CONTACT AREA; | (1.88 MICROMETER)/75 MICROINCH MINIMUM SELECTIVE TIN IN THE PC TAIL AREA OVER |
| 30 GOLD | (0.75 MICROMETER)/30 MICROINCH MINIMUM SELECTIVE GOLD IN THE CONTACT AREA; | (1.88 MICROMETER)/75 MICROINCH MINIMUM SELECTIVE TIN IN THE PC TAIL AREA OVER |
|         | (1.25 MICROMETER)/50 MICROINCH MINIMUM NICKEL OVERALL.                     |   |

|                              |        |                                 |        |                |        |  |        |   |          |
|------------------------------|--------|---------------------------------|--------|----------------|--------|--|--------|---|----------|
| DIMENSIONS SHOWN METRIC INCH |        | TOLERANCES: DIMENSIONAL: 1/100" |        | ANGULAR: 1/16° |        | DRAFT WHERE APPLICABLE MUST REMAIN WITHIN DIMENSIONS |        | $\nabla = 0$ $\blacktriangledown = 0$ REVISE ONLY ON CAD SYSTEM<br>TITLE: VERTICAL MOUNT ASSY DUAL<br>ROW TOP ENTRY .100 X .100<br>P.C. TAIL GRID<br>MOLEX INCORPORATED SHEET NO. 3 DATE 07/17/90<br>1516.LJL.L 60532 U.S.A.<br>PART NO. SDA-70192-****<br>SEE CHART<br>FILE NAME: SDA701923.DWG<br>NO DIMENSIONS IN PARENTS THAT IS PROPRIETARY TO MOLEX INC. AND SHOULD NOT BE USED WITHOUT WRITTEN PERMISSION DA C |          |
| 3 PLACE                      | ± .001 | INCH                            | METRIC | 3 PLACE        | ± .001 | 3 PLACE  | ± .001 | 3 PLACE   | ± .001   |
| 2 PLACE                      | ± .005 | INCH                            | METRIC | 2 PLACE        | ± .005 | 2 PLACE  | ± .005 | 2 PLACE   | ± .005   |
| 1 PLACE                      | ± .010 | INCH                            | METRIC | 1 PLACE        | ± .010 | 1 PLACE  | ± .010 | 1 PLACE   | ± .010   |
| DRG. NO.                     | T.M    | DRG. BY                         | MCB    | SCALE          | 10:1   | APP'D BY   | MCB    | DATE  | 07/17/90 |

|      |           |      |           |
|------|-----------|------|-----------|
| LTR. | REVISIONS | LTR. | REVISIONS |
|      |           |      |           |