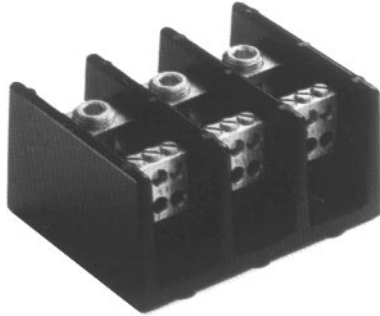


Power Distribution & Terminal Blocks

Power Distribution Blocks 600 Volt AC or DC

PDB



Catalog Symbol: Power Distribution Blocks
Voltage Rating: 600 Volts AC or DC maximum
Agency Information:
UL Recognized, Guide XCFR2, File E221592
CSA Certified, Class 6228-01, File 15364

Example: A 3-pole, 16023 series is 16023-3. The line side of the device has (1) conductor opening per pole that accepts 350kcmil - #6 CU/AL. The load side of the device has (6) conductor openings per pole that each accepts #4 - #14 CU or #4 - #12 AL.

Power Distribution Blocks (600V) Catalog Data

Catalog Number	1-Pole	2-Pole	3-Pole	4-Pole	Connection		Connector Material and Ampacity	UL	CSA
					Line	Load			
16021	NA	-2	-3	-4	2/0 - #14CU, 2/0 - #8AL	(6) #4 - #14CU, #4 - #8AL	AL-175A	•	•
16023	NA	-2	-3	-4	350kcmil - #6CU-AL	(6) #4 - #14CU, #4 - #12AL	AL-310A	•	•
16220	-1	-2	-3	NA	2/0 - #14CU, 2/0 - #8AL	(4) #4 - #14CU, #4 - #8AL	AL-175A	•	•
16321	-1	-2	-3	NA	2/0 - #14CU, 2/0 - #8AL	(6) #4 - #14CU, #4 - #8AL	AL-175A	•	•
16323	-1	-2	-3	NA	350kcmil - #6CU-AL	(6) #4 - #14CU, #4 - #12AL	AL-310A	•	•
16325	-1	-2	-3	NA	(2) 2/0 - #14CU, 2/0 - #8AL	(6) #4 - #14CU, #4 - #8AL	AL-350A	•	•
16330	-1	-2	-3	NA	500kcmil - #6CU-AL	(6) #2 - #14CU, #2 - #12AL	AL-380A	•	•
16332	-1	-2	-3	NA	350kcmil - #6CU-AL	(3) #2 - #14CU, #2 - #8AL (2) 1/0 - #14CU, 1/0 - #8AL	AL-310A	•	•
16335	-1	-2	-3	NA	500kcmil - #6CU-AL	(3) #2 - #14 CU, #2 - #8AL (2) 1/0 - #14CU, 1/0 - #8AL	AL-380A	•	•
16370	-1	-2	-3	NA	350kcmil - #6CU-AL	(12) #4 - #14CU, #4 - #12AL	AL-310A	•	•
16371	-1	-2	-3	NA	350kcmil - #6CU-AL	(6) #2 - #14CU, #2 - #8AL (3) 1/0 - #14CU, 1/0 - #8AL	AL-310A	•	•
16372	-1	-2	-3	NA	350kcmil - #6CU-AL	(21) #10 - #14CU, #10AL	AL-310A	•	•
16373	-1	-2	-3	NA	350kcmil - #6CU-AL	(3) 1/0 - #14CU-AL (14) #10 - #14CU, #10AL	AL-310A	•	•
16375	-1	-2	-3	NA	600kcmil - #2CU-AL	(12) #4 - #14CU, #4 - #12AL	AL-420A	•	•
16376	-1	-2	-3	NA	600kcmil - #2CU-AL	(6) #2 - #14CU, #2 - #8AL (3) 1/0 - #14CU, 1/0 - #8AL	AL-420A	•	•
16377	-1	-2	-3	NA	(2)300kcmil - #4CU-AL	(12) #4 - #14CU, #4 - #12AL	AL-570A	•	•
16528	-1	-2	-3	NA	(2) 600kcmil - #2CU-AL	(4) 3/0 - #6CU-AL (4) #4 - #14CU-AL	AL-840A	•	•
16530	-1	-2	-3	NA	(2) 500kcmil - #6CU-AL	(12) #4 - #14CU-AL	AL-760A	•	•
16541	-1	-2	-3	NA	500kcmil - #6CU-AL	(21) #6 - #14CU-AL	AL-380A	•	•

How To Order: Catalog Number + # of Poles
Example: 16021-3 (complete part number)

Dimensional information on page 3

Optional covers: 160 Series: CPB160 - (pole)
 162 Series: CPB162 - (pole)
 163 Series: CPDB - (pole)
 165 Series: CPDB165 (1 for each pole)

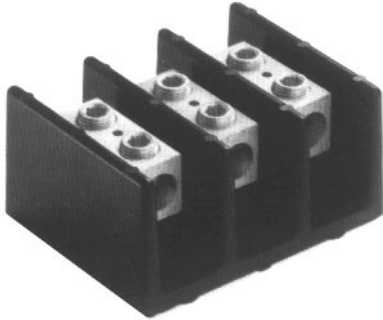
CE CE logo denotes compliance with European Union Low Voltage Directive (50-1000Vac, 75-1500Vdc). Refer to Data Sheet: 8002 or contact Bussmann Application Engineering at 636-527-1270 for more information.

Power Distribution & Terminal Blocks

Splicer Terminal Blocks

600 Volt AC or DC

PDB



Catalog Symbol: Splicer Terminal Blocks
 Voltage Rating: 600Vac or DC maximum
 Agency Information:
 UL Recognized, Guide XCFR2, File E221592
 CSA Certified, Class 6228-01, File 15364
 Picture shown:
 3-Pole - 1 opening on line per phase
 1 opening on load per phase

Power Distribution Blocks (600V) Catalog Data

Catalog Number	1-Pole	2-Pole	3-Pole	4-Pole	Connection		Connector Material and Ampacity	U.R.	CSA
					Line	Load			
16000	NA	-2	-3	-4	2/0 - #8CU-AL	2/0 - #8CU-AL	AL-175A	•	—
16003	NA	-2	-3	-4	250kcmil - #6CU Only	250kcmil - #6CU Only	CU-255A	•	—
16005	NA	-2	-3	-4	350kcmil - #6CU-AL	350kcmil - #6CU-AL	AL-310A	•	—
16200	-1	-2	-3	NA	#2 - #14CU, #2 - #8AL	#2 - #14CU, #2 - #8AL	AL-115A	•	—
16201	-1	-2	-3	NA	1/0 - #14CU Only	1/0 - #14CU Only	CU-150A	•	—
16204	-1	-2	-3	NA	2/0 - #8CU-AL	2/0 - #8CU-AL	AL-175A	•	—
16301	-1	-2	-3	NA	250kcmil - #6CU Only	250kcmil - #6CU Only	CU-255A	•	•
16303	-1	-2	-3	NA	350kcmil - #6CU-AL	350kcmil - #6CU-AL	AL-310A	•	•
16306	-1	-2	-3	NA	(1)500kcmil - #6CU-AL	(1)500kcmil - #6CU-AL	AL-380A	•	•
16500	-1	-2	-3	NA	(2) 350kcmil - #4CU-AL	(2) 350kcmil - #4CU-AL	AL-620A	•	•
16504	-1	-2	-3	NA	(2) 500kcmil - #6CU-AL	(2) 500kcmil - #6CU-AL	AL-760A	•	•

Dimensional information on page 3

Optional covers:
 160 Series: CPB160 - (pole)
 162 Series: CPB162 - (pole)
 163 Series: CPDB - (pole)
 165 Series: CPDB165 (1 for each pole)

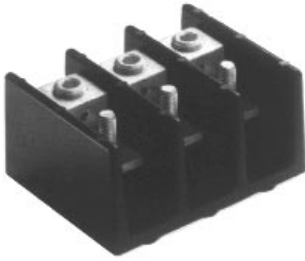
CE CE logo denotes compliance with European Union Low Voltage Directive (50-1000Vac, 75-1500Vdc). Refer to Data Sheet: 8002 or contact Bussmann Application Engineering at 636-527-1270 for more information.

Power Distribution & Terminal Blocks

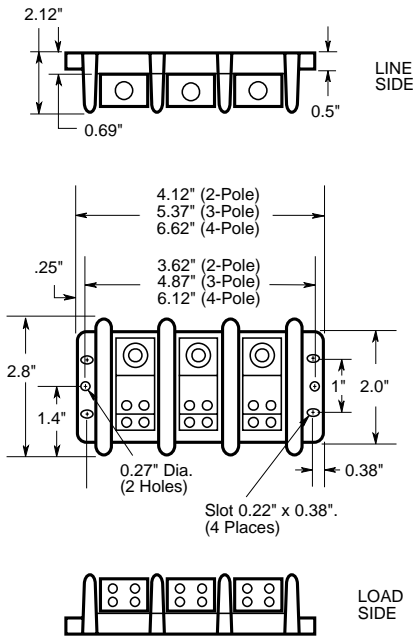
Connector-Stud and Stud-Stud Blocks

600 Volt AC or DC

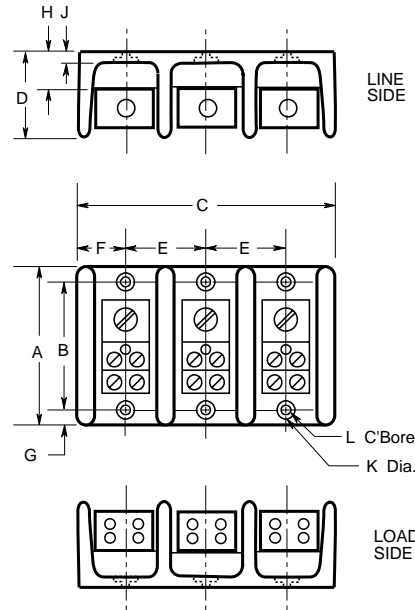
PDB



Series 160 (Available 2, 3, and 4 pole)
Dimensional Data



Catalog Symbol: Connector-Stud Block
Voltage Rating: 600Vac or DC maximum
Agency Information:
UL Recognized, Guide XCFR2, File E221592
CSA Certified, Class 6228-01, File 15364
Series 162, 163, and 165 Dimensional Data
(Available 1, 2, and 3 pole)



Dimensions for Series 162, 163, and 165

Cat. No.	A	B	C1	C2	C3	D	E	F	G	H	J	K	L
162	2.88	2.25	1.07	1.88	2.70	1.75	0.81	0.53	0.31	0.84	0.31	0.20	0.41
163	4.0	3.38	1.98	3.60	5.21	3.32	1.62	0.99	0.31	0.87	0.35	Slot .20" wide x .41" long	Slot .42" wide x .62" long
165	5.5	4.75	3.10"	5.79"	8.48"	2.93"	2.69	1.55"	0.38	1.19"	.44"	Slot .20" wide x .33" long	Slot .41" wide x .53" long

160 Series Bases have mounting holes outside the barriers. Other bases (162 through 165) have mounting holes within barriers—see dimensional drawings.

Connector-Stud Blocks (600V) Catalog Data

Catalog Number	1-Pole	2-Pole	3-Pole	Connection		Connector Material and Ampacity	UL	CSA
				Line	Load			
Connector - Stud								
16280	-1	-2	-3	2/0 - #14CU-AL	¼ - 20 × ¾ Stud	AL-175A	•	—
16281	-1	-2	-3	2/0 - #14CU-AL	¼ - 20 Tapped hole	AL-175A	•	—
16378	-1	-2	-3	500kcmil - #6CU-AL	(2) ¼ - 20 × 1 Stud	AL-380A	•	•
16383	-1	-2	-3	500kcmil - #6CU-AL	(1) ⅜ - 16 × 1 Stud	AL-380A	•	•
16582	-1	-2	-3	(2) 500kcmil - #6CU-AL	(2) ⅜ - 16 × 1½ Stud	AL-760A	•	•
Stud - Stud								
16290	-1	-2	-3	¼ - 20 × ¾ Stud	¼ - 20 × ¾ Stud	CU-150A	•	—
16390	-1	-2	-3	⅜ - 16 × 1½ Stud	⅜ - 16 × 1½ Stud	CU-250A	•	•
16394	-1	-2	-3	½ - 13 × 1½ Stud	½ - 13 × 1½ Stud	CU-400A	•	•
16395	-1	-2	-3	⅜ - 16 × 1½ Stud	(2) ¼ - 20 × ⅞ Stud	CU-310A	•	•
16591	-1	-2	-3	⅜ - 16 × 1½ Stud	(2) ⅜ - 16 × 1½ Stud	CU-400A	•	—
16593	-1	-2	-3	½ - 13 × 1 Stud	½ - 13 × 1 Stud	CU-600A	•	•

The only controlled copy of this Data Sheet is the electronic read-only version located on the Bussmann Network Drive. All other copies of this document are by definition uncontrolled. This bulletin is intended to clearly present comprehensive product data and provide technical information that will help the end user with design applications. Bussmann reserves the right, without notice, to change design or construction of any products and to discontinue or limit distribution of any products. Bussmann also reserves the right to change or update, without notice, any technical information contained in this bulletin. Once a product has been selected, it should be tested by the user in all possible applications.