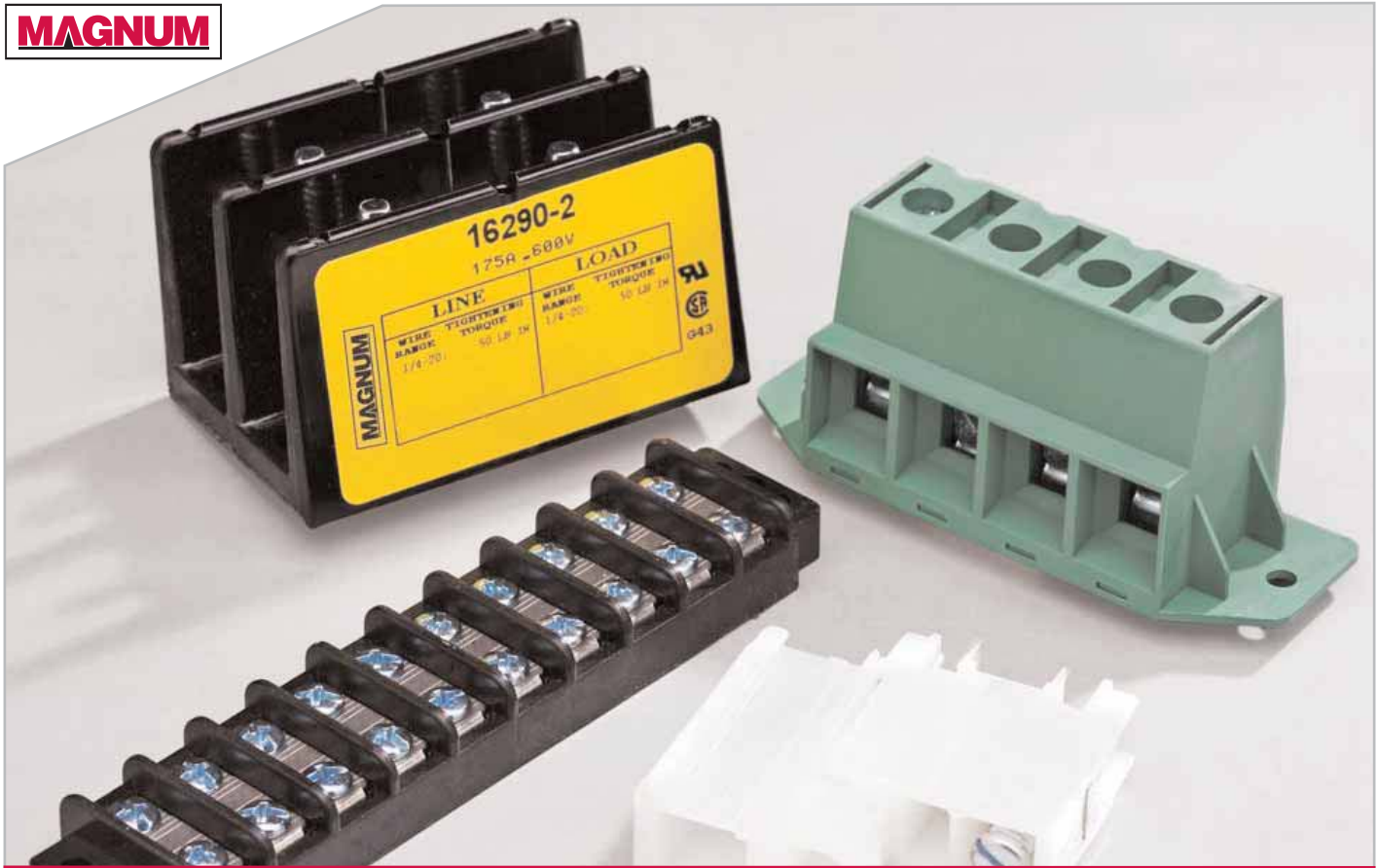


MAGNUM

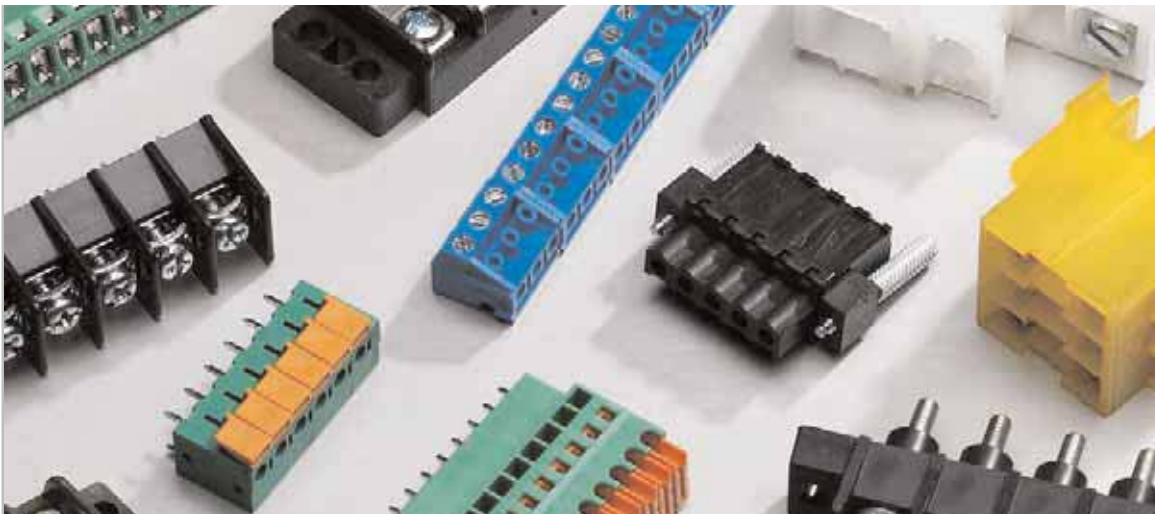


Connect
with
Magnum

Product Catalog

Make Wire Connections Simple and Fast

**COOPER Bussmann**



Connect with Magnum

Proven Products for Demanding Applications

For over 50 years, the Magnum name has stood for proven products, custom solutions, quality commitment and superior service – core strengths that help build long-term relationships with our customers.

Magnum quality products support a broad range of electronic and electrical OEM applications. Our product line offers the most comprehensive selection of barrier-style terminal blocks in the industry – as well as:

- North American-style terminal blocks — single row, double row and tri-barrier
- European-style terminal blocks — PCB mount (spring, cage, tiered, high current), screwless, and pluggable
- Power distribution blocks — barrier and dead front, splicer, stud type, multi-line, and power blocks
- Rail and base mount terminal blocks
- DIN rail sectional blocks
- Junction blocks — stud type and feed through
- Edge connectors — vertical and right angle mount

Electronic: Our electronic products, including PCB mountable North American and Euro-Mag® terminal blocks, are found in a variety of demanding applications:

- Industrial and environmental controls
- Instrumentation
- Security and alarm systems
- Traffic signals and controls
- Telecom
- Process logic control (PLC)
- Test and measurement
- Power supplies
- Elevators and conveyors



European-Style PCB Terminal Blocks: Magnum Euro-Mag® blocks come in a variety

of terminal options to make connections easy and in different wire-entry orientations to solve wire routing issues. These high high-current terminal blocks handle up to 115 amps right on the circuit board and are available in mold-to-length designs to provide the exact number of poles for a specific application.



Terminal Blocks

Single Row

| Series | Centers | Page |
|--------------------------|---------|-------|
| A5000 and CB5000 | 0.250" | 1-2 |
| A1000 and CB1000 | 0.325" | 3-5 |
| A2000, LP2000 and CB2000 | 0.375" | 6-11 |
| A3000, LP3000 and CB3000 | 0.437" | 12-17 |
| A38/B38 | 0.437" | 18-19 |
| A4000 and B4000 | 0.562" | 20-22 |
| All Series Accessories | | 23 |

Filtered

| Series | Centers | Page |
|--------|---------|------|
| F38 | 0.437" | 24 |

Double Row

| Series | Centers | Page |
|-------------------------------|---------|-------|
| TB100 | 0.375" | 25-26 |
| TB200 and TB200HB | 0.437" | 27-28 |
| TB300 and TB345 | 0.562" | 29-30 |
| TB400 | 0.687" | 31-32 |
| Top and Bottom Marking Strips | | 33 |

Standard Base

| Series | Centers | Page |
|----------------|--------------|------|
| TSXX01, TSXX02 | 8.00-13.50mm | 34 |

Flat Base

| Series | Centers | Page |
|----------------|------------------|------|
| TSXX03, TSXX04 | 8.00 and 10.00mm | 35 |

Raised Base

| Series | Centers | Page |
|----------------|------------------|------|
| TSXX05, TSXX06 | 8.00 and 10.00mm | 36 |

EuroMag Series PCB Mount Terminal Blocks

| Series | Centers/Type | Page |
|--------|------------------|------|
| EM3123 | 3.50mm | 38 |
| EM2665 | 5.00mm | 39 |
| EM3660 | 5.00mm | 40 |
| EM3665 | 5.00mm | 41 |
| EM3675 | 5.00mm | 42 |
| EM3127 | 7.50mm | 43 |
| EM2661 | 10.00mm | 44 |
| EM3661 | 10.00mm | 45 |
| EM3671 | 10.00mm | 46 |
| EM3923 | 3.50mm | 47 |
| EM3503 | 3.81mm | 48 |
| EM2585 | 5.00mm | 49 |
| EM3225 | 5.00mm, 35° | 50 |
| EM2205 | 5.00mm, 45° | 51 |
| EM2505 | 5.08mm | 52 |
| EM3228 | 5.08mm, 35° | 53 |
| EM2507 | 7.50mm | 54 |
| EM3227 | 7.50mm, 35° | 55 |
| EM2506 | 7.62mm | 56 |
| EM3226 | 7.62mm, 35° | 57 |
| EM2403 | 9.52mm | 58 |
| EM2803 | 9.52mm, 35° | 59 |
| EM2445 | 5.00mm | 60 |
| EM2448 | 5.08mm | 61 |
| EM2855 | 6.35mm | 62 |
| EM2905 | 7.50mm | 63 |
| EM2908 | 7.62mm | 64 |
| EM9126 | 10.16mm | 65 |
| EM9127 | 15.00mm | 66 |
| EM9128 | 3.81mm, Two-Tier | 67 |

| | | |
|--------|--------------------|----|
| EM2909 | 3.81mm, Three-Tier | 68 |
| EM2919 | 5.00mm, Two-Tier | 69 |
| EM2929 | 5.08mm, Two-Tier | 70 |
| EM2939 | 5.00mm, Three-Tier | 71 |
| EM3905 | 5.00mm, Two-Tier | 72 |
| EM3908 | 5.08mm, Three-Tier | 73 |

EuroMag Series PCB Mount Screwless Terminal Blocks

| Series | Centers/Type | Page |
|--------|--------------|------|
| EM2742 | 2.54mm | 74 |
| EM2783 | 3.50mm, 45° | 75 |
| EM2802 | 2.54mm, 30° | 76 |
| EM2785 | 5.00mm, 45° | 77 |
| EM2778 | 5.08mm | 78 |
| EM2795 | 5.08mm | 79 |
| EM2796 | 7.62mm | 80 |
| EM2791 | 10.16mm | 81 |
| EM2816 | 7.62mm, 60° | 82 |

EuroMag Series PCB Mount Pluggable Terminal Blocks

| Series | Centers/Type | Page |
|--------|------------------|------|
| EM3533 | 3.50mm, Plug | 83 |
| EM2221 | 3.50mm, Header | 84 |
| EM2413 | 3.50mm, Plug | 85 |
| EM2201 | 3.50mm, Header | 86 |
| EM3553 | 3.81mm, Plug | 87 |
| EM3543 | 3.81mm, Plug | 88 |
| EM3583 | 3.81mm, IDC Plug | 89 |
| EM3593 | 3.81mm, Header | 90 |
| EM2423 | 3.81mm, Plug | 91 |
| EM2443 | 3.81mm, Plug | 92 |
| EM2211 | 3.81mm, Header | 93 |
| EM2525 | 5.00mm, Plug | 94 |
| EM2485 | 5.00mm, Plug | 95 |
| EM3105 | 5.00mm, Plug | 96 |
| EM2535 | 5.00mm, Header | 97 |
| EM2565 | 5.08mm, Plug | 98 |
| EM2488 | 5.08mm, Plug | 99 |
| EM3108 | 5.08mm, Plug | 100 |
| EM2575 | 5.08mm, Header | 101 |
| EM2115 | 5.00mm, Plug | 102 |
| EM3115 | 5.00mm, Plug | 103 |
| EM2215 | 5.08mm, Plug | 104 |
| EM2118 | 5.00mm, Header | 105 |
| EM3118 | 5.08mm, Plug | 106 |
| EM2218 | 5.08mm, Header | 107 |
| EM3516 | 7.62mm, Plug | 108 |
| EM3526 | 7.62mm, Header | 109 |
| EM2416 | 7.62mm, Plug | 110 |
| EM2426 | 7.62mm, Header | 111 |
| EM5015 | 5.00mm, Plug | 112 |
| EM5025 | 5.00mm, Header | 113 |
| EM5035 | 5.00mm, Plug | 114 |
| EM5045 | 5.00mm, Header | 115 |

Terminal Blocks:
Single & Double Row

EuroMag Series

Terminal Blocks:
Base & Rail Mount

Power Distribution
Blocks

Wire Management
Products

Edge Connectors,
One-Strided Boards

Compliance
References

This catalog is intended to present product data and provide technical information that will help the end user with design application. Cooper Bussmann reserves the right, without notice, to change design or construction or any products and to discontinue or limit distribution of any products. Cooper Bussmann also reserves the right to change or update, without notice, any technical information contained in this catalog. Once a product has been selected, it should be tested by the user in all possible applications. Further, Cooper Bussmann takes no responsibility for errors or omissions contained in this catalog, or for mis-application of any Cooper Bussmann product.
©2009 Cooper Bussmann

Terminal Blocks:
Single & Double Row

| Rail Mount Terminal Blocks and Accessories | | | 116 |
|--|---------|------|-----|
| Series | Centers | Page | |
| NDN63 | 0.375" | 117 | |
| NDN1 | 0.635" | 117 | |
| NDN11 | 0.635" | 117 | |
| NDNV4 | 0.250" | 118 | |
| NDN3 | 0.300" | 118 | |
| N512 | 0.197" | 119 | |
| NFT2 | 0.281" | 119 | |
| NFT3 | 0.390" | 119 | |
| NC3 | 1.06" | 120 | |
| NSE3 | 1.06" | 120 | |
| NSS3 | 0.385" | 120 | |

EuroMag Series

| Depluggable Rail Mount Terminal Blocks | | | |
|--|---------|------|--|
| Series | Centers | Page | |
| PLU3 | 0.390" | 121 | |
| PLU1 | 0.625" | 121 | |
| PSU1 | 0.625" | 121 | |

Terminal Blocks:
Base & Rail Mount

| Rail Mount Fuse Holding Terminal Blocks | | Page |
|---|--|------|
| Series | | Page |
| NDNF1 | | 122 |
| NDND1 (Non Fused) | | 122 |
| NDFD1 (Fuse) | | 122 |
| NDNFLD1 (Fused with Visual Indicator) | | 122 |

Power Distribution
Blocks

| Quick Connect Terminal Blocks | | | |
|-------------------------------|---------|------|--|
| Series | Centers | Page | |
| NTQ23 | 0.390" | 123 | |
| BNQ21 | 0.437" | 123 | |
| BQQ41 | 0.437" | 123 | |

Wire Management
Products

| Base Mount Terminal Blocks | | | |
|----------------------------|---------|------|--|
| Series | Centers | Page | |
| KT3 | 0.390" | 124 | |
| KT4 | 0.250" | 124 | |
| PLK3 | 0.390" | 124 | |

Edge Connectors,
One-Sided Boards

| Disconnect Terminal Blocks | | | |
|----------------------------|---------|------|--|
| Series | Centers | Page | |
| 15188 | 0.375" | 125 | |
| 15288 | 0.54" | 126 | |

Compliance
References

| Base Mount Double Row Terminal Blocks | | | |
|---------------------------------------|---------|------|--|
| Series | Centers | Page | |
| KU | 0.625" | 127 | |

| Quick-Connect Power Distribution Blocks | | | |
|---|---------|------|--|
| Series | Centers | Page | |
| 11675 | 0.56" | 128 | |
| 11725 | 0.68" | 128 | |

| Barrier Terminal Blocks | | Page |
|-------------------------|--|------|
| Series | | Page |
| 14002 | | 129 |

| Dead Front Terminal Blocks | | | |
|----------------------------|---------|------|--|
| Series | Centers | Page | |
| 14004 | 0.50" | 129 | |

| Splicer Terminal Blocks | | Page |
|-------------------------|--|------|
| Series | | Page |
| 160, 162, 163 and 165 | | 130 |

| Power Distribution Blocks | | Page |
|---------------------------|--|------|
| Series | | Page |
| Finger-Safe | | 131 |
| 160, 162, 163 and 165 | | 132 |

| Connector/Stud Power Distribution Blocks | | Page |
|--|--|------|
| Series | | Page |
| 162, 163 and 165 | | 133 |

| Power Blocks | | | |
|--------------|---------|------|--|
| Series | Centers | Page | |
| EN | 1.78" | 134 | |

| Wire Management Products | | Page |
|--------------------------|--|------|
| Series | | Page |
| | | 135 |

| Photo Control Receptacle | | | 135 |
|---------------------------|---------|---------|-----|
| Stud Type Junction Blocks | | | |
| Series/Type | Centers | Page | |
| C4559 and C6083 | 0.75" | 136 | |
| C5237 and JB1032 | 0.625" | 136-137 | |

| Power Feed Thru Terminal Blocks | | | |
|---------------------------------|---------|------|--|
| Series | Centers | Page | |
| C7021 | 0.69" | 138 | |
| C7024 | 0.750" | 139 | |

| Depluggable PCB Mount Terminal Blocks | | | |
|---------------------------------------|---------|------|--|
| Series | Centers | Page | |
| 15133 | 0.375" | 140 | |

| Edge Connectors - One-Sided Boards | | | |
|------------------------------------|---------|------|--|
| Vertical Mount | | | |
| Series | Centers | Page | |
| 1384X | 0.375" | 141 | |

| Right Angle Mount | | | |
|-------------------|---------|------|--|
| Series | Centers | Page | |
| 15104 | 0.375" | 142 | |

| Compliance References | | 143 |
|-----------------------|--|-----|
|-----------------------|--|-----|

This catalog is intended to present product data and provide technical information that will help the end user with design application. Cooper Bussmann reserves the right, without notice, to change design or construction or any products and to discontinue or limit distribution of any products. Cooper Bussmann also reserves the right to change or update, without notice, any technical information contained in this catalog. Once a product has been selected, it should be tested by the user in all possible applications. Further, Cooper Bussmann takes no responsibility for errors or omissions contained in this catalog, or for mis-application of any Cooper Bussmann product.

©2009 Cooper Bussmann

Series A5000 & Series CB5000

Single Row Terminal Blocks

SPECIFICATIONS

Rating: 10A, 300V*

Center Spacing: 0.250" (6.35mm)

Wire Range: #18-30 AWG CU

Screw Size: #3-48 zinc-plated phillslot SEMS screws, wire-ready standard

Torque Rating: 4 lb-in.

Distance Between Barriers: 0.20" (5.08mm)

Recommended PCB Hole Diameter: 0.062" (1.57mm)

Operating Temperature: 105°C (221°F) max., -40°C (-40°F) min.

Molded Material: Black, UL Rated 94V0 Thermoplastic

Breakdown Voltage: 1600V rms

Agency Information: UL File E62622; CE Certified

* Max. rating shown; some options may be rated lower – consult factory.

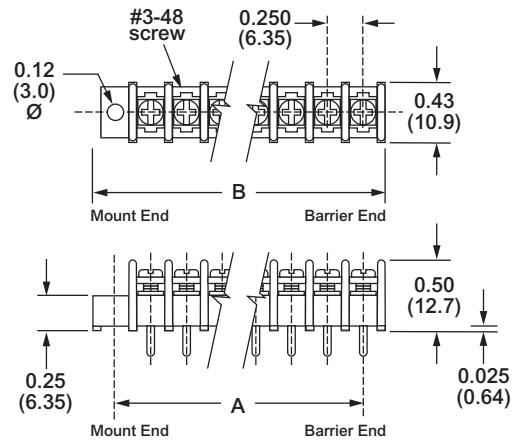


| Poles | MOUNTING ENDS | | BARRIER ENDS | |
|-------|-----------------|------------------|----------------|------------------|
| | A Mount Centers | B Overall Length | A Pole Centers | B Overall Length |
| 02 | 0.75 | 1.06 | 0.25 | 0.56 |
| 03 | 1.00 | 1.31 | 0.50 | 0.81 |
| 04 | 1.25 | 1.56 | 0.75 | 1.06 |
| 05 | 1.50 | 1.81 | 1.00 | 1.31 |
| 06 | 1.75 | 2.06 | 1.25 | 1.56 |
| 07 | 2.00 | 2.31 | 1.50 | 1.81 |
| 08 | 2.25 | 2.56 | 1.75 | 2.06 |
| 09 | 2.50 | 2.81 | 2.00 | 2.31 |
| 10 | 2.75 | 3.06 | 2.25 | 2.56 |
| 11 | 3.00 | 3.31 | 2.50 | 2.81 |
| 12 | 3.25 | 3.56 | 2.75 | 3.06 |
| 13 | 3.50 | 3.81 | 3.00 | 3.31 |
| 14 | 3.75 | 4.06 | 3.25 | 3.56 |
| 15 | 4.00 | 4.31 | 3.50 | 3.81 |
| 16 | 4.25 | 4.56 | 3.75 | 4.06 |
| 17 | 4.50 | 4.81 | 4.00 | 4.31 |
| 18 | 4.75 | 5.06 | 4.25 | 4.56 |
| 19 | 5.00 | 5.31 | 4.50 | 4.81 |
| 20 | 5.25 | 5.56 | 4.75 | 5.06 |
| 21 | 5.50 | 5.81 | 5.00 | 5.31 |
| 22 | 5.75 | 6.06 | 5.25 | 5.56 |
| 23 | 6.00 | 6.31 | 5.50 | 5.81 |
| 24 | 6.25 | 6.56 | 5.75 | 6.06 |
| 25 | 6.50 | 6.81 | 6.00 | 6.31 |
| 26 | 6.75 | 7.06 | 6.25 | 6.56 |
| 27 | 7.00 | 7.31 | 6.50 | 6.81 |
| 28 | 7.25 | 7.56 | 6.75 | 7.06 |
| 29 | - | - | 7.00 | 7.31 |
| 30 | - | - | 7.25 | 7.56 |

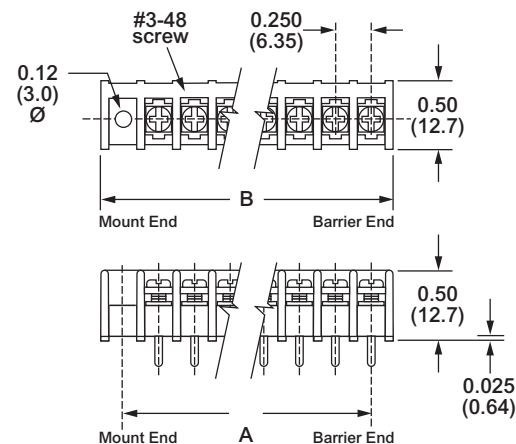
* Dimensions in inches. To convert to millimeters, multiply by 25.4.

Dimensions - in (mm)

A5000 Series



CB5000 Series



Terminal Blocks:
Single & Double Row

EuroMag Series

Terminal Blocks:
Base & Rail Mount

Power Distribution
Blocks

Wire Management
Products

Edge Connectors,
One-Strided Boards

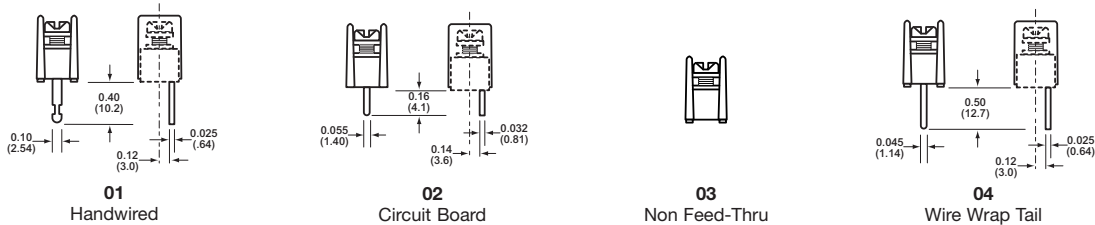
Compliance
References

Part Numbering System

| Series | Terminal Style | Base/End | Poles | Screw Options | Options |
|--|---|--|--|---|--|
| A5 CB5 | | | | | |
| A5 - standard barrier CB5 - closed back | 01 - handwired 02 - printed circuit 03 - non feed-thru 04 - wire wrap tail | 1 - mount end 2 - barrier end | 02 to 30 02 to 28 on mount end base | 07 - steel SEMS std. wire ready | C1 to C8 - 0.110" QC L1 to L6 marking options (pg 22) LT1 to LT6 marking options (CB5 only-pg 22) MP - mounting plate 0.120" dia * OJ - over barrier jumper S1 - single solder lug/flat S2 - double solder lug/flat (A5 only) *Contact factory for configuration |

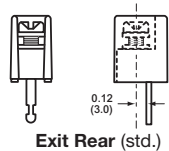
Terminal Styles

Inches (Millimeters)

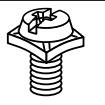


CB5 Terminal Exit Options

Inches (Millimeters)



Screw Options Wire ready screws standard on all terminal styles (Bulk ordering part numbers are in parentheses.)



07
Steel SEMS
Zinc-Plated
(B001-7035-J)



07
Standard
Wire Ready

Hardware Options (Bulk ordering part numbers are in parentheses.)

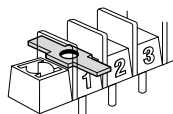
Inches (Millimeters)

Jumpers

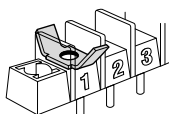


(OJ12-J)

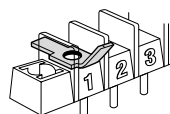
Quick Connects Blade Width 0.110" (For other orientations, contact factory.)



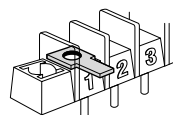
(5C1-J)*



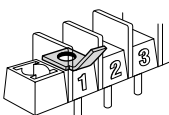
(5C2-J)*



(5C4-J)*



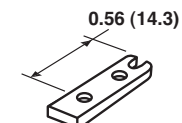
C7 (5C7-J)



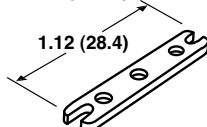
C8 (5C8-J)

* N/A on CB5 Series.

Solder Lugs



S1 (5S1-J)



S2 (5S2-J)

Series A1000 & Series CB1000 Single Row Terminal Blocks

SPECIFICATIONS

Rating: 20A, 250V*

Center Spacing: 0.325" (8.26mm)

Wire Range: #14-22 AWG CU

Screw Size: #6-32 zinc-plated phillot wire-ready screws with a #2 driving recess.

Torque Rating: 9 lb-in.

Base: Standoffs are standard on CB1000 Series for easy flux washing.

Distance Between Barriers: 0.26" (6.6mm)

Recommended PCB Hole Diameter: 0.070" (1.78mm)

Operating Temperature: 105°C (221°F) max., -40°C (-40°F) min.

Molded Material: Black, UL Rated 94V0 Thermoplastic

Breakdown Voltage: 1600V

Agency Information: UL/CSA; IEC Compliance;

CE Certified; UL File: E62622, CSA File: 15364

*General industrial applications



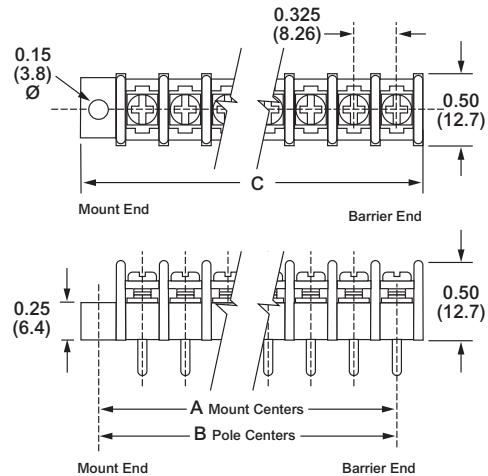
CB10210707



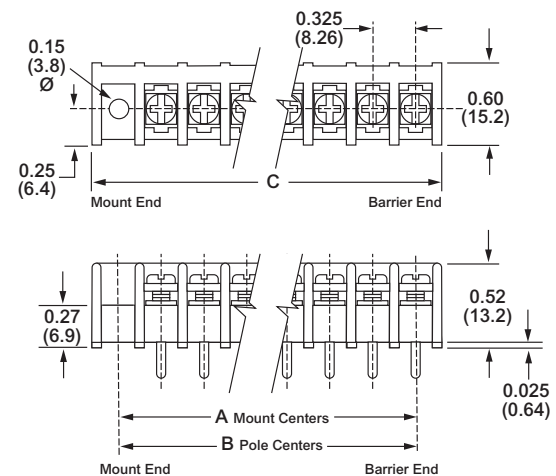
A102206

Dimensions - in (mm)

A1000 Series



CB1000 Series



| Poles | MOUNTING ENDS ONLY | | BARRIER & MOUNTING ENDS B Pole Ctrs. | BARRIER ENDS ONLY C Length |
|-------|--------------------|-------------|--|----------------------------------|
| | A Mount Ctrs. | C Length | | |
| 02 | 0.98 | 1.37 | 0.33 | 0.72 |
| 03 | 1.30 | 1.69 | 0.65 | 1.04 |
| 04 | 1.63 | 2.02 | 0.98 | 1.37 |
| 05 | 1.95 | 2.34 | 1.30 | 1.69 |
| 06 | 2.28 | 2.67 | 1.63 | 2.02 |
| 07 | 2.60 | 2.99 | 1.95 | 2.34 |
| 08 | 2.93 | 3.32 | 2.28 | 2.67 |
| 09 | 3.25 | 3.64 | 2.60 | 2.99 |
| 10 | 3.58 | 3.97 | 2.93 | 3.32 |
| 11 | 3.90 | 4.29 | 3.25 | 3.64 |
| 12 | 4.23 | 4.62 | 3.58 | 3.97 |
| 13 | 4.55 | 4.94 | 3.90 | 4.29 |
| 14 | 4.88 | 5.27 | 4.23 | 4.62 |
| 15 | 5.20 | 5.59 | 4.55 | 4.94 |
| 16 | 5.53 | 5.92 | 4.88 | 5.27 |
| 17 | 5.85 | 6.24 | 5.20 | 5.59 |
| 18 | 6.18 | 6.57 | 5.53 | 5.92 |
| 19 | 6.50 | 6.89 | 5.85 | 6.24 |
| 20 | 6.83 | 7.22 | 6.18 | 6.57 |
| 21 | 7.15 | 7.54 | 6.50 | 6.89 |
| 22 | 7.48 | 7.87 | 6.83 | 7.22 |
| 23 | 7.80 | 8.19 | 7.15 | 7.54 |
| 24 | 8.13 | 8.52 | 7.48 | 7.87 |
| 25 | 8.45 | 8.84 | 7.80 | 8.19 |
| 26 | 8.78 | 9.17 | 8.13 | 8.52 |
| 27 | 9.10 | 9.49 | 8.45 | 8.84 |
| 28 | 9.43 | 9.82 | 8.78 | 9.17 |
| 29 | 9.75 | 10.14 | 9.10 | 9.49 |
| 30 | 10.08 | 10.47 | 9.43 | 9.82 |
| 31 | 10.40 | 10.79 | 9.75 | 10.14 |
| 32 | 10.73 | 11.12 | 10.08 | 10.47 |
| 33 | 11.05 | 11.44 | 10.40 | 10.79 |
| 34 | 11.38 | 11.77 | 10.73 | 11.12 |
| 35 | - | - | 11.05 | 11.44 |
| 36 | - | - | 11.38 | 11.77 |

* Dimensions in inches. To convert to millimeters, multiply by 25.4.

Terminal Blocks:
Single & Double Row

EuroMag Series

Terminal Blocks:
Base & Rail Mount

Power Distribution
Blocks

Wire Management
Products

Edge Connectors,
One-Strided Boards

Compliance
References

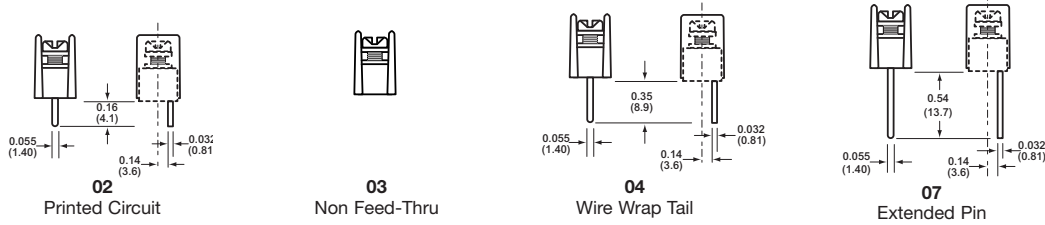
Part Numbering System

| Series | Terminal Style | Base/End | Poles | Screw Options | Options |
|--|--|--|-------|---|---|
| A1 | | | | | |
| CB1 | | | | | |
| A1 - standard barrier CB1 - closed back | 02 - printed circuit 03 - non feed-thru 04 - wire wrap tail 07 - extended pin | 1 - mount end 2 - barrier end | | Blank - std. screws 03 - stainless steel 04 - nickel brass 07 - steel SEMS & washer (not available with hardware options) 09 - brass/nickel-plated SEMS CA - standard captive screw | AB & DR - angle mts. (A1 only-pg 5) B1 to B9 - 0.187" QC (all positions) EB - exit back terminals on CB1 w/07 screw option only † JA, JB & JC - barrier jumpers L1 to L6 marking options (pg 22) LT1 to LT6 marking options (CB1 only-pg 22) MP & MT - mounting plates 0.150 dia (pg 5) R26 & R45 - right angle bends (A1 only-pg 5) |

Covers - (pg 23)

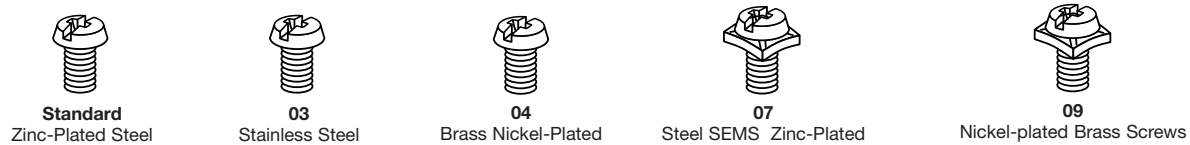
Terminal Styles

Inches (Millimeters)



Screw Options

Wire ready screws standard on all terminal styles



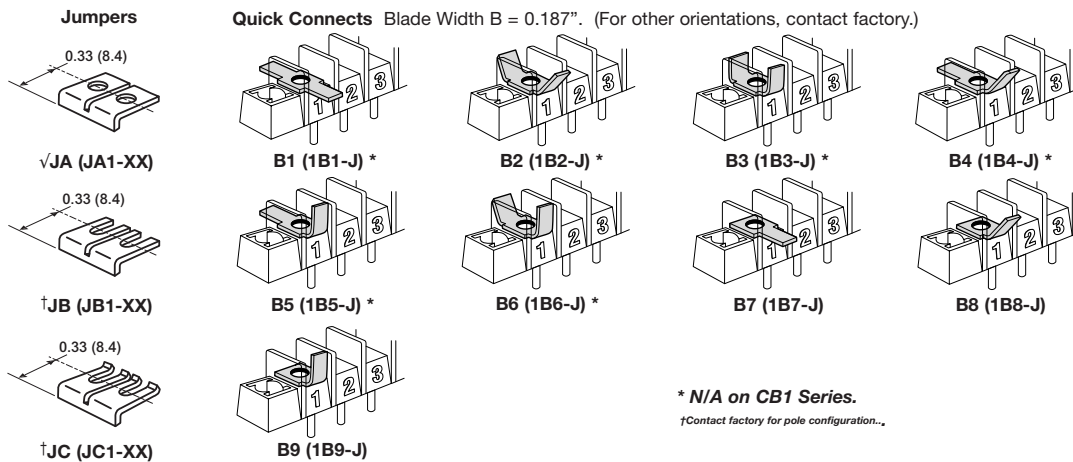
CB1 Terminal Exit Options

Inches (Millimeters)



Hardware Options

Inches (Millimeters)



* N/A on CB1 Series.

†Contact factory for pole configuration...

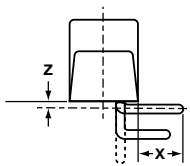
Series A1000 & CB1000

Single Row Terminal Blocks *Continued*

Mounting Options Inches (Millimeters)

Right Angle Bends (A1 only)

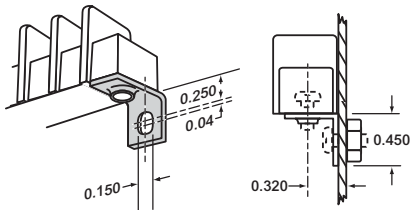
Right angle terminals are offered on the A1000 Series. Configurations are defined in these dimensions: X = pin extension beyond the block base; Z = length from block base to centerline of the terminal tip. Standard bends consist of the X and Z dimensions shown in the chart. Specify by adding the selected Bend Option Code to the terminal part number.



| Bend Option Code | X (minimum) | Z |
|------------------------|-------------|------------|
| R26 (04 terminal only) | 0.14 (3.5) | 0.09 (2.3) |
| R45 (07 terminal only) | 0.33 (8.4) | 0.09 (2.3) |

Dimensions in inches. To convert to millimeters, multiply by 25.4.

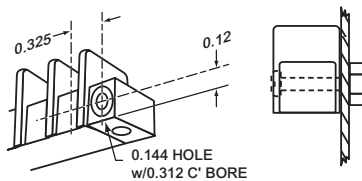
Angle Brackets (A1 only)



Option AB

Angle brackets enable block to be fastened at right angles to normal mount position. Bulk part number **1AB-J**.

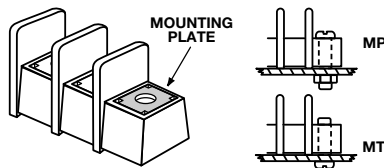
Drilled Right Angle (A1 only)



Option DR

Counterbored holes across mount ends of block enable fastening with two screws at right angles to normal mount position.

Mounting Plates



Options MP & MT

MP Metal inserts with 0.150" (3.8) dia. hole accept #6 screw. **MT** Metal inserts with tapped hole accept #6-32 screw. Bulk part numbers **1MP-J** & **1MT-J**.

Terminal Blocks:
Single & Double Row

EuroMag Series

Terminal Blocks:
Base & Rail Mount

Power Distribution
Blocks

Wire Management
Products

Edge Connectors,
One-Strided Boards

Compliance
References

Series A2000, LP2000 & CB2000 Single Row Terminal Blocks

SPECIFICATIONS

Rating: A2: 30A, 300V*
LP2: 30A, 150V*
CB2: 30A, 300V*

Center Spacing: 0.375" or 3/8" (9.52mm)

Wire Range: #12-22 AWG CU

Screw Size: #6-32 zinc-plated phillslot

Torque Rating: 9 lb-in.

Base: Standoffs standard for easy flux washing

Distance Between Barriers: 0.32" (8.1mm)

Recommended PCB Hole Diameter: 0.076" (1.93mm)

Operating Temperature: 105°C (221°F) max., -40°C (-40°F) min.

Molded Material: Black, UL Rated 94V0 Thermoplastic

Breakdown Voltage: 3400V (A2 & LP2); 4100V (CB2).

Agency Information: UL File E62622, CSA File 47235;

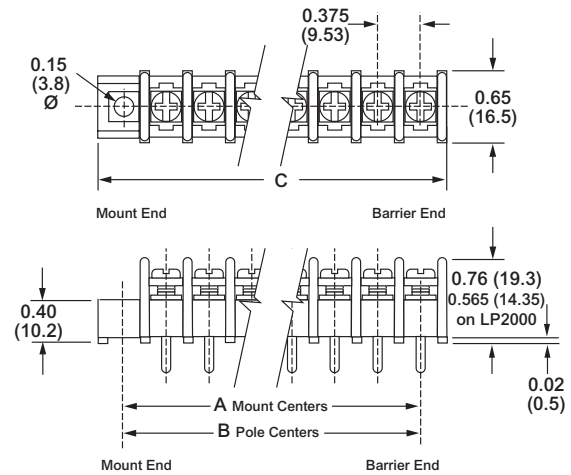
IEC Compliance; CE Certified

*30A Rating achieved with a #10 copper wire crimped to a ring terminal.;
20A Rating without ring terminal.

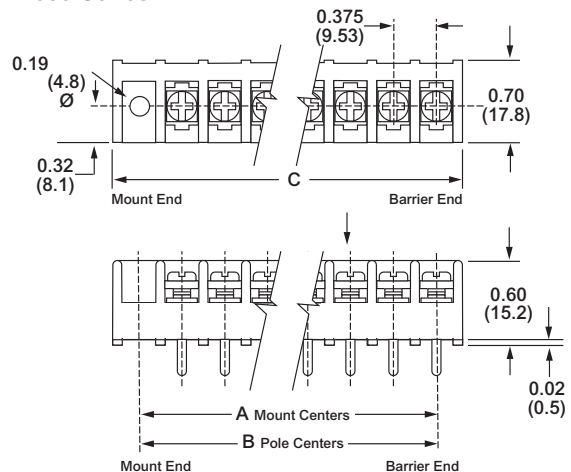


Dimensions - in (mm)

A2000 & LP2000 Series



CB2000 Series



| Poles | MOUNTING ENDS ONLY | | BARRIER & MOUNTING ENDS B Pole Ctrs. | BARRIER ENDS ONLY C Length |
|-------|--------------------|----------|--------------------------------------|----------------------------|
| | A Mount Ctrs. | C Length | | |
| 02 | 1.13 | 1.56 | 0.38 | 0.81 |
| 03 | 1.50 | 1.93 | 0.75 | 1.18 |
| 04 | 1.88 | 2.30 | 1.13 | 1.56 |
| 05 | 2.25 | 2.68 | 1.50 | 1.93 |
| 06 | 2.63 | 3.06 | 1.88 | 2.31 |
| 07 | 3.00 | 3.43 | 2.25 | 2.68 |
| 08 | 3.38 | 3.81 | 2.63 | 3.06 |
| 09 | 3.75 | 4.18 | 3.00 | 3.43 |
| 10 | 4.13 | 4.56 | 3.38 | 3.81 |
| 11 | 4.50 | 4.93 | 3.75 | 4.18 |
| 12 | 4.88 | 5.31 | 4.13 | 4.56 |
| 13 | 5.25 | 5.69 | 4.50 | 4.93 |
| 14 | 5.63 | 6.06 | 4.88 | 5.31 |
| 15 | 6.00 | 6.43 | 5.25 | 5.68 |
| 16 | 6.38 | 6.81 | 5.63 | 6.06 |
| 17 | 6.75 | 7.18 | 6.00 | 6.43 |
| 18 | 7.13 | 7.56 | 6.38 | 6.81 |
| 19 | 7.50 | 7.93 | 6.75 | 7.18 |
| 20 | 7.88 | 8.31 | 7.13 | 7.56 |
| 21 | 8.25 | 8.68 | 7.50 | 7.93 |
| 22 | 8.63 | 9.06 | 7.88 | 8.31 |
| 23 | 9.00 | 9.43 | 8.25 | 8.68 |
| 24 | 9.38 | 9.81 | 8.63 | 9.06 |
| 25 | 9.75 | 10.18 | 9.00 | 9.43 |
| 26 | 10.13 | 10.56 | 9.38 | 9.81 |
| 27 | 10.50 | 10.93 | 9.75 | 10.18 |
| 28 | 10.88 | 11.31 | 10.13 | 10.55 |
| 29 | 11.25 | 11.68 | 10.50 | 10.93 |
| 30 | 11.63 | 12.05 | 10.88 | 11.31 |
| 31 | - | - | 11.25 | 11.68 |
| 32 | - | - | 11.63 | 12.05 |

* Dimensions in inches. To convert to millimeters, multiply by 25.4.

Terminal Blocks: Single & Double Row
EuroMag Series
Terminal Blocks: Base & Rail Mount
Power Distribution Blocks
Wire Management Products
Edge Connectors, One-Sided Boards
Compliance References

Series A2000 & LP2000 Single Row Terminal Blocks

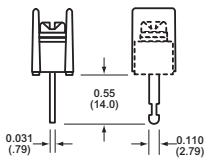
Part Numbering System

| Series | Terminal Style | Base/End | Poles | Screw Options | Options |
|--|--|---|--|--|---|
| A 2 | | | | | |
| LP 2 | | | | | |
| A2 - standard barrier LP2 - low profile barrier | 01 - handwired 02 - printed circuit 03 - non feed-thru 04 - wire wrap tail 05 - extended handwired 06 - handwired 07 - extended pin 08 - printed circuit 09 - 0.250" QC short 10 - 0.187" QC 14 - printed circuit 19 - 0.250" QC long | 0 - flat base/molded mount end 1 - flat base/mnt. end 2 - flat base/barrier end 3 - insulator base/mnt. end 4 - insulator base/barrier end 5 - closed base/mount end 6 - closed base/molded mount end 9 - insulator base/molded mount end Base/End Note: 0, 6, 9 styles not available with covers. 5 & 6 Styles only available with 03 terminals. | 02 to 32 02 to 30 on mount end base | Blank - std. screw 00 - screws shipped bulk 03 - stainless steel 04 - brass nickel-plated 07 - steel SEMS (not available with hardware options) 09 - brass SEMS nickel-plated (not available with hardware options) CA - captive screw WR - wire ready (not available on LP2 series) | AB - angle mnt. options (pg 9) A1 to A9 - 0.250" QC B1 to B9 - 0.187" QC DR - drilled right angle (pg 9) † JA, JB & JC - barrier jumpers L1 to L6 marking options (pg 22) MP, MP8 & MT mounting plates (pg 9) † OJ2 & OJ4 - over barrier jumpers (not available w/covers) RC - retaining clips (pg 9) R30 to R77 - right angle bends (pg 9) SO - stand off insulators (pg 9) S1 - solder lug/flat Covers - (pg 23) |

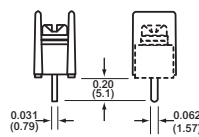
†Contact factory for configuration..

Terminal Styles

Inches (Millimeters)



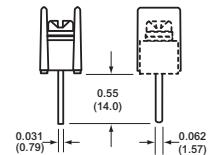
01
Handwired



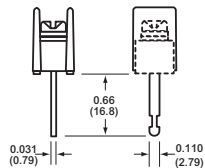
02
Printed Circuit



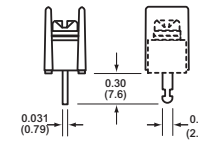
03
Non Feed-Thru



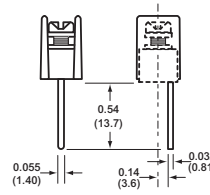
04
Wire Wrap Tail



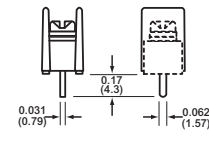
05
Extended Handwired



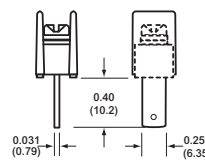
06
Handwired



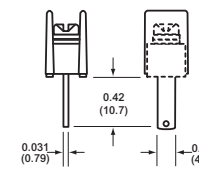
07
Extended Pin



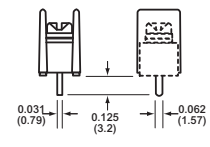
08
Printed Circuit



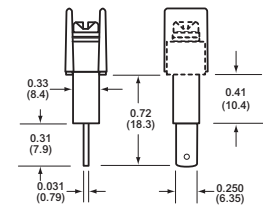
09
0.250" QC short



10
0.187" QC



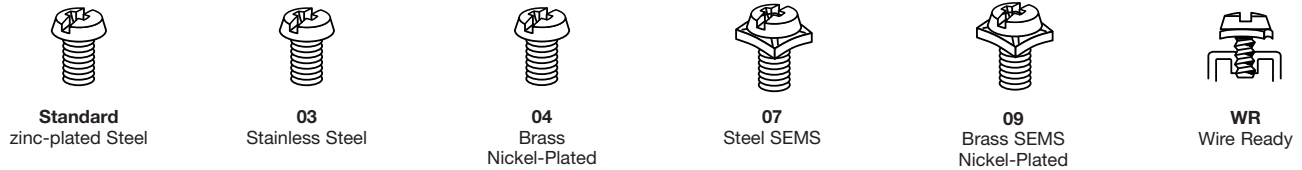
14
Printed Circuit



19
√0.250" QC long

Series A2000 & LP2000 Single Row Terminal Blocks *Continued*

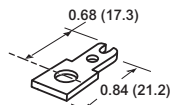
Screw Options



Hardware Options (Bulk ordering part numbers are in parentheses.)

Inches (Millimeters)

Solder Lugs



S1
(2S1-J)

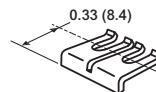
Jumpers



1JA
(JA2-XX-J)



1JB
(JB2-XX-J)



1JC
(JC2-XX-J)

†Contact factory for configuration.



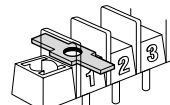
1OJ2
(OJ2-J)



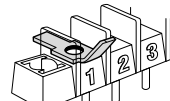
1OJ4
(OJ4-J)

Quick Connects

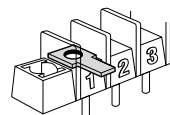
Blade Width A = 0.250" Blade Width B = 0.187"



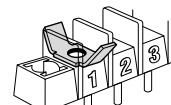
A1 & B1
(2A1-J & 2B1-J)



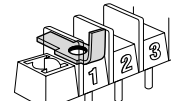
A4 & B4
(2A4-J & 2B4-J)



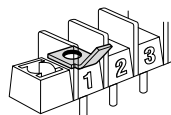
A7 & B7
(2A7-J & 2B7-J)



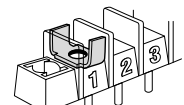
A2 & B2
(2A2-J & 2B2-J)



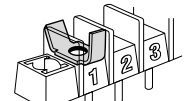
A5 & B5
(2A5-J & 2B5-J)



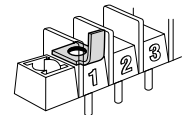
A8 & B8
(2A8-J & 2B8-J)



A3 & B3
(2A3-J & 2B3-J)



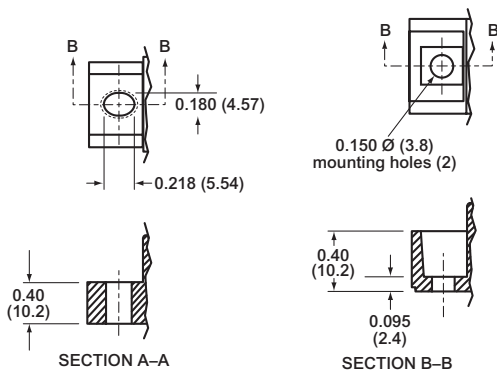
A6 & B6
(2A6-J & 2B6-J)



A9 & B9
(2A9-J & 2B9-J)

Base/End Options

Inches (Millimeters)



0, 6 & 9
Molded Mount End

1, 3 & 5
Mount End

Series A2000 & LP2000

Single Row Terminal Blocks *Continued*

Terminal Blocks:
Single & Double Row

EuroMag Series

Terminal Blocks:
Base & Rail Mount

Power Distribution
Blocks

Wire Management
Products

Edge Connectors,
One-Strided Boards

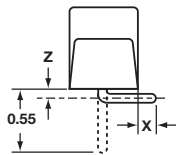
Compliance
References

Mounting Options

Right Angle Bends (A2, LP2 only)

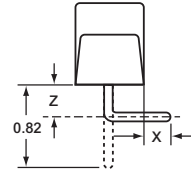
Right angle terminals are offered on the A2000 & LP2000 Series. Configurations are defined in these dimensions: X = pin extension beyond the block base; Z = length from block base to centerline of the terminal tip. Standard bends consist of the X and Z dimensions shown in the chart. Specify by adding the selected Bend Option Code to the terminal part number.

04 Terminal Bend Configurations



| Bend Option Code | X (minimum) | Z | Available w/insulator base |
|------------------|-------------|------|----------------------------|
| R30 | 0.04 | 0.28 | No |
| R35 | 0.01 | 0.23 | No |
| R36 | 0.02 | 0.22 | No |
| R39 | 0.05 | 0.19 | No |
| R42 | 0.08 | 0.16 | No |
| R46 | 0.12 | 0.12 | No |
| R48 | 0.14 | 0.10 | No |
| R50 | 0.16 | 0.08 | No |

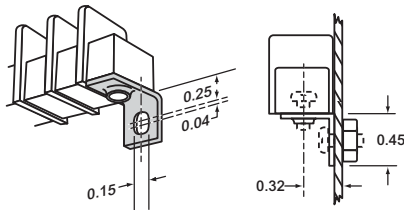
07 Terminal Bend Configurations



| Bend Option Code | X (minimum) | Z | Available w/insulator base |
|------------------|-------------|------|----------------------------|
| R30 | 0.04 | 0.55 | Yes |
| R35 | 0.01 | 0.50 | Yes |
| R36 | 0.02 | 0.49 | Yes |
| R42 | 0.08 | 0.43 | Yes |
| R46 | 0.12 | 0.39 | Yes |
| R50 | 0.16 | 0.35 | No |
| R53 | 0.19 | 0.32 | No |
| R66 | 0.32 | 0.19 | No |
| R69 | 0.35 | 0.16 | No |
| R75 | 0.41 | 0.10 | No |
| R77 | 0.43 | 0.08 | No |

Dimensions in inches. To convert to millimeters, multiply by 25.4.

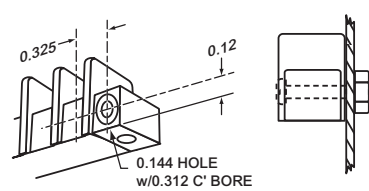
Angle Brackets (A2, LP2 only)



Option AB

Angle brackets enable block to be fastened at right angles to normal mount position. Bulk part number **2AB-J**.

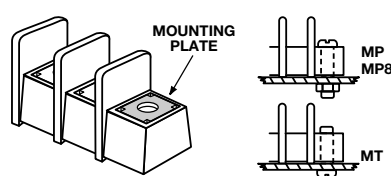
Drilled Right Angle (A2, LP2 only)



Option DR

Counterbored holes across mount ends of block enable fastening with two screws at right angles to normal mount position.

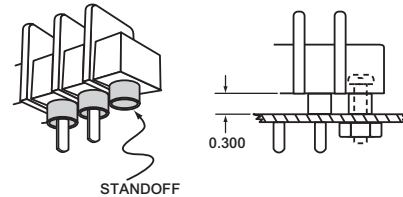
Mounting Plates



Options MP, MP8 & MT

MP Metal inserts with 0.150" dia. hole accept #6 screw. **MP8** Metal inserts with 0.187" dia. hole accept #8-32 screw. **MT** Metal inserts with tapped hole accept #6-32 screw.

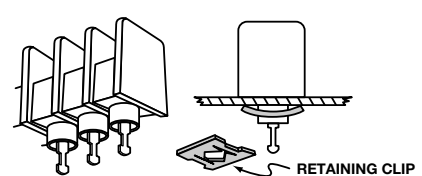
Standoffs



Option SO

Standoff mounts are tubes molded to the mounting positions. Available with insulator bases only.

Retaining Clip



Option RC

Use on standoff tubes. Fit panels up to 0.125" thick. Two clips for every five positions. Supplied unassembled. Bulk part number **H541-J**.

Series CB2000

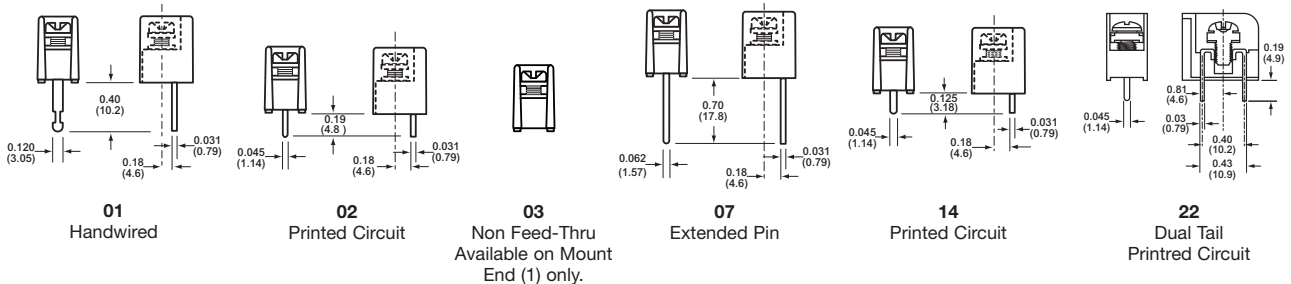
Single Row Terminal Blocks

Part Numbering System

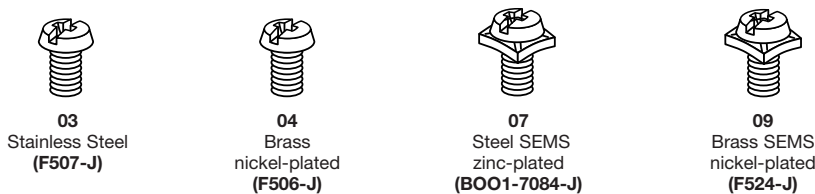
| Series | Terminal Style | Base/End | Poles | Screws | Options |
|---|---|--|---|--|--|
| | | | | | |
| CB2 - closed back | 01 - handwired 02 - printed circuit 03 - non feed-thru 07 - extended pin 14 - printed circuit 22 - dual tail printed circuit | 1 - mount end 2 - barrier end | 02 to 32 on mount end base | 03 - stainless steel 04 - brass nickel-plated 07 - steel SEMS standard 09 - brass SEMS nickel-plated CA - captive screw 07CA - SEMS captive | * AB - angle mounting brackets (pg 11) A7 to A9 - 0.250" QC B7 to B9 - 0.187" QC EB - exit back terminals EF - exit front terminals † JA, JB & JC - barrier jumpers L1 to L6 marking options (pg 22) LT1 to LT6 marking options (pg 22) † OJ2 & OJ4 - over barrier jumpers MP, MP8, MT & MT8 mtg. plates (pg 11) S1 - solder lug/flat |
| *Only available on 3-poles and up. †Contact factory for configuration. | | | | | |

Terminal Styles

Inches (Millimeters)



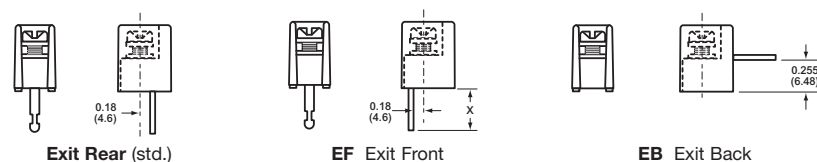
Screw Options (Bulk ordering part numbers are in parentheses.)



* NOTE: Wire ready screws standard on all terminal styles.

CB2 Terminal Exit Options

Inches (Millimeters)

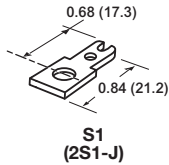


Series CB2000 Single Row Terminal Blocks

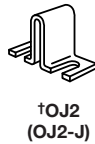
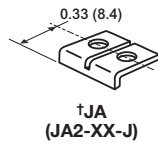
Hardware Options (Bulk ordering part numbers are in parentheses.)

Inches (Millimeters)

Solder Lugs

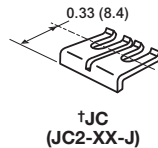
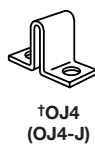
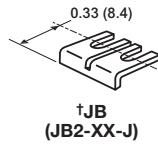
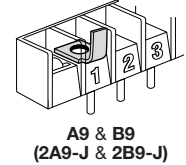
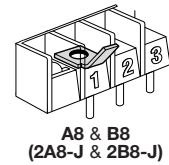
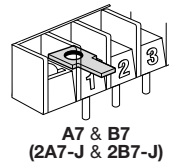


Jumpers



Quick Connects

Blade Width A = 0.250". Blade Width B = 0.187".

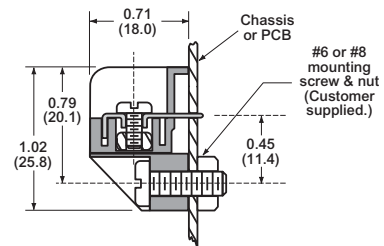
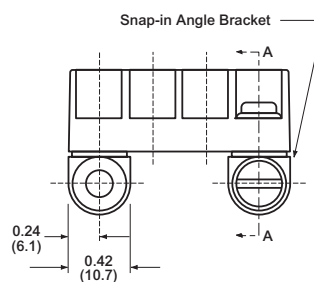
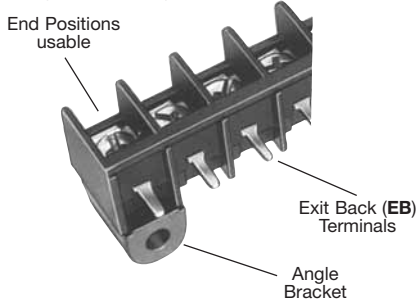


†Contact factory for configuration.

Mounting Options

Inches (Millimeters)

Right Angle Mounting Bracket

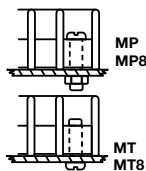
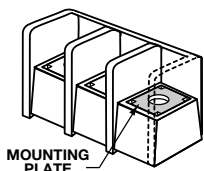


Option AB

Mounts blocks on PC boards at a right angle.

- Protects solder joints.
- Recommended for all EB (Exit Back) PCB terminal blocks.
- Bracket snaps securely on block (no hardware required).
- Minimum strip length (end positions are usable).
- Mount with #6-32 or #8-32 screws (not supplied).

Mounting Plates



Options MP, MP8, MT & MT8

- MP** Metal inserts with 0.150" dia. hole accept #6 screw.
- MP8** Metal inserts with 0.187" dia. hole accept #8-32 screw.
- MT** Metal inserts with tapped hole accept #6-32 screw.
- MT8** Metal inserts with tapped hole accept #8-32 screw.

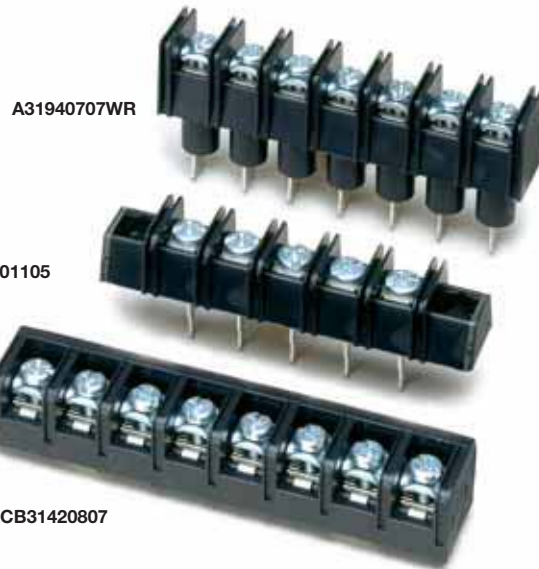
Series A3000, LP3000 & CB3000 Single Row Terminal Blocks

SPECIFICATIONS

Rating: A3: 30A, 600V* #12-22 AWG
 LP3: 30A, 150V #12-22 AWG
 CB3: 30A, 600V #12-22 AWG

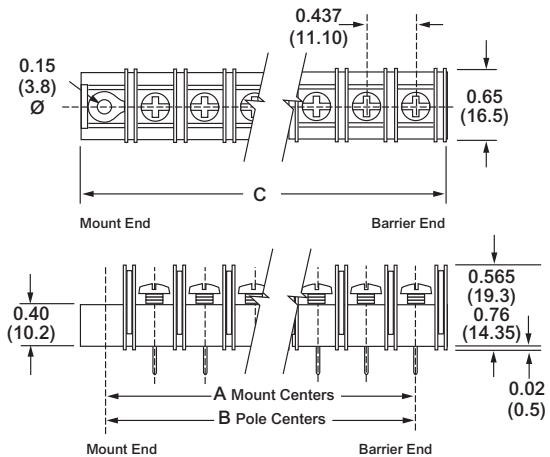
Wire Range: #12-22 AWG CU
Center Spacing: 0.437" or 7/16" (11.10mm)
Screw Size: #6-32 zinc-plated phillot screws.
Torque Rating: 9 lb-in.
Base: Standoffs standard for easy flux washing.
Distance Between Barriers: 0.32" (8.1mm)
Recommended PCB Hole Diameter: 0.076" (1.93mm)
Operating Temperature: 105°C (221°F) max., -40°C (-40°F) min.
Molded Material: Black, UL Rated 94V0 Thermoplastic
Breakdown Voltage: 3500V (A3 & LP3); 8200V (CB3)
Agency Information: UL File E62622, CSA 47235;
 IEC Compliance, CE Certified

*30A Rating achieved with a #10 copper wire crimped to a ring terminal;
 20 Rating without ring terminal.

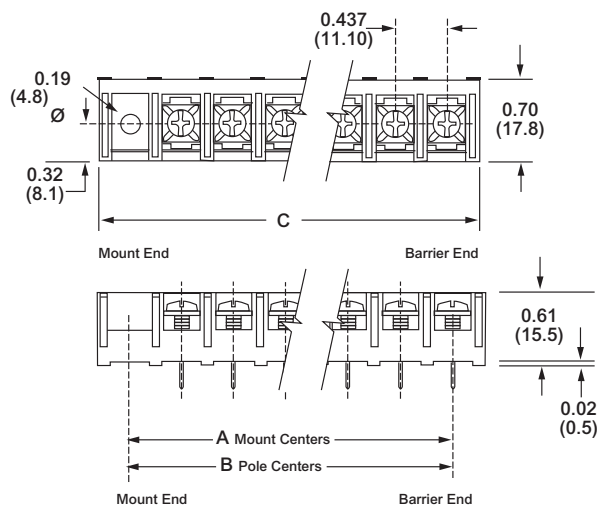


Dimensions - in (mm)

A3000 & LP3000 Series



CB3000 Series



| Poles | MOUNTING ENDS ONLY | | BARRIER & MOUNTING ENDS B Pole Ctrs. | BARRIER ENDS ONLY C Length |
|-------|--------------------|-------------|--|----------------------------------|
| | A Mount Ctrs. | C Length | | |
| 02 | 1.31 | 1.73 | 0.43 | 0.98 |
| 03 | 1.75 | 2.17 | 0.87 | 1.43 |
| 04 | 2.18 | 2.61 | 1.31 | 1.87 |
| 05 | 2.62 | 3.05 | 1.75 | 2.31 |
| 06 | 3.06 | 3.48 | 2.18 | 2.75 |
| 07 | 3.50 | 3.92 | 2.62 | 3.18 |
| 08 | 3.93 | 4.36 | 3.06 | 3.62 |
| 09 | 4.37 | 4.80 | 3.50 | 4.06 |
| 10 | 4.81 | 5.23 | 3.93 | 4.50 |
| 11 | 5.25 | 5.67 | 4.37 | 4.93 |
| 12 | 5.68 | 6.11 | 4.81 | 5.37 |
| 13 | 6.12 | 6.55 | 5.25 | 5.81 |
| 14 | 6.56 | 6.98 | 5.68 | 6.25 |
| 15 | 7.00 | 7.42 | 6.12 | 6.68 |
| 16 | 7.43 | 7.86 | 6.56 | 7.12 |
| 17 | 7.87 | 8.30 | 7.00 | 7.56 |
| 18 | 8.31 | 8.73 | 7.43 | 8.00 |
| 19 | 8.75 | 9.17 | 7.87 | 8.43 |
| 20 | 9.18 | 9.60 | 8.31 | 8.87 |
| 21 | 9.62 | 10.05 | 8.50 | 9.31 |
| 22 | 10.06 | 10.48 | 9.18 | 9.75 |
| 23 | 10.50 | 10.92 | 9.62 | 10.18 |
| 24 | 10.93 | 11.36 | 10.06 | 10.62 |
| 25 | 11.37 | 11.80 | 10.50 | 11.06 |
| 26 | 11.81 | 12.23 | 10.93 | 11.50 |
| 27 | - | - | 11.37 | 11.93 |
| 28 | - | - | 11.81 | 12.37 |

Dimensions in inches. To convert to millimeters, multiply by 25.4.

Terminal Blocks: Single & Double Row
 EuroMag Series
 Terminal Blocks: Base & Rail Mount
 Power Distribution Blocks
 Wire Management Products
 Edge Connectors, One-Sided Boards
 Compliance References

Series A3000 & LP3000 Single Row Terminal Blocks

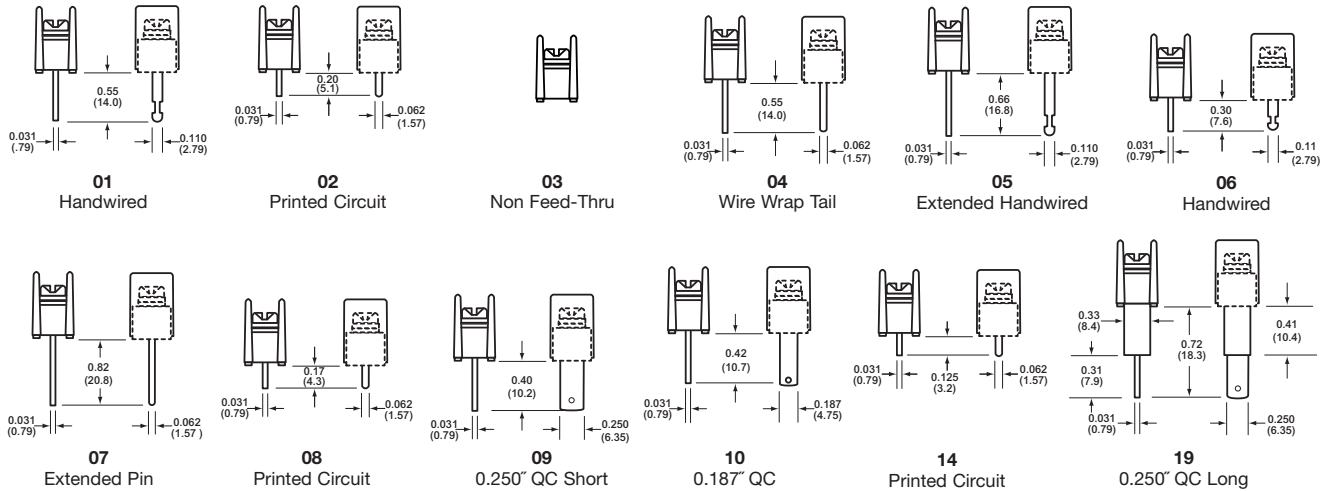
Part Numbering System

| Series | Terminal Style | Base/End (Views pg. 15) | Poles | Screw Options | Options |
|--|---|---|--|---|---|
| A3 LP3 | | | | | |
| A3 - standard barrier LP3 - low profile barrier | 01 - handwired 02 - printed circuit 03 - non feed-thru 04 - wire wrap tail 05 - extended handwired 06 - handwired 07 - extended pin 08 - printed circuit 09 - 0.250 QC short 10 - 0.187 QC 14 - printed circuit 19 - 0.250 QC long | 1 - flat base/mnt. end 2 - flat base/barrier end 3 - insulator base/mnt. end 4 - insulator base/barrier end *5 - closed base/mount end | 02 to 28 02 to 26 on mount end base | Blank - std. screw 00 - screws shipped bulk 03 - stainless steel 04 - brass nickel-plated 07 - steel SEMS zinc-plated (not available with hardware options) 09 - brass SEMS nickel-plated (not available with hardware options) 07WR - steel SEMS wire ready (A3 only) CA - captive screw | AB - angle mnt. options (pg 15) A1 to A9 - 0.250" QC B1 to B9 - 0.187" QC DR - drilled right angle (pg 15) †J201 - flat slip-on jumper L1 to L6 marking options (pg 22) MP, MP8 & MT mounting plates (pg 15) †OJ3, OJ5 & OJ7 - over barrier jumpers RC - retaining clips (pg 15) R30 to R77 - right angle bends (pg 15) SO - stand off insulators (pg 15) S1 - solder lug/flat |
| | | *Base/End Note: 5 Style only available with 03 terminals. | | | †Contact factory for configuration. |

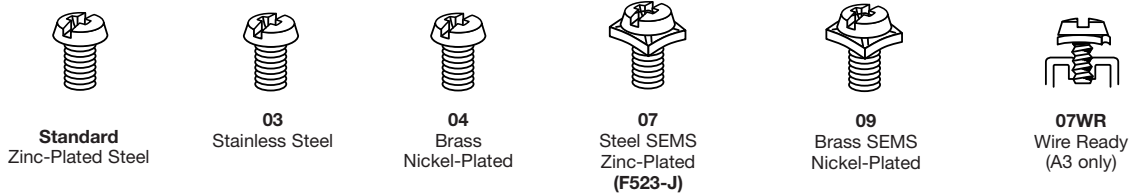
ready (A3 only)

Terminal Styles

Inches (Millimeters)



Screw Options

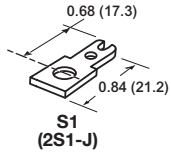


Series A3000 & LP3000
Single Row Terminal Blocks *Continued*

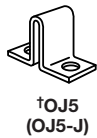
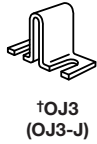
Hardware Options (Bulk ordering part numbers are in parentheses.)

Inches (Millimeters)

Solder Lugs

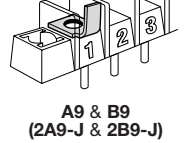
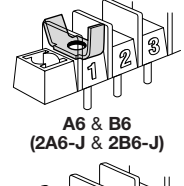
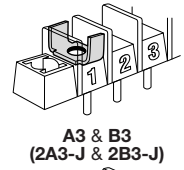
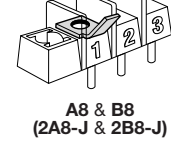
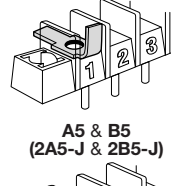
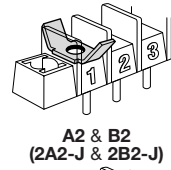
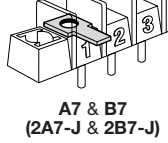
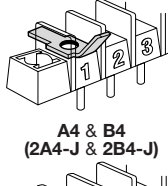
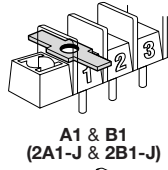


Jumpers



Quick Connects

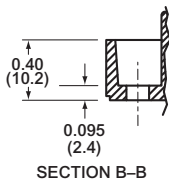
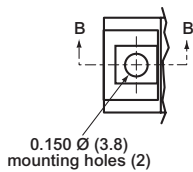
Blade Width A = 0.250" Blade Width B = 0.187"



†Contact factory for pole configuration.

Base/End Options

Inches (Millimeters)



1, 3 & 5 Mount End

Series A3000 & LP3000

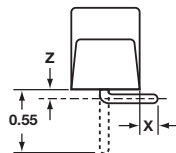
Single Row Terminal Blocks *Continued*

Mounting Options Inches (Millimeters)

Right Angle Bends (A3, LP3 only)

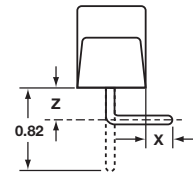
Right angle terminals are offered on the A3000 & LP3000 Series. Configurations are defined in these dimensions: X = pin extension beyond the block base; Z = length from block base to centerline of the terminal tip. Standard bends consist of the X and Z dimensions shown in the chart. Specify by adding the selected Bend Option Code to the terminal part number.

04 Terminal Bend Configurations



| Bend Option Code | X (minimum) | Z | Available w/insulator base |
|------------------|-------------|------|----------------------------|
| R30 | 0.04 | 0.28 | No |
| R35 | 0.01 | 0.23 | No |
| R36 | 0.02 | 0.22 | No |
| R39 | 0.05 | 0.19 | No |
| R42 | 0.08 | 0.16 | No |
| R46 | 0.12 | 0.12 | No |
| R48 | 0.14 | 0.10 | No |
| R50 | 0.16 | 0.08 | No |

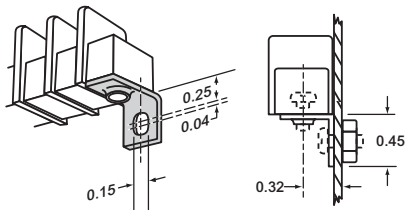
07 Terminal Bend Configurations



| Bend Option Code | X (minimum) | Z | Available w/insulator base |
|------------------|-------------|------|----------------------------|
| R30 | 0.04 | 0.55 | Yes |
| R35 | 0.01 | 0.50 | Yes |
| R36 | 0.02 | 0.49 | Yes |
| R50 | 0.16 | 0.35 | No |
| R53 | 0.19 | 0.32 | No |
| R66 | 0.32 | 0.19 | No |
| R69 | 0.35 | 0.16 | No |
| R75 | 0.41 | 0.10 | No |
| R77 | 0.43 | 0.08 | No |

Dimensions in inches. To convert to millimeters, multiply by 25.4.

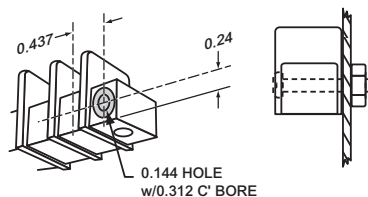
Angle Brackets (A3, LP3 only)



Option AB

Angle brackets enable block to be fastened at right angles to normal mount position. Bulk part number **2AB-J**.

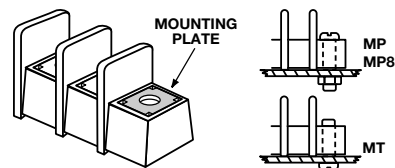
Drilled Right Angle (A3, LP3 only)



Option DR

Counterbored holes across mount ends of block enable fastening with two screws at right angles to normal mount position.

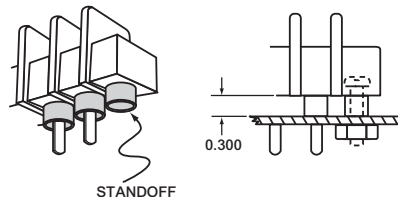
Mounting Plates



Options MP, MP8 & MT

MP Metal inserts with 0.150" dia. hole accept #6 screw. **MP8** Metal inserts with 0.187" dia. hole accept #8-32 screw. **MT** Metal inserts with tapped hole accept #6-32 screw.

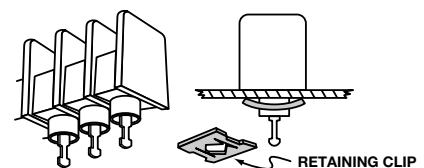
Standoffs



Option SO

Standoff mounts are tubes molded to the mounting positions. Available with insulator bases only.

Retaining Clip



Option RC

Use on standoff tubes. Fit panels up to 0.125" thick. Two clips for every five positions. Supplied unassembled. Bulk part number **H541-J**.

Series CB3000

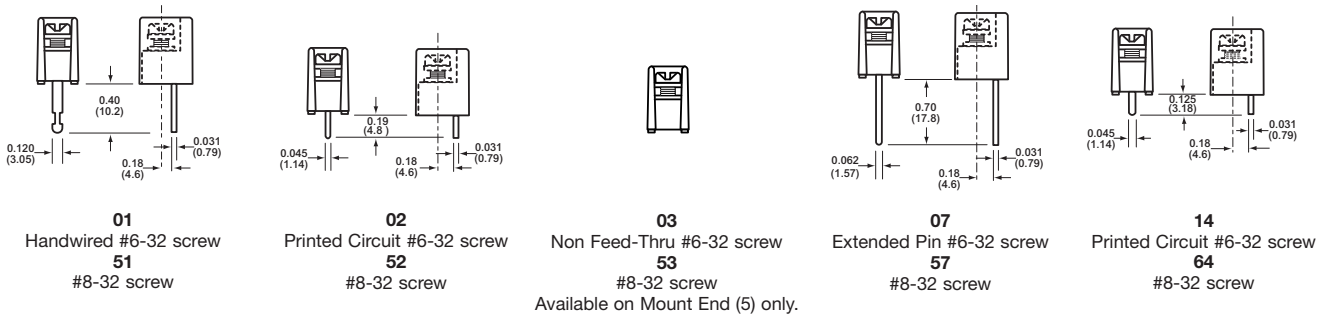
Single Row Terminal Blocks

Part Numbering System

| Series | Terminal Style | Base/End | Poles | Screws | Options |
|--------------------------|---|--|---|---|---|
| CB3 | | | | | |
| CB3 - closed back | 01 - handwired #6-32 screw 02 - printed circuit #6-32 screw 03 - non feed-thru #6-32 screw 07 - extended pin #6-32 screw 14 - printed circuit #6-32 screw 51 - handwired #8-32* 52 - printed circuit #8-32* 53 - non feed-thru #8-32* 57 - extended pin #8-32* 64 - printed circuit #8-32* | 1 - mount end 2 - barrier end 5 - closed base/ mount end | 02 to 28 02 to 26 on mount end base | 07 - steel SEMS (standard) 09 - brass SEMS nickel-plated CA - SEMS captive | AB - angle mounting brackets (pg 17) A7 to A9 - 0.250" QC B7 to B9 - 0.187" QC EB - exit back terminals L1 to L6 marking options (pg 22) LT1 to LT6 marking options (pg 22) † OJ3 & OJ7 - over barrier jumpers MP, MP8, MT & MT8 mtg. plates (pg 17) S1 - solder lug/flat Covers - (pg 23) |
| | *Note: #8-32 screw is a special with #6-32 head. | Base/End Note: 5 Style only available with 03 terminals. | | | †Contact factory for configuration. |

Terminal Styles

Inches (Millimeters)



Screw Options



07
Steel SEMS
Zinc-Plated
(standard)

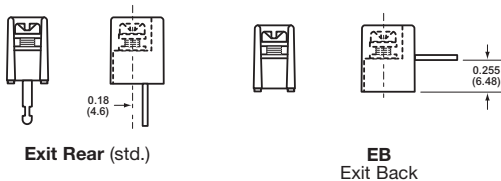


09
Brass SEMS
Nickel-Plated

* NOTE: Wire ready screws standard on all terminal styles.

CB3 Terminal Exit Options

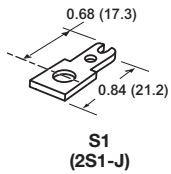
Inches (Millimeters)



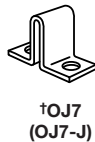
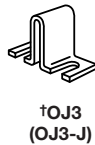
Series CB3000 Single Row Terminal Blocks *Continued*

Hardware Options (Bulk ordering part numbers are in parentheses.) Inches (Millimeters)

Solder Lugs

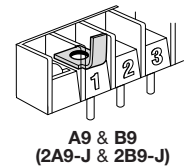
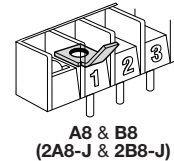
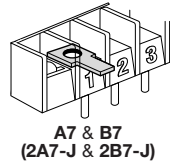


Jumpers



Quick Connects

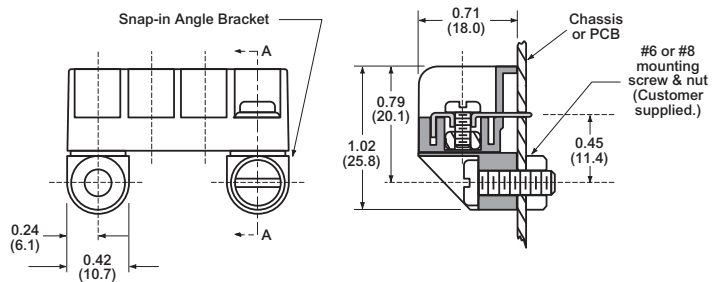
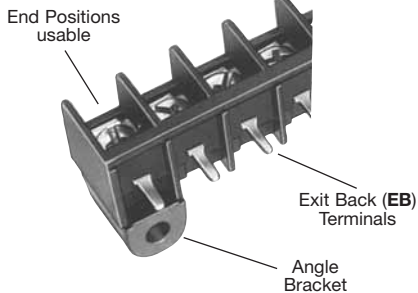
Blade Width A = 0.250". Blade Width B = 0.187".



†Contact factory for pole configuration.

Mounting Options Inches (Millimeters)

Right Angle Mounting Bracket

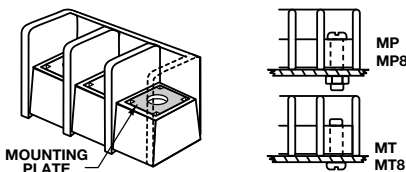


Option AB

Mounts blocks on PC boards at a right angle.

- Protects solder joints.
- Recommended for all EB (Exit Back) PCB terminal blocks.
- Bracket snaps securely on block (no hardware required).
- Minimum strip length (end positions are usable).
- Mount with #6-32 or #8-32 screws (not supplied).

Mounting Plates



Options MP, MP8, MT & MT8

- MP** Metal inserts with 0.150" dia. hole accept #6 screw.
- MP8** Metal inserts with 0.187" dia. hole accept #8-32 screw.
- MT** Metal inserts with tapped hole accept #6-32 screw.
- MT8** Metal inserts with tapped hole accept #8-32 screw.

Series A38 / B38

Single Row Terminal Blocks

SPECIFICATIONS

Rating: A38: 30A, 600V
B38: 50A, 300V

Center Spacing: 0.437" (11.10mm)

Wire Range: A38: #10-22 AWG CU; B38: #8-16 AWG

Screw Size: #8-32 zinc-plated steel

Torque Rating: A38: 9 lb-in; B38: 15 lb-in for #8, 9 lb-in for #6

Base: A38 Only: Standoffs standard for easy flux washing

Distance Between Barriers: 0.378" (9.60mm)

Recommended PCB Hole Diameter (A38): 0.076" (1.93mm)

Operating Temperature: 221°F (105°C)

Molded Material: Black, UL Rated 94V0 Thermoplastic

Breakdown Voltage: 5000V

Agency Information: UL File E62622, CSA File 47235; CE Certified



A382208



B384904

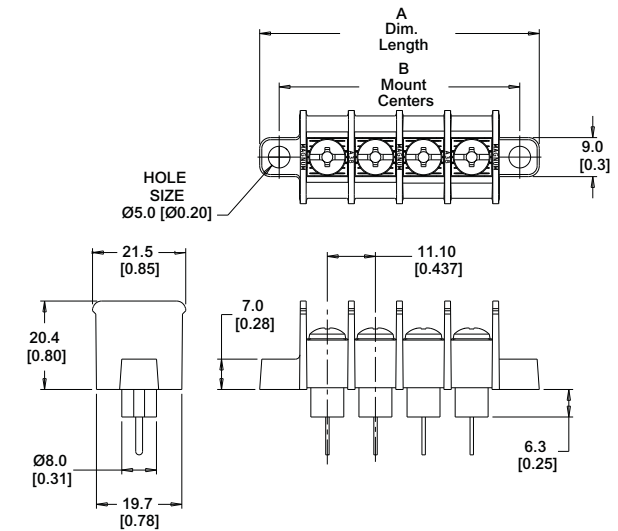
TABLE A

| Poles | MOUNTING ENDS ONLY | | BARRIER ENDS ONLY |
|-------|--------------------|-----------------|-------------------|
| | B Mount Ctrs. | "A" Dim. Length | "A" Dim. Length |
| 02 | 1.31 | 1.67 | 0.93 |
| 03 | 1.75 | 2.10 | 1.37 |
| 04 | 2.19 | 2.54 | 1.81 |
| 05 | 2.62 | 2.98 | 2.25 |
| 06 | 3.06 | 3.41 | 2.68 |
| 07 | 3.50 | 3.85 | 3.12 |
| 08 | 3.93 | 4.29 | 3.56 |
| 09 | 4.37 | 4.72 | 3.99 |
| 10 | 4.81 | 5.16 | 4.43 |
| 11 | 5.24 | 5.60 | 4.87 |
| 12 | 5.68 | 6.04 | 5.30 |
| 13 | 6.12 | 6.47 | 5.74 |
| 14 | 6.56 | 6.91 | 6.18 |
| 15 | 6.99 | 7.35 | 6.61 |
| 16 | 7.43 | 7.78 | 7.05 |

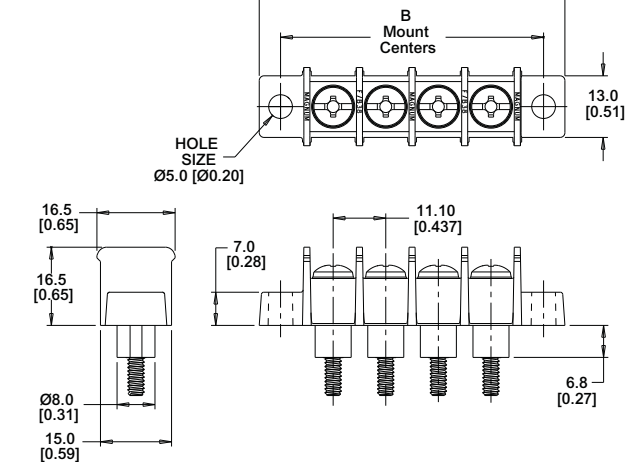
* Dimensions in inches. To convert to millimeters, multiply by 25.4.

Dimensions - in (mm)

Series A38



Series B38



Terminal Blocks: Single & Double Row
EuroMag Series
Terminal Blocks: Base & Rail Mount
Power Distribution Blocks
Wire Management Products
Edge Connectors, One-Sided Boards
Compliance References

Part Numbering System

| Series | Terminal Style | Base/End | # of Poles | Screw Options | Options |
|------------|--|--|-----------------|--|---|
| A3B | | | | | |
| | 0 - 0.187" QC 1 - hand wired 2 - printed circuit 7 - extended wire wrap 9 - 0.250" QC | 1 - flat base, mount end 2 - flat base, barrier end 3 - insulator base* mount end 4 - insulator base* barrier end | 02 to 16 | Blank - standard screw (steel zinc-plated, philslot BHMS) 04 - brass, nickel-plated, philslot BHMS 07 - steel, SEMS zinc-plated philslot screw 92 - steel, zinc-plated slotted BHMS 94 - brass, nickel-plated slotted BHMS (Binding Hard Machine Screw) | L1 to L6 marking options (pg 22) RC - retaining clips (pg 15) Covers - (pg 23) |
| B3B | | | | | |
| | 1 - long turret 2 - short turret 3 - screw terminal #6-32 screw top & bottom 4 - stud (#8-32 screw top, #6-32 stud bottom) † 5 - double stud (#6-32 stud top & bottom) †C360 Copper alloy (bright tin plate) | 0 - flat base, mount ends 4 - insulator base, barrier ends 9 - insulator base mount ends | 02 to 16 | Blank - standard screw steel zinc-plated philslot BHMS 04 - brass, nickel-plated, philslot BHMS #8-32 * 34 - #6-32 nickel-plated brass philslot BHMS *Note: 34 screws only *available with 3 terminal style. | L1 to L6 marking options (pg 23) RC - retaining clips (pg 16) |

Terminal Blocks:
Single & Double Row

EuroMag Series

Terminal Blocks:
Base & Rail Mount

Power Distribution
Blocks

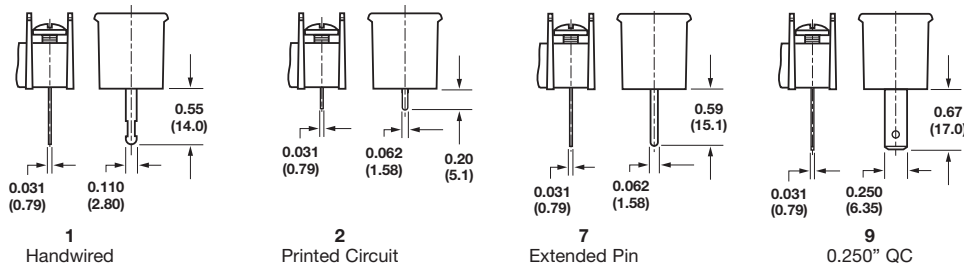
Wire Management
Products

Edge Connectors,
One-Strided Boards

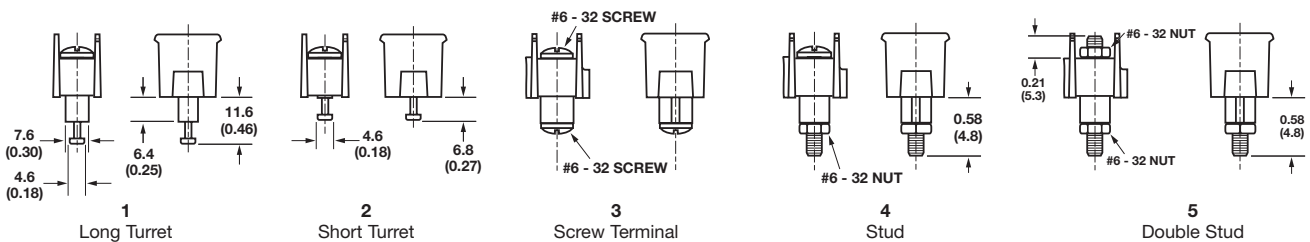
Compliance
References

A38 Terminal Styles Wire ready screws standard

Inches (Millimeters)



B38 Terminal Styles



Screw Options



Series A4000 & Series B4000 Single Row Terminal Blocks

SPECIFICATIONS

Rating: See table.

Center Spacing: 0.562" or 9/16" (14.28mm)

Wire Range: See rating table.

Screw Size: #8-32 or #10-32 zinc-plated slotted screws

Torque Rating: #8 screw size 16 lb-in.; #10 screw size 20 lb-in.

Distance Between Barriers: 0.47" (11.9mm)

Operating Temperature: 105°C (221°F) max., -40°C (-40°F) min.

Molded Material: Black, UL Rated 94V0 Thermoplastic

Hardware: Bottom studs supplied with nuts assembled. Cup washers are optional on bottom studs but are not recommended with ring terminals.

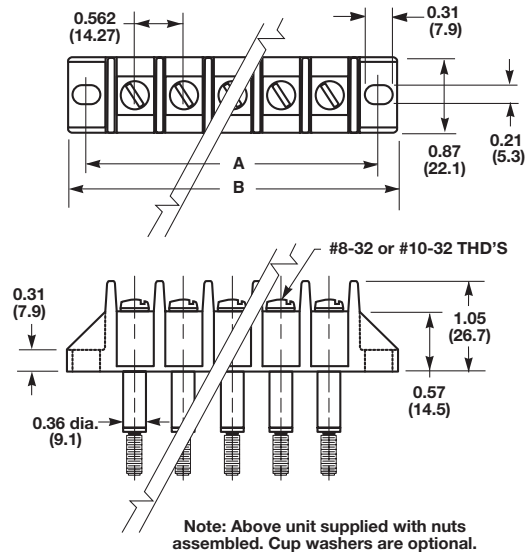
Extended Hex Nuts: Optional extended, slotted hex nuts enable easier installation and removal with hex wrench or screwdriver. Available in bulk for the #10-32 studs on Series A4953 blocks. Specify part number F582 and quantity.

Breakdown Voltage: 6100V

Agency Information: UL File E62622, CSA File 47235; CE Certified



A4000 Series Dimensions - in (mm)



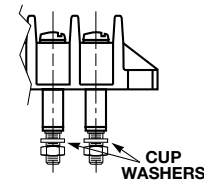
RATING TABLE

| Part Number | Terminal Top | Terminal Bottom | Wire* Range CU | Ratings* Volts/Amps |
|-------------|--------------|-----------------|----------------|---------------------|
| A4003XX | # 8 Screw | #8 Stud | 8-16 AWG | 150V/50A |
| A4011XX | # 8 Screw | Solder | 10-16 AWG | 600V/35A |
| A4013XX | # 8 Screw | Solder | 10-16 AWG | 600V/35A |
| A4021XX | # 8 Screw | 0.250 QC | 10-16 AWG | 600V/35A |
| A4035XX | # 8 Screw | Closed | 8-16 AWG | 600V/50A |
| A4041XX | #10 Screw | Solder | 10-16 AWG | 600V/35A |
| A4043XX | #10 Screw | Solder | 10-16 AWG | 600V/35A |
| A4051XX | #10 Screw | 0.250 QC | 10-16 AWG | 600V/35A |
| A4803XX | #10 Screw | #8 Stud | 8-16 AWG | 150V/50A |
| A4813XX | #10 Screw | SolderTurret | 10-16 AWG | 600V/35A |
| A4843XX | #10 Screw | #8 Screw | 8-16 AWG | 150V/50A |
| A4953XX | #10 Stud | #10 Stud | 8-16 AWG | 150V/50A |
| B4843XX | #10 Screw | #8 Screw | 8-16 AWG | 600V/50A |

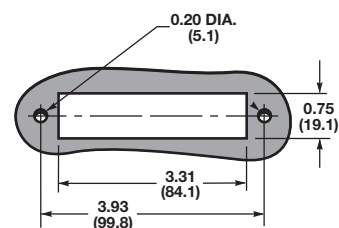
* All models 30A Max. with 10 AWG;
35-50A ratings with 8 AWG using ring or fork type terminals.
Note: 50A rating achieved with #8 copper wire crimped to ring terminal.

Optional Cup Washers Assembled

Available on A4003, A4803, A4843, A4953 & B4843.



Reference Panel Cutout for 6 Position Block



* Dimensions in inches. To convert to millimeters, multiply by 25.4.

Terminal Blocks: Single & Double Row
EuroMag Series
Terminal Blocks: Base & Rail Mount
Power Distribution Blocks
Wire Management Products
Edge Connectors, One-Sided Boards
Compliance References

Part Numbering System

| Series | Terminal Style | Base/End | Poles | Screw Options | Options |
|---|---|---|-----------------|--|---|
| A4 | | | | | |
| B4 | | | | | |
| A4 - standard B4 - barrier (only available in 84 terminal style) | 00 - screw top; stud bottom 01 - screw top; solder bottom 02 - #8 screw top; 0.250" QC bottom 03 - screw top only 04 - #10 screw top; solder term. b. 05 - #10 screw top; 0.250" QC bottom 80 - screw top; stud bottom #10-32 top, #8-32 bottom insulated base 81 - screw top; solder turret bottom #10-32 84 - screw top; screw bottom #10-32 95 - stud top; stud bottom #10-32 | *1 - flat base/mount end 3 - insulator base- (not available in 03 terminal style) /mount end 5 - closed base/mount end (available in 03 terminal only) | 02 to 18 | Blank - std. screw 00 - screws shipped bulk 04 - brass nickel-plated 07 - steel SEMS zinc plated (not available with hardware options; not available on A4003, A4803, A4813, A4843, B4843) | A1 to A9 - 0.250" QC †CW - cup washer (pg 20) J301 - flat slip-on jumper (2 position only) L1 to L6 marking options (pg 22) S1 & S2 - solder lugs/flat |
| | | | | | † Available only on A4003, A4803, A4843, A4953 & B4843. |
| | | | | | *Available in 01, 02, 04 & 05 terminal style only. |

Terminal Blocks:
Single & Double Row

EuroMag Series

Terminal Blocks:
Base & Rail Mount

Power Distribution
Blocks

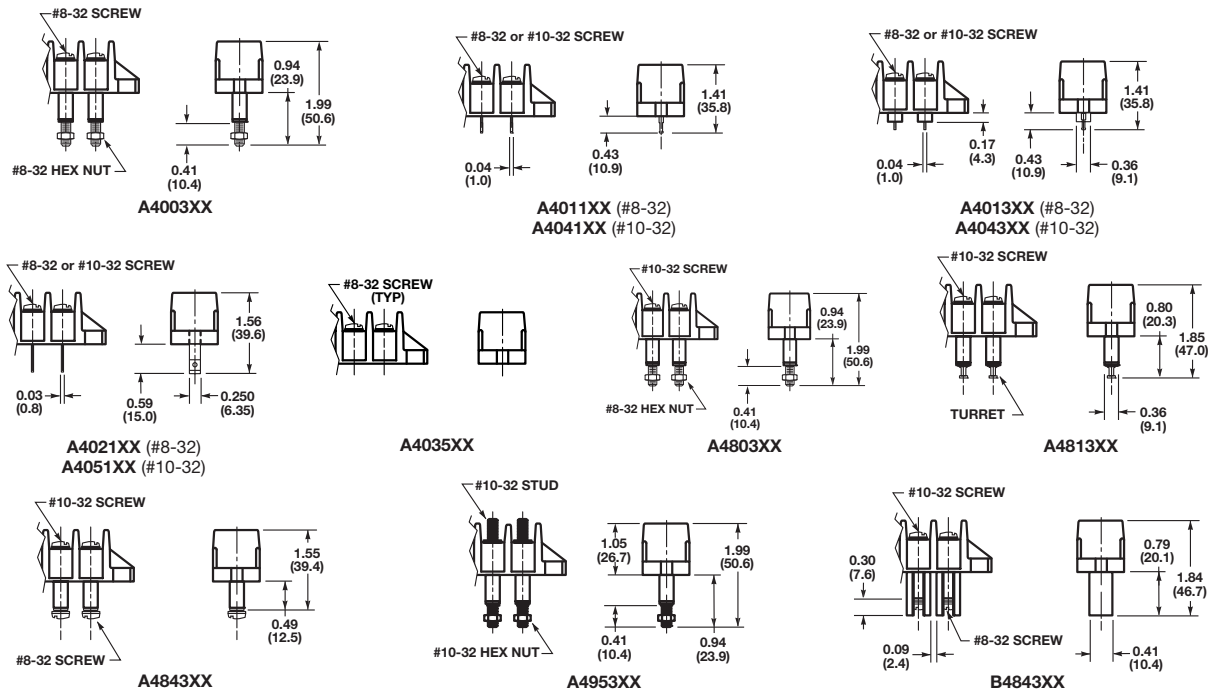
Wire Management
Products

Edge Connectors,
One-Strided Boards

Compliance
References

Terminal Styles

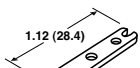
Inches (Millimeters)



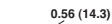
Hardware Options (Bulk ordering part numbers are in parentheses.)

Inches (Millimeters)

Solder Lugs



*S1 (2S1-J)



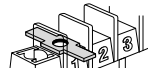
*S2 (2S2-J)

Jumpers

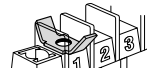


J301 (J301-J)

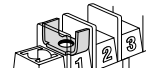
Quick Connects Blade Width A = 0.250". (For other orientations, contact factory.)



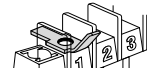
A1 (4A1-J)



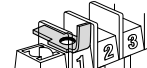
A2 (4A2-J)



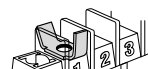
A3 (4A3-J)



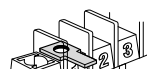
A4 (4A4-J)



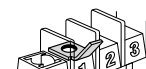
A5 (4A5-J)



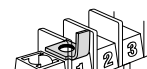
A6 (4A6-J)



A7 (4A7-J)



A8 (4A8-J)



A9 (4A9-J)

*Not available for A4843

All Series Marking Options

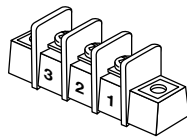
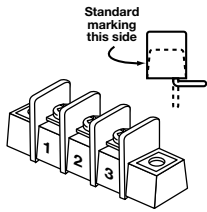
Single Row Terminal Blocks

Marking Options & Accessories

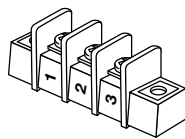
Standard Marking

Markings are applied directly to the sides of Series 1000, 2000, 3000, and 4000. Standard characters are white and 1/8" high. Factory may substitute 3/32" high characters.

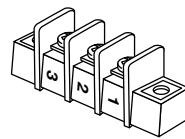
Blocks to be marked on both sides require a different code for each side. Example: "L1" on one side of the block requires "L2" on the other side to ensure common terminal marking. Specify by adding suffix to part number.



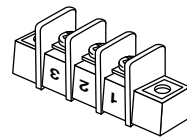
L1
Upright Numerals
Left to Right



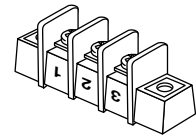
L2
Upright Numerals
Right to Left



L3
Left Lying Numerals
Left to Right



L4
Right Lying Numerals
Right to Left



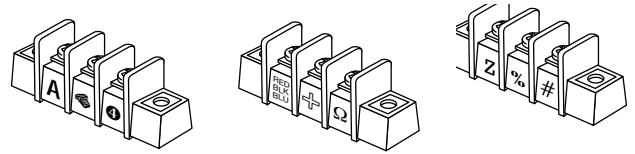
L5
Upside-Down Numerals
Right to Left



L6
Upside-Down Numerals
Left to Right

Special Marking

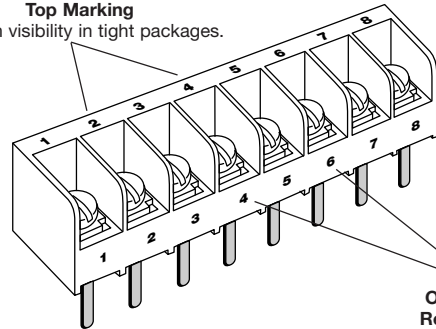
Special markings are available for Series 1000, 2000, 3000, 4000 & 5000 at an additional charge for preparation. Production charges for setup, handling and marking are the same as for standard marking and the same quantity discounts apply. Consult factory for price and delivery.



Closed Barrier Terminal Block Marking Options

- L1 & LT1 = Upright numerals, numbered from left to right
- L2 & LT2 = Upright numerals, numbered from right to left
- L3 = Left lying numerals, numbered from left to right
- L4 = Right lying numerals, numbered from right to left
- L5 & LT5 = Upside down numerals, numbered from right to left
- L6 & LT6 = Upside down numerals, numbered from left to right

Options LT1 - LT6
Top Marking
For high visibility in tight packages.



Options L1 - L6
Regular Marking

Marker Strips

Black marker strips with white numerals mount beneath the terminal blocks to clearly identify terminal and wire positions. Available with forward or reverse markings, top or bottom of strip. If special markings are required, submit a drawing.



Bottom Forward - **BF**

Top Forward - **TF**

Bottom Reverse - **BR**

Top Reverse - **TR**

Series



- MS1** - 1000 Series
- MS2** - 2000 Series
- MS3** - 3000 Series

Base



- 1** - mount end, feed thru
- 2** - barrier end, feed thru
- 3** - mount end, insulator tubes
- 4** - barrier end, insulator tubes
- 5** - mount end, non feed-thru

Poles



02 to 36

Marking



- BF** - bottom forward
- TF** - top forward
- BR** - bottom reverse
- TR** - top reverse

All Series Accessories

Single Row Terminal Blocks *Continued*

Cover Options - Single Row

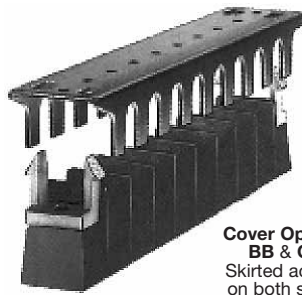
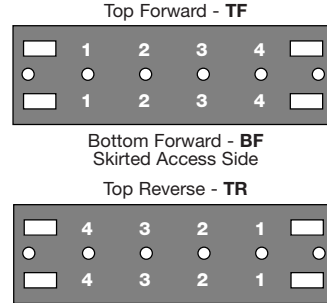
Terminal Block Covers

Available for Series A1000, A2000, A3000, A4000, CB2000, CB3000, LP2000, & LP3000.
 Three styles of UL 94V0 thermoplastic covers are offered in black. Covers are ordered separately and supplied with two clips each, unless ordered without clips. Optional markings may be specified (black on yellow; white on black).

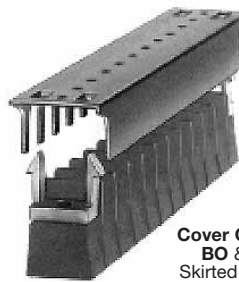
Notes: Covers can not be used with: • mounting plate options MP & MT.
 • certain quick connect terminals.
 • 0, 6, & 9 base/end styles on A2 or A3

Bulk Cover Clips: Series 1000 = **CC1-J**; Series 2000 & 3000 = **CC2-J**;
 Series 4000 = **CC4-J**.

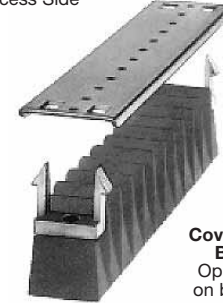
Standard Cover Markings



Cover Options **BB & CB**
Skirted access on both sides.



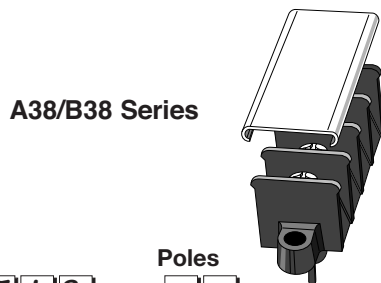
Cover Options **BO & CO**
Skirted access on one side only.



Cover Options **BC & TC**
Open access on both sides.

| Cover | Series | Poles | Markings | Options |
|---|--|-----------------|--|---------------------------|
| | | | | |
| BB - skirted access, both sides, black BO - skirted access, one side, black BC - open access, both sides, black* * Not available in 4000 Series | 1 - 1000 2 - 2000 3 - 3000 4 - 4000 | 02 to 36 | BF - bottom forward TF - top forward BR - bottom reverse TR - top reverse | 00 - without clips |

Snap-On Covers for A38/B38/F38 Series & CB2/CB3 Series



| | Poles | |
|--|-------|-------------------|
| | | A38 Series |
| | | B38 Series |
| | | F38 Series |



| | Poles | |
|--|-------|-------------------|
| | | CB2 Series |
| | | CB3 Series |

Terminal Blocks:
Single & Double Row

EuroMag Series

Terminal Blocks:
Base & Rail Mount

Power Distribution
Blocks

Wire Management
Products

Edge Connectors,
One-Sided Boards

Compliance
References

Terminal Blocks:
Single & Double Row

EuroMag Series

Terminal Blocks:
Base & Rail Mount

Power Distribution
Blocks

Wire Management
Products

Edge Connectors,
One-Sided Boards

Compliance
References

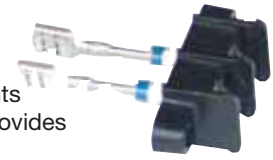
F38 Series Filtered Terminal Blocks

SPECIFICATIONS

- Ratings:** 35A, 240Vac, 300Vdc.
- Center Spacing:** 0.437" or 7/16" (11.10mm)
- Wire Size:** # 10-22 AWG CU
- Screw Size:** # 8-32 (# 6-32 available, consult factory)
- Torque Rating:** 15 lb-in.
- Operating Temperature:** -55°C to +105°C.
- Housing Material:** 94V0 thermoplastic.
- Molded Material:** Black, UL rated 94V0 thermoplastic.
- Terminal Material:** Brass, tin-plated
- Capacitance:** 1000 pF to 5000 pF in either C or Pi Schematic
- Dielectric Withstanding Voltage:** 1000 Vac; 1700Vdc
- DC Resistance:** 0.01 ohms max.
- Agency Information:** UL File E62622, CE Certified

FEATURES

- Rugged integrated construction of filtering elements around a solid brass pin provides excellent EMI/RFI filtering
- Filter element provides high insertion loss for EMI/RFI filtering of AC and DC power and control lines
- 2 to 8 terminals standard – up to 16 poles available
- Cost-effective EMI solution for industrial interconnection filtering
- Termination options are straight lead, male or female quick connect
- Custom and special options available including:
 - Different capacitance values on each position
 - Wire assemblies added to pins



| # of Poles | A Front Mount | A Rear Mount | B | C | D |
|------------|---------------|--------------|------|------|------|
| 2 | 1.67 | 1.88 | 1.31 | 0.93 | 0.44 |
| 3 | 2.10 | 2.32 | 1.75 | 1.37 | 0.88 |
| 4 | 2.54 | 2.76 | 2.19 | 1.81 | 1.31 |
| 5 | 2.98 | 3.19 | 2.63 | 2.25 | 1.75 |
| 6 | 3.41 | 3.63 | 3.06 | 2.68 | 2.19 |
| 7 | 3.85 | 4.07 | 3.50 | 3.12 | 2.62 |
| 8 | 4.29 | 4.51 | 3.94 | 3.56 | 3.06 |

Insertion Loss for 2,500 pF Pi Schematic Typical Insertion Loss (dB) in 50 Ohm Circuit

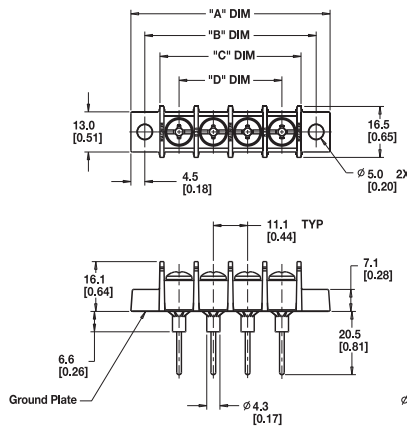
| | | | |
|---------|--------|----------|--------|
| 30MHz | .42 dB | 300 MHz | .68 dB |
| 50 MHz | .45 dB | 1000 MHz | .70 dB |
| 100 MHz | .50 dB | | |

* Note: For other capacitance insertion loss, consult factory.

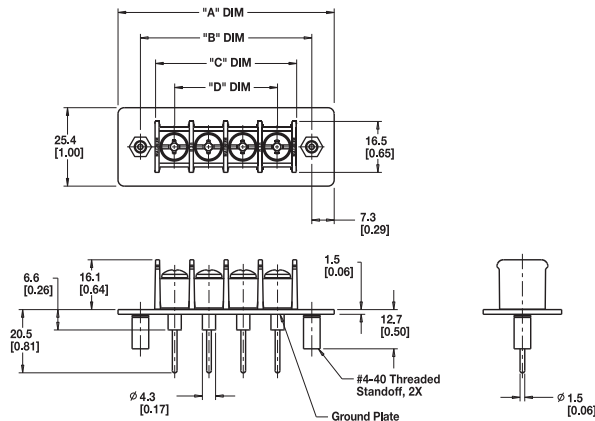
* Note: In inches. Available up to 16 poles. Consult factory.

Dimensions - mm (in)

O - Front Panel Mount



I - Rear Panel Mount



Part Numbering System

Inches (Millimeters)

| Series | Terminal Style | Mounting | # of Poles | Screw Options | Filter Options | Capacitance |
|------------|---|---|---|--|---|---|
| F38 | <ul style="list-style-type: none"> 0 - straight lead 1 - 0.187" quick connect (male) 2 - 0.187" quick connect (male) 3 - 0.250" quick connect (male) 4 - 0.250" quick connect (female) | <ul style="list-style-type: none"> 0 - front panel mount with mount ends 1 - rear panel mount with #4-40 threaded inserts | <ul style="list-style-type: none"> 02 to 08* | <ul style="list-style-type: none"> Blank - #8-32, steel, zinc-plated phlslot BHMS (standard) 04 - #8-32, brass, nickel-plated phlslot BHMS 92 - #8-32, steel, zinc-plated slotted BHMS 94 - #8-32, brass, nickel-plated slotted BHMS | <ul style="list-style-type: none"> C - C Filter P - Pi Filter | <ul style="list-style-type: none"> 1.0 - 1000 pF + 100%-0% 2.5 - 2500 pF + 100%-0% 5.0 - 5000 pF + 100%-0% |

* Note: Standard is 02-08 poles. Available up to 16 poles. Consult factory for availability. Special electrical/mechanical configurations are available upon request from factory.

Series TB100

Double Row Terminal Blocks

SPECIFICATIONS

- Rating:** 30A, 300V*
- Center Spacing:** 0.375" or 3/8" (9.52mm)
- Wire Range:** #14 - 22 AWG CU
- Screw Size:** #6-32 phillslot screws
- Torque Rating:** 9 lb-in.
- Distance Between Barriers:** 0.30" (7.62mm)
- Mounting:** #6 screws
- Operating Temperature:** 130°C (266°F) max., -40°C (-40°F) min.
- Materials:** Molded base: Black, UL rated 94V0 thermoplastic
Terminal plating: Tin over brass; Screws: Zinc-plated steel
- Breakdown Voltage:** 3600V
- Agency Information:** UL File E62622/CSA File 47235; IEC Compliance; CE Certified

* Max. rating shown; some options may be rated lower - consult factory.

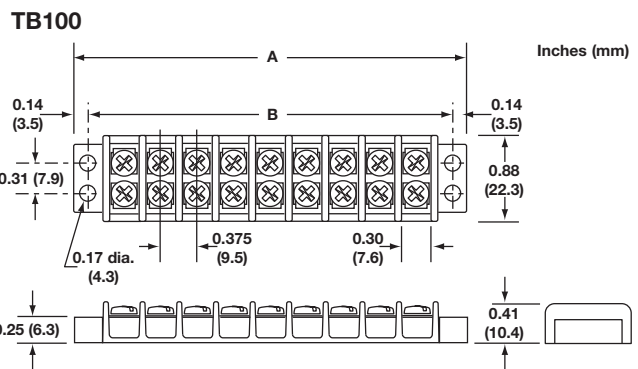


TB100-08



TB100-04SP

Dimensions - in (mm)



| Poles | A | B | Poles | A | B | Poles | A | B |
|-------|------|------|-------|-------|------|-------|-------|-------|
| 02 | 1.40 | 1.12 | 14 | 5.90 | 5.62 | 26 | 10.40 | 10.12 |
| 03 | 1.78 | 1.50 | 15 | 6.28 | 6.00 | 27 | 10.78 | 10.50 |
| 04 | 2.16 | 1.88 | 16 | 6.66 | 6.38 | 28 | 11.16 | 10.88 |
| 05 | 2.53 | 2.25 | 17 | 7.03 | 6.75 | 29 | 11.53 | 11.25 |
| 06 | 2.90 | 2.62 | 18 | 7.40 | 7.12 | 30 | 11.90 | 11.62 |
| 07 | 3.28 | 3.00 | 19 | 7.78 | 7.50 | 31 | 12.28 | 12.00 |
| 08 | 3.66 | 3.38 | 20 | 8.16 | 7.88 | 32 | 12.66 | 12.38 |
| 09 | 4.03 | 3.75 | 21 | 8.53 | 8.25 | 33 | 13.03 | 12.75 |
| 10 | 4.40 | 4.12 | 22 | 8.90 | 8.62 | 34 | 13.40 | 13.12 |
| 11 | 4.78 | 4.50 | 23 | 9.28 | 9.00 | 35 | 13.78 | 13.50 |
| 12 | 5.16 | 4.88 | 24 | 9.66 | 9.38 | 36 | 14.16 | 13.88 |
| 13 | 5.53 | 5.25 | 25 | 10.03 | 9.75 | | | |

* Dimensions in inches. To convert to millimeters, multiply by 25.4.

Part Numbering System

Series



Poles



02 to 36

Screw Options



- Blank** - steel phillslot, zinc-plated
- 00** - screws shipped bulk
- B** - brass phillslot, nickel-plated
- BS** - brass Sems phillslot, nickel-plated
- SP** - steel Sems phillslot, zinc-plated
- P** - steel Sems (P-style)
- ST** - stainless steel, phillslot
- STR** - stainless steel, phillips (recess)

Marking



- L1 to L6** - (pg 32)
- Marker strips (pg 33)
- Covers (pg 32)

Hardware Options



- QC1 to QC20** - quick connects
- †J101** - flat slip-on jumper (2 position only)
- †0J2** - over barrier jumpers
- †0J4** - over barrier jumpers

† Contact factory for pole configuration.

Screw Options



B
Brass Philslot
Nickel-Plated



BS
Brass SEMS
Philslot Nickel-Plated



SP
Steel SEMS
Philslot Zinc-Plated



ST
Stainless Steel
Philslot



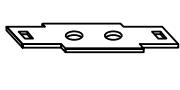
P
Steel SEMS
(P-Style)



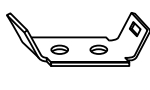
STR
Stainless Steel
Phillips (recess)

Hardware Options (Bulk ordering part numbers are in parentheses.)

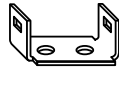
Quick Connects – Assembled Terminal 0.187" x 0.020". Max. current rating 13 Amps. For other orientations, contact factory.



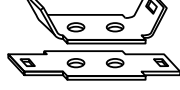
QC1



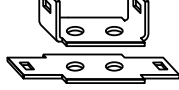
QC2



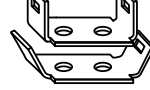
QC3



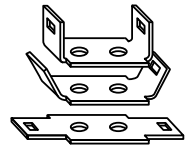
QC4



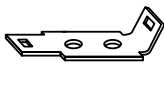
QC5



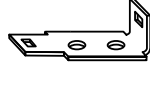
QC6



QC7



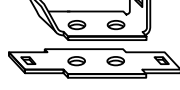
QC8



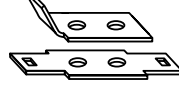
QC9



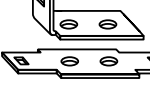
QC10



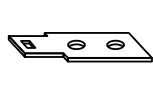
QC11



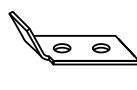
QC12



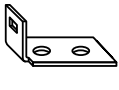
QC13



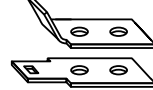
QC14



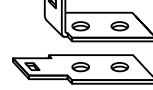
QC15



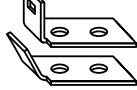
QC16



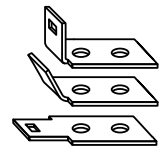
QC17



QC18

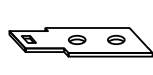


QC19

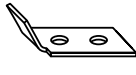


QC20

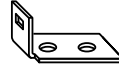
Quick Connects – Bulk Min. order per part no. – 100 pieces.



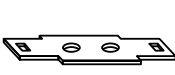
QC101
Flat – none



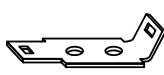
QC102
QC 45° – none



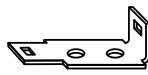
QC103
QC 90° – none



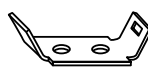
QC104
Flat – Flat



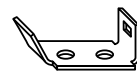
QC105
Flat – QC 45°



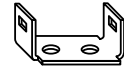
QC106
Flat – QC 90°



QC107
QC 45° – QC 45°



QC108
QC 45° – QC 90°

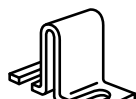


QC109
QC 90° – QC 90°

Jumpers – Bulk Min. order per part no. – 100 pieces. Contact factory for jumper assembly.



†J101
Flat slip-on
(J101-J)



†OJ2
Slip-on over barrier
(OJ2-J)



†OJ4
Closed over barrier
(OJ4-J)

† Contact factory for pole configuration.

Series TB200 & TB200HB Double Row Terminal Blocks

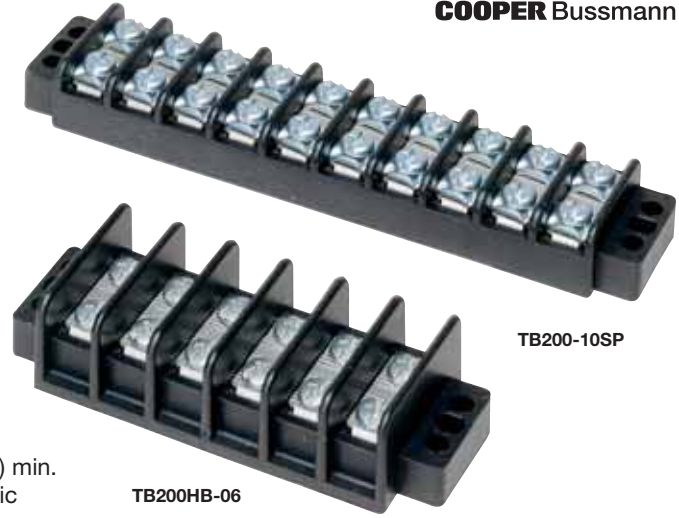
SPECIFICATIONS

- Rating:** TB200 - 30A, 300V*
TB200HB - 30A, 600V*
- Center Spacing:** 0.437" or 7/16" (11.10mm)
- Wire Range:** #12 - 22 AWG CU
- Screw Size:** #6-32 phillslot screws
- Torque Rating:** 9 lb-in.
- Distance Between Barriers:** 0.353" (8.97mm)
- Mounting:** #6 screws
- Operating Temperature:** 130°C (266°F) max., -40°C (-40°F) min.
- Materials:** Molded base: Black, UL rated 94V0 thermoplastic
Terminal plating: Tin over brass; Screws: zinc-plated steel
- Breakdown Voltage:** 4800V
- Agency Information:** UL File E62622, CSA File 47235 & 15364;
IEC Compliance; CE Certified

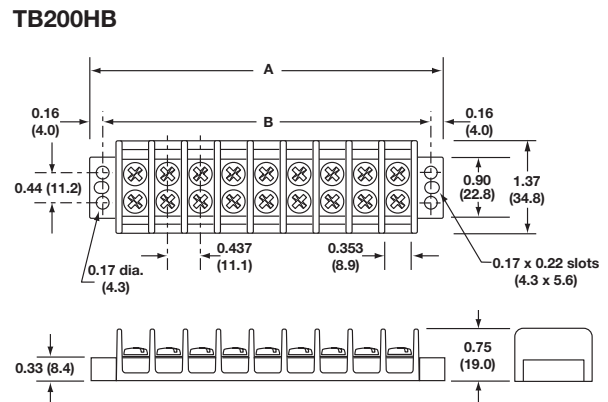
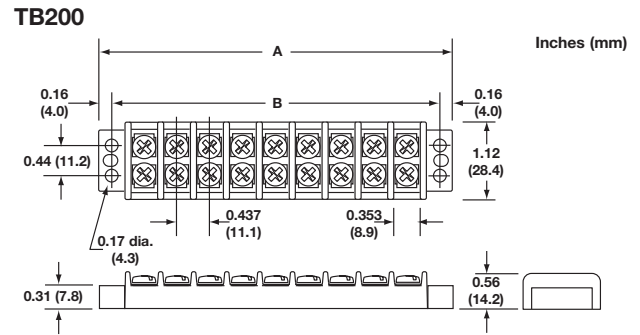
* Max. rating shown; some options may be rated lower - consult factory.

| Poles | A | B | Poles | A | B | Poles | A | B |
|-------|------|------|-------|------|------|-------|-------|-------|
| 02 | 1.63 | 1.31 | 12 | 6.00 | 5.68 | 22 | 10.37 | 10.06 |
| 03 | 2.07 | 1.75 | 13 | 6.44 | 6.12 | 23 | 10.81 | 10.50 |
| 04 | 2.51 | 2.18 | 14 | 6.87 | 6.56 | 24 | 11.25 | 10.93 |
| 05 | 2.94 | 2.62 | 15 | 7.31 | 7.00 | 25 | 11.68 | 11.37 |
| 06 | 3.38 | 3.06 | 16 | 7.75 | 7.43 | 26 | 12.12 | 11.81 |
| 07 | 3.82 | 3.50 | 17 | 8.19 | 7.87 | 27 | 12.56 | 12.25 |
| 08 | 4.25 | 3.93 | 18 | 8.62 | 8.31 | 28 | 13.00 | 12.68 |
| 09 | 4.69 | 4.37 | 19 | 9.06 | 8.75 | 29 | 13.44 | 13.12 |
| 10 | 5.13 | 4.81 | 20 | 9.50 | 9.18 | 30 | 13.87 | 13.56 |
| 11 | 5.57 | 5.25 | 21 | 9.94 | 9.62 | | | |

* Dimensions in inches. To convert to millimeters, multiply by 25.4.



Dimensions - in (mm)



Part Numbering System

Series



200 - Standard
200HB - High barrier

Poles

02 to 30

Screw Options



- Blank - steel phillslot, zinc-plated
- 00 - screws shipped bulk
- B - brass phillslot, nickel-plated
- BS - brass Sems phillslot, nickel-plated
- SP - steel Sems phillslot, zinc-plated
- P - steel Sems (P-style)
- ST - stainless steel, phillslot
- SS - stainless steel Sems, phillslot
- STR - stainless steel, phillips (recess)

Marking



L1 to L6 - (pg 32)
Marker strips (pg 32)
Covers (pg 32)

Hardware Options



QC1 to QC20 - quick connects
†J201 - flat slip-on jumper
(2 position only)
†J03 - over barrier jumpers
†J05 - over barrier jumpers
†J07 - over barrier jumpers

† Contact factory for pole configuration

Screw Options



B
Brass Philslot
Nickel-Plated



BS
Brass SEMS
Philslot Nickel-Plated



SP
Steel SEMS
Philslot Zinc-Plated



P
Steel SEMS
(P-Style)



ST
Stainless Steel
Philslot



SS
Stainless Steel
SEMS Philslot



STR
Stainless Steel
Phillips (recess)

Hardware Options

(Bulk ordering part numbers are in parentheses.)

Quick Connects – Assembled Terminal 0.250" x 0.031". Max. current rating 20 Amps. For other orientations, contact facto-



QC1



QC2



QC3



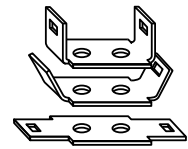
QC4



QC5



QC6



QC7



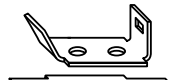
QC8



QC9



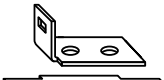
QC10



QC11



QC12



QC13



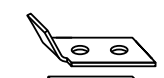
QC14



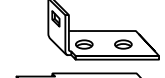
QC15



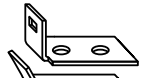
QC16



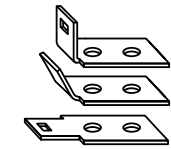
QC17



QC18



QC19



QC20

Quick Connects – Bulk Min. order per part no. – 100 pieces.



QC201
Flat – none



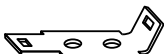
QC202
QC 45° – none



QC203
QC 90° – none



QC204
Flat – Flat



QC205
Flat – QC 45°



QC206
Flat – QC 90°



QC207
QC 45° – QC 45°



QC208
QC 45° – QC 90°



QC209
QC 90° – QC 90°

Jumpers – Bulk Min. order per part no. – 100 pieces. Contact factory for jumper assembly.



†J201
Flat slip-on
(not available on
TB200HB)
(J201-J)



†OJ3
Slip-on over barrier
for TB200HB
(OJ3-J)



†OJ5
Closed over barrier
for TB200HB
(OJ5-J)



†OJ7
Closed over barrier
for TB200
(OJ7-J)

† Contact factory for pole configuration.

Series TB300 & TB345 Double Row Terminal Blocks

SPECIFICATIONS

Rating: TB300 – 30A, 600V*

TB345 – 45A, 600V*

Center Spacing: 0.562" or 9/16" (14.28mm)

Wire Range: #8 - 22 AWG CU

Screw Size: TB300 – #8-32 phillslot screws

TB345 – #10-32 phillslot screws

Torque Rating: #8 screws - 16 lb-in.;

#10 screws - 20 lb-in.

Distance Between Barriers: 0.41" (10.5mm)

Mounting: TB300 – #8 screws; TB345 – #10 screws

Operating Temperature: 130°C (266°F) max., -40°C (-40°F) min.

Material: Molded base: Black, UL rated 94V0 thermoplastic
Terminal plating: Tin over brass; Screws: zinc-plated steel

Breakdown Voltage: 7500V

Agency Information: UL File E62622, CSA File 47235; IEC Compliance; CE Certified

* Max. rating shown; some options may be rated lower - consult factory.

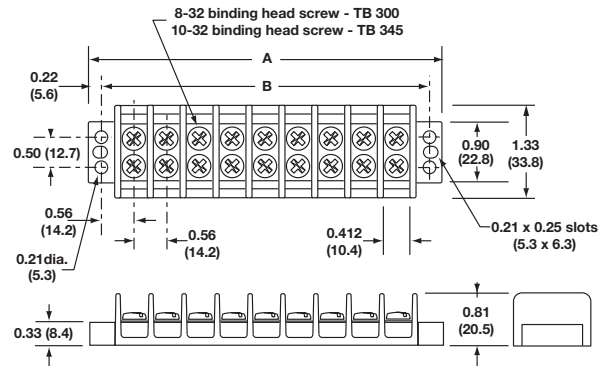


| Poles | A | B | Poles | A | B | Poles | A | B |
|-------|------|------|-------|-------|-------|-------|-------|-------|
| 02 | 2.13 | 1.69 | 10 | 6.62 | 6.19 | 18 | 11.12 | 10.68 |
| 03 | 2.69 | 2.25 | 11 | 7.18 | 6.75 | 19 | 11.68 | 11.25 |
| 04 | 3.25 | 2.81 | 12 | 7.75 | 7.31 | 20 | 12.24 | 11.81 |
| 05 | 3.81 | 3.37 | 13 | 8.31 | 7.87 | 21 | 12.80 | 12.37 |
| 06 | 4.37 | 3.94 | 14 | 8.87 | 8.44 | 22 | 13.37 | 12.93 |
| 07 | 4.94 | 4.50 | 15 | 9.43 | 9.00 | 23 | 13.93 | 13.50 |
| 08 | 5.50 | 5.06 | 16 | 9.99 | 9.56 | 24 | 14.49 | 14.06 |
| 09 | 6.06 | 5.62 | 17 | 10.56 | 10.12 | | | |

* Dimensions in inches. To convert to millimeters, multiply by 25.4.

Dimensions - in (mm)

TB300 & TB345



Part Numbering System

Series



300 - 8-32 screw
345 - 10-32 screw

Poles



02 to 24

Screw Options



Blank - steel phillslot, zinc-plated
00 - screws shipped bulk
B - brass phillslot, nickel-plated
BS - brass Sems phillslot, nickel-plated (TB300 only)
SP - steel Sems phillslot, zinc-plated
P - steel Sems (P-style) (TB300 Series only)
ST - stainless steel, phillslot
STR - stainless steel, phillips (recess)

Marking



L1 to L6 - (pg 32)
Marker strips (pg 33)
Covers (pg 32)

Hardware Options



QC1 to QC20 - quick connects (TB300 only)
†J301 - flat slip-on jumper
†0J6 - over barrier jumper
†0J11 - over barrier jumper

†Contact factory for pole configuration.

Screw Options



B
Brass Philslot
Nickel-Plated



BS
Brass SEMS
Philslot Nickel-Plated



SP
Steel SEMS
Philslot Zinc-Plated



P
Steel SEMS
(P-Style)



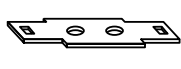
ST
Stainless Steel
Philslot



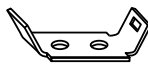
STR
Stainless Steel
Phillips (recess)

Hardware Options

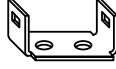
Quick Connects – Assembled **TB300** only. Terminals 0.250" x 0.031". Max. current rating 20 Amps. For other orientations, contact factory.



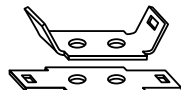
QC1



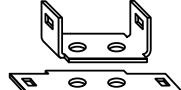
QC2



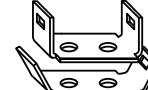
QC3



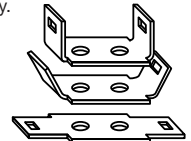
QC4



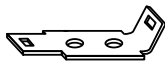
QC5



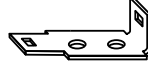
QC6



QC7



QC8



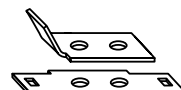
QC9



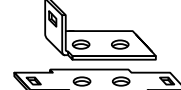
QC10



QC11



QC12



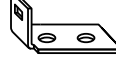
QC13



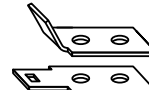
QC14



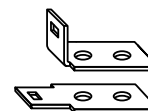
QC15



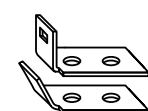
QC16



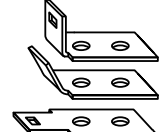
QC17



QC18

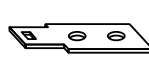


QC19



QC20

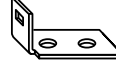
Quick Connects – Bulk ***TB300** only. Min. order per part no. – 100 pieces.



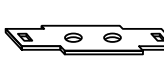
QC201
Flat – none



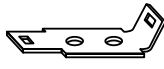
QC202
QC 45° – none



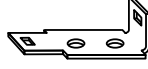
QC203
QC 90° – none



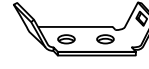
QC204
Flat – Flat



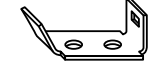
QC205
Flat – QC 45°



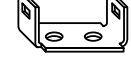
QC206
Flat – QC 90°



QC207
QC 45° – QC 45°



QC208
QC 45° – QC 90°



QC209
QC 90° – QC 90°

Jumpers – Bulk Min. order per part no. – 100 pieces. Contact factory for jumper assembly.



†J301
Flat slip-on
(TB300 only)
(J301-J)



†OJ6
Closed over barrier
(OJ6-J)



†OJ11
Slip-on over barrier
(OJ11-J)

†Contact factory for pole configuration.

Terminal Blocks:
Single & Double Row

EuroMag Series

Terminal Blocks:
Base & Rail Mount

Power Distribution
Blocks

Wire Management
Products

Edge Connectors,
One-Sided Boards

Compliance
References

Series TB400

Double Row Terminal Blocks

SPECIFICATIONS

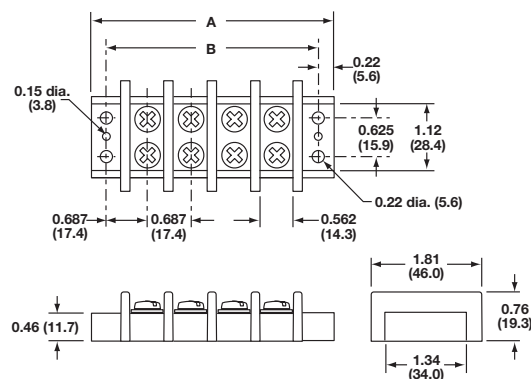
- Rating:** 75A, 600V
- Center Spacing:** 0.687" or 11/16" (17.45mm)
- Wire Range:** #6-14 AWG CU
- Screw Size:** #10-32 philslot screws
- Torque Rating:** 20 lb-in.
- Distance Between Barriers:** 0.56" (14.3mm)
- Mounting:** #10 screws
- Operating Temperature:** 130°C (266°F) max., -40°C (-40°F) min.
- Material:** Molded base: Black, UL rated 94V0 thermoplastic
Terminal plating: Tin over brass; Screws: zinc-plated steel
- Breakdown Voltage:** 7500V
- Agency Information:** UL File E62622, CSA File 47235; IEC Compliance; CE Certified



TB400-05

Dimensions - in (mm)

TB400



| Poles | A | B | Poles | A | B | Poles | A | B |
|-------|------|------|-------|------|------|-------|------|------|
| 02 | 2.51 | 2.06 | 06 | 5.26 | 4.81 | 10 | 8.01 | 7.56 |
| 03 | 3.20 | 2.75 | 07 | 5.95 | 5.50 | 11 | 8.70 | 8.25 |
| 04 | 3.89 | 3.44 | 08 | 6.64 | 6.19 | 12 | 9.39 | 8.94 |
| 05 | 4.58 | 4.13 | 09 | 7.33 | 6.88 | | | |

* Dimensions in inches. To convert to millimeters, multiply by 25.4.

Screw Options



B
Brass Philslot
Nickel-Plated

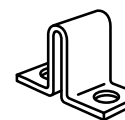


ST
Stainless Steel
Philslot



STR
Stainless Steel
Phillips (recess)

Hardware Options



OJ14
Closed over barrier

Part Numbering System

Series

T B 4 0 0

Poles

— □ □

02 to 12

Screw Options

□ □ □ □

- Blank - steel philslot, zinc-plated
- 00 - screws shipped bulk
- B - brass philslot, nickel-plated
- ST - stainless steel, philslot
- STR - stainless steel, phillips (recess)

Marking

Not available

Hardware Options

†OJ14 - Jumper over barrier

†Contact factory for pole configuration.

All Series Marking Options & Accessories

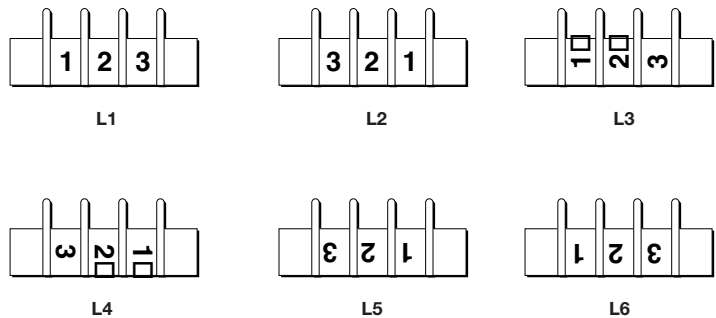
Double Row Terminal Blocks

Marking Options

Standard Marking

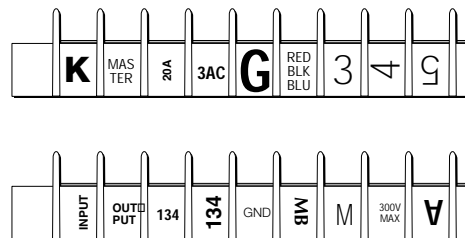
Standard markings are applied directly to the side(s) of a block. Standard color is white. Standard height is 0.125".

Note: Blocks marked on both sides require a different code for each side. Example Style L1 on one side of the block requires Style L2 on the other side to ensure common terminal marking. To order, add appropriate suffix (L1, L2, L3, L4, L5 and/or L6) to block part number in the proper sequence.



Special Marking

Special markings are available at an additional charge for preparation. Production charges for setup, handling and marking are the same as for standard marking. Drawing(s) must be submitted to ensure accuracy of part required. Consult factory for price and delivery.



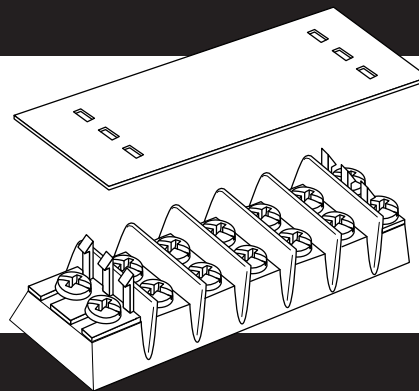
Note: Marking is not available on TB400 Series

Covers

Covers prevent personnel, screws and foreign items from contacting live terminals. Available in white or clear plastic. Two cover clips supplied with each cover. Cover width is 1.31 inches.

All covers must be ordered separately. Consult factory for special legends.

Example: 10 position cover, white, TB100 Series, no legends . . . Part number is X12010.



Part Numbering System

Series



Cover Strip



120 - TB100/white
119 - TB100/clear
220 - TB200/TB200HB - white
219 - TB200/TB200HB - clear
320 - TB300 & TB345 - white
319 - TB300 & TB345 - clear

Poles



02 to 36 (TB100)
02 to 30 (TB200/TB200HB)
02 to 24 (TB300/TB345)

High Barrier Option Only



HB = High Barrier

Example: 10 position cover, white, TB100 Series, no legends . . . Part number is X12010.

Cover Clips – Bulk

Part Number
DD1-J – TB100 Series
DD2-J – TB200 Series
DD2HB-J – TB200HB Series
DD3-J – TB300 Series

Note: Covers are not available on TB400 Series.

Top & Bottom Marking Strips

Double Row Terminal Blocks

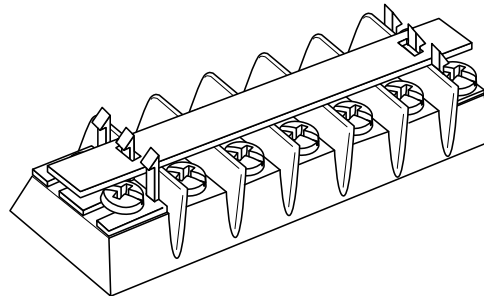
Top Marker Strips

Top mounting marker strips are available in white (opaque) plastic. Two cover clips are supplied with each marker strip.

All top marker strips must be ordered separately. Consult factory for special legends.

Example: 12 position cover, TB200, 0.032" x 0.312", with no legends . . . Part No. is X20312.

Example: 12 position cover, TB200HB, 0.060" x 0.500", with no legends . . . Part No. is X23312HB.



Part Numbering System

Series



Top Marker Strip



- 133** - TB100 (0.060 thk x 0.500w)
- 103** - TB100 (0.032 thk x 0.312w)
- 233** - TB200/TB200HB (0.060 thk x 0.500w)
- 203** - TB200/TB200HB (0.032 thk x 0.312w)
- 333** - TB300 & TB345 (0.060 thk x 0.500w)
- 303** - TB300 & TB345 (0.032 thk x 0.380w)

Poles



- 02 to 36** (TB100)
- 02 to 30** (TB200/TB200HB)
- 02 to 24** (TB300/TB345)

Note: Marking Strips are not available on TB400 Series.

High Barrier Option Only



HB = High Barrier

Example: 12 position cover, TB200HB, 0.060" x 0.500", with no legends . . . Part No. is X23312HB.

Bottom Marker Strips

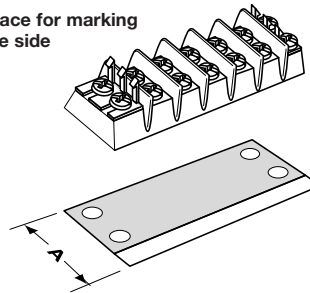
Bottom mounting marker strips are made of black PVC, 0.030" thick. Space is available to handle most marking situations. All marker strips must be ordered separately.

To order, specify part number, required legends and (BF) bottom forward, (BR) bottom reverse, (TF) top forward, or (TR) top reverse. Consult factory for specials.

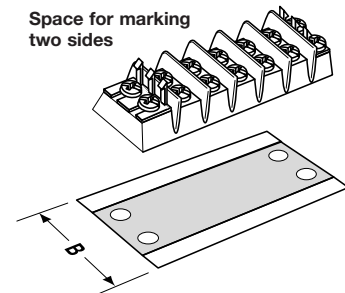
Example: 13 position strip, TB100 with no legends, space for marking one side . . . Part number is X10513.

Position for legends (one side, two sides) can be specified standard. Standard legend height is 0.125". Standard legends are 0-99 and A-Z. Special legends are available on special order. Drawing(s) must be submitted to ensure accuracy of part required.

Space for marking one side



Space for marking two sides



| | TB100 | TB200 | TB200HB | TB300 | TB345 | TB400 |
|---------------|-------|-------|---------|-------|-------|-------|
| Dim. A | 1.13" | 1.37" | 1.62" | 1.58" | 1.58" | N/A |
| Dim. B | 1.38" | 1.62" | 1.81" | 1.81" | 1.81" | N/A |

Part Numbering System

Series



Bottom Marker Strip



- 105** - TB100 - marking one side
- 101** - TB100 - marking both sides
- 205** - TB200 - marking one side
- 201** - TB200 - marking both sides
- 295** - TB200HB - marking one side
- 291** - TB200HB - marking both sides
- 305** - TB300 & TB345 - marking one side
- 301** - TB300 & TB345 - marking both sides

Poles



- 02 to 36** (TB100)
- 02 to 30** (TB200/TB200HB)
- 02 to 24** (TB300/TB345)

High Barrier Option Only



HB = High Barrier

Orientation



- BF** - bottom forward
- BR** - bottom reverse
- TF** - top forward
- TR** - top reverse

Note: Marking Strips are not available on TB400 Series.

Series TS - Standard Base

Terminal Blocks; 8.00, 10.00, 12.00, 13.50mm Centers

SPECIFICATIONS

Rating: TS08 – 20A, 600V
 TS10 – 30A, 600V
 TS12 – 35A, 600V
 TS14 – 50A, 600V

Wire Range: See Table

Housing Material: Polyamide Type 6/6, 94V2 (white)

Contact Material: Nickel-Plated Brass

Wire Protector: Stainless Steel

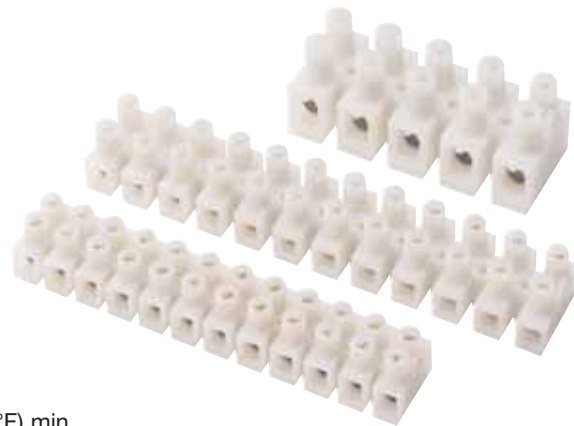
Screw Size: See Table

Operating Temperature: 105°C (221°F) max., -30°C (-22°F) min.

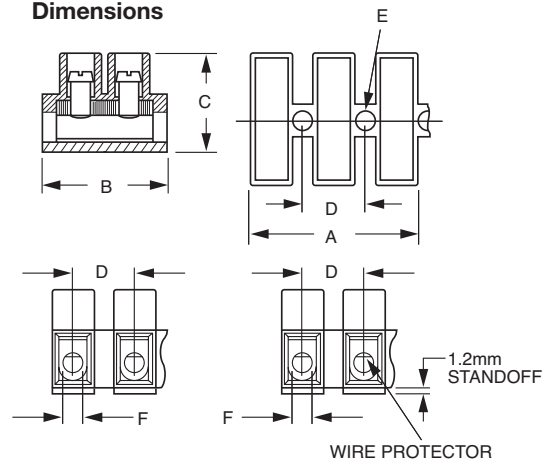
Torque Rating: See Table

Construction: Mold-to-Length

Agency Information: UL File E62622; CE Certified



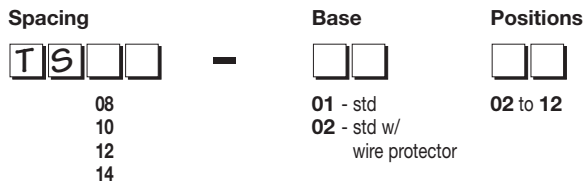
Dimensions



| # of Poles | A Dimensions | | | | | | | |
|------------|--------------|-------|--------|-------|--------|-------|--------|-------|
| | TS08 | | TS10 | | TS12 | | TS14 | |
| | mm | in | mm | in | mm | in | mm | in |
| 2 | 15.80 | 0.622 | 17.50 | 0.689 | 20.70 | 0.815 | 23.00 | 0.906 |
| 3 | 23.80 | 0.937 | 27.50 | 1.083 | 32.70 | 1.287 | 36.50 | 1.437 |
| 4 | 31.80 | 1.252 | 37.50 | 1.476 | 44.70 | 1.760 | 50.00 | 1.969 |
| 5 | 39.80 | 1.567 | 47.50 | 1.870 | 56.70 | 2.232 | 63.50 | 2.500 |
| 6 | 47.80 | 1.882 | 57.50 | 2.264 | 68.70 | 2.705 | 77.00 | 3.031 |
| 7 | 55.80 | 2.232 | 67.50 | 2.657 | 80.70 | 3.177 | 90.50 | 3.563 |
| 8 | 63.80 | 2.512 | 77.50 | 3.051 | 92.70 | 3.650 | 104.00 | 4.094 |
| 9 | 71.80 | 2.827 | 87.50 | 3.445 | 104.70 | 4.122 | 117.50 | 4.626 |
| 10 | 79.80 | 3.142 | 97.50 | 3.839 | 116.70 | 4.594 | 131.00 | 5.157 |
| 11 | 87.80 | 3.457 | 107.50 | 4.232 | 128.70 | 5.067 | 144.50 | 5.689 |
| 12 | 95.80 | 3.772 | 117.50 | 4.626 | 140.70 | 5.539 | 158.00 | 6.220 |

| Position | Torque lb-in | Clamping Area | Wire Range AWG (Cu) | Dimensions mm (in) | | | | | |
|----------|--------------|---------------------|----------------------------|--------------------|--------------|--------------|--------------|-------------|----------------|
| | | | | Screw | B | C | D | E | F |
| TS0801 | 3.5 | 4.0mm ² | 22-12 Sol./Str. | M2.6x5 | 17.00 (0.67) | 14.50 (0.57) | 8.00 (0.32) | 2.90 (0.11) | 2.8±0.1 (0.11) |
| TS0802 | 3.5 | 1.5mm ² | 22-12 Sol./Str. | M2.6x5 | 17.00 (0.67) | 14.50 (0.57) | 8.00 (0.32) | 2.90 (0.11) | 2.8±0.1 (0.11) |
| TS1001 | 4.4 | 6.0mm ² | 22-10 Sol. 14-10 Str. | M3.0x6 | 20.20 (0.80) | 17.00 (0.67) | 10.00 (0.39) | 3.60 (0.14) | 3.4±0.1 (0.13) |
| TS1002 | 4.4 | 2.5mm ² | 22-12 Sol./Str. 10 Sol. | M3.0x6 | 20.20 (0.80) | 17.00 (0.67) | 10.00 (0.39) | 3.60 (0.14) | 3.4±0.1 (0.13) |
| TS1201 | 7.0 | 10.0mm ² | 22-10 Sol./Str. | M3.5x7 | 23.80 (0.94) | 19.00 (0.75) | 12.00 (0.47) | 3.90 (0.14) | 4.2±0.1 (0.15) |
| TS1202 | 7.0 | 6.0mm ² | 22-10 Sol./Str. | M3.5x7 | 23.80 (0.94) | 19.00 (0.75) | 12.00 (0.47) | 3.90 (0.15) | 4.2±0.1 (0.15) |
| TS1401 | 12.0 | 16.0mm ² | 20-8 Sol./Str. | M4.0x9 | 25.60 (1.01) | 25.20 (0.99) | 13.50 (0.53) | 4.40 (0.17) | 5.0±0.1 (0.19) |
| TS1402 | 12.0 | 10.0mm ² | 20-8 Sol./Str. | M4.0x9 | 25.60 (1.01) | 25.20 (0.99) | 13.50 (0.53) | 4.40 (0.17) | 5.0±0.1 (0.19) |

Part Numbering System



Terminal Blocks:
Single & Double Row

EuroMag Series

Terminal Blocks:
Base & Rail Mount

Power Distribution
Blocks

Wire Management
Products

Edge Connectors,
One-Sided Boards

Compliance
References

Series TS - Flat Base

Terminal Blocks; 8.00, 10.00mm Centers

SPECIFICATIONS

Rating: TS08 – 20A, 600V
TS10 – 30A, 600V

Wire Range: See Table

Housing Material: Polyamide Type 6/6, 94V2 (white)

Contact Material: Nickel-Plated Brass

Wire Protector: Stainless Steel

Screw Size: See Table

Operating Temperature: 105°C (221°F) max., -30°C (-22°F) min.

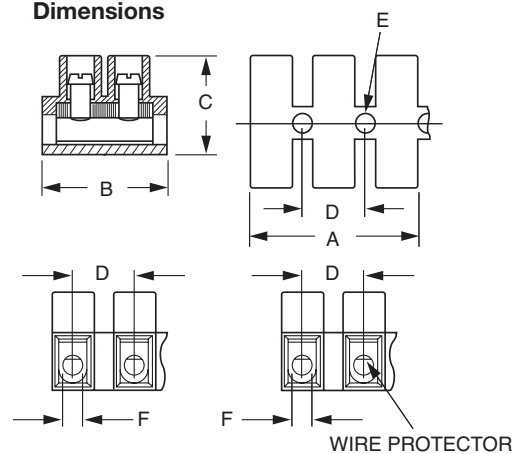
Torque Rating: See Table

Construction: Mold-to-Length

Agency Information: UL File E62622; CE Certified



Dimensions



| # of Poles | A Dimensions | | | |
|------------|--------------|-------|--------|-------|
| | TS08 | | TS10 | |
| | mm | in | mm | in |
| 2 | 15.80 | 0.622 | 17.50 | 0.689 |
| 3 | 23.80 | 0.937 | 27.50 | 1.083 |
| 4 | 31.80 | 1.252 | 37.50 | 1.476 |
| 5 | 39.80 | 1.567 | 47.50 | 1.870 |
| 6 | 47.80 | 1.882 | 57.50 | 2.264 |
| 7 | 55.80 | 2.232 | 67.50 | 2.657 |
| 8 | 63.80 | 2.512 | 77.50 | 3.051 |
| 9 | 71.80 | 2.827 | 87.50 | 3.445 |
| 10 | 79.80 | 3.142 | 97.50 | 3.839 |
| 11 | 87.80 | 3.457 | 107.50 | 4.232 |
| 12 | 95.80 | 3.772 | 117.50 | 4.626 |

| Position | Torque lb-in | Clamping Area | Wire Range AWG (Cu) | Dimensions mm (in) | | | | | |
|----------|--------------|--------------------|----------------------------|--------------------|--------------|--------------|--------------|-------------|----------------|
| | | | | Screw | B | C | D | E | F |
| TS0803 | 3.5 | 4.0mm ² | 22-12 Sol./Str. | M2.6x5 | 16.30 (0.64) | 13.30 (0.53) | 8.00 (0.32) | 2.90 (0.11) | 2.8±0.1 (0.11) |
| TS0804 | 3.5 | 1.5mm ² | 22-12 Sol./Str. | M2.6x5 | 16.30 (0.64) | 13.30 (0.52) | 8.00 (0.32) | 2.90 (0.11) | 2.8±0.1 (0.11) |
| TS1003 | 4.4 | 6.0mm ² | 22-10 Sol. 14-10 Str. | M3.0x6 | 20.20 (0.80) | 15.80 (0.62) | 10.00 (0.39) | 3.60 (0.14) | 3.2±0.1 (0.13) |
| TS1004 | 4.4 | 2.5mm ² | 22-12 Sol./Str. 10 Sol. | M3.0x6 | 20.20 (0.80) | 15.80 (0.62) | 10.00 (0.39) | 3.60 (0.14) | 3.2±0.1 (0.13) |

Part Numbering System

Spacing



08
10

Base



03 - flat
04 - flat w/
wire protector

Positions



02 to 12

Terminal Blocks:
Single & Double Row

EuroMag Series

Terminal Blocks:
Base & Rail Mount

Power Distribution
Blocks

Wire Management
Products

Edge Connectors,
One-Sided Boards

Compliance
References

Series TS - Raised Base

Terminal Blocks; 8.00, 10.00mm Centers

SPECIFICATIONS

Rating: TS08 – 20A, 600V
TS10 – 30A, 600V

Wire Range: See Table

Housing Material: Polyamide Type 6/6, 94V2 (white)

Contact Material: nickel-plated Brass

Wire Protector: Stainless Steel

Screw Size: See Table

Operating Temperature: 105°C (221°F) max., -30°C (-22°F) min.

Torque Rating: See Table

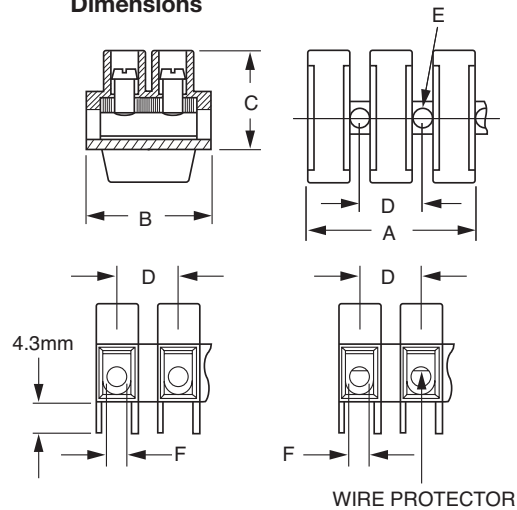
Construction: Mold to Length

Agency Information: UL File E62622; CE Certified



Note: TS Series standard base pictured above

Dimensions

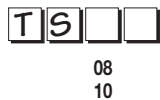


| # of Poles | A Dimensions | | | |
|------------|--------------|-------|--------|-------|
| | TS08 | | TS10 | |
| | mm | in | mm | in |
| 2 | 15.80 | 0.622 | 17.50 | 0.689 |
| 3 | 23.80 | 0.937 | 27.50 | 1.083 |
| 4 | 31.80 | 1.252 | 37.50 | 1.476 |
| 5 | 39.80 | 1.567 | 47.50 | 1.870 |
| 6 | 47.80 | 1.882 | 57.50 | 2.264 |
| 7 | 55.80 | 2.232 | 67.50 | 2.657 |
| 8 | 63.80 | 2.512 | 77.50 | 3.051 |
| 9 | 71.80 | 2.827 | 87.50 | 3.445 |
| 10 | 79.80 | 3.142 | 97.50 | 3.839 |
| 11 | 87.80 | 3.457 | 107.50 | 4.232 |
| 12 | 95.80 | 3.772 | 117.50 | 4.626 |

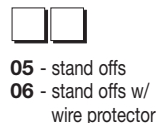
| Position | Torque lb-in | Clamping Area | Wire Range AWG (Cu) | Screw | Dimensions mm (in) | | | | |
|----------|--------------|--------------------|----------------------------|--------|--------------------|--------------|--------------|-------------|----------------|
| | | | | | B | C | D | E | F |
| TS0805 | 3.5 | 4.0mm ² | 22-12 Sol./Str. | M2.6x5 | 16.30 (0.64) | 16.90 (0.67) | 8.00 (0.32) | 2.90 (0.11) | 2.8±0.1 (0.11) |
| TS0806 | 3.5 | 1.5mm ² | 22-12 Sol./Str. | M2.6x5 | 16.30 (0.64) | 16.90 (0.67) | 8.00 (0.32) | 2.90 (0.11) | 2.8±0.1 (0.11) |
| TS1005 | 4.4 | 6.0mm ² | 22-10 Sol. 14-10 Str. | M3.0x6 | 20.20 (0.80) | 20.10 (0.79) | 10.00 (0.39) | 3.60 (0.14) | 3.2±0.1 (0.13) |
| TS1006 | 4.4 | 2.5mm ² | 22-12 Sol./Str. 10 Sol. | M3.0x6 | 20.20 (0.80) | 20.10 (0.79) | 10.00 (0.39) | 3.60 (0.14) | 3.2±0.1 (0.13) |

Part Numbering System

Spacing



Base



Positions



EUROMAG (EM) SERIES

Aside from the collection covered in the next section, MAGNUM also offers a variety of other standard European style PCB terminal blocks. Configurations include straight to board, plug and header, screwless, insulation displacement connectors (IDC), 2-tiered, 3-tiered, mold-to-length, modular (stackable) design, and terminal blocks with horizontal, vertical, 35 and 45 degree wire entry orientations. Available center spacings range from 2.54 mm to 15.00 mm.

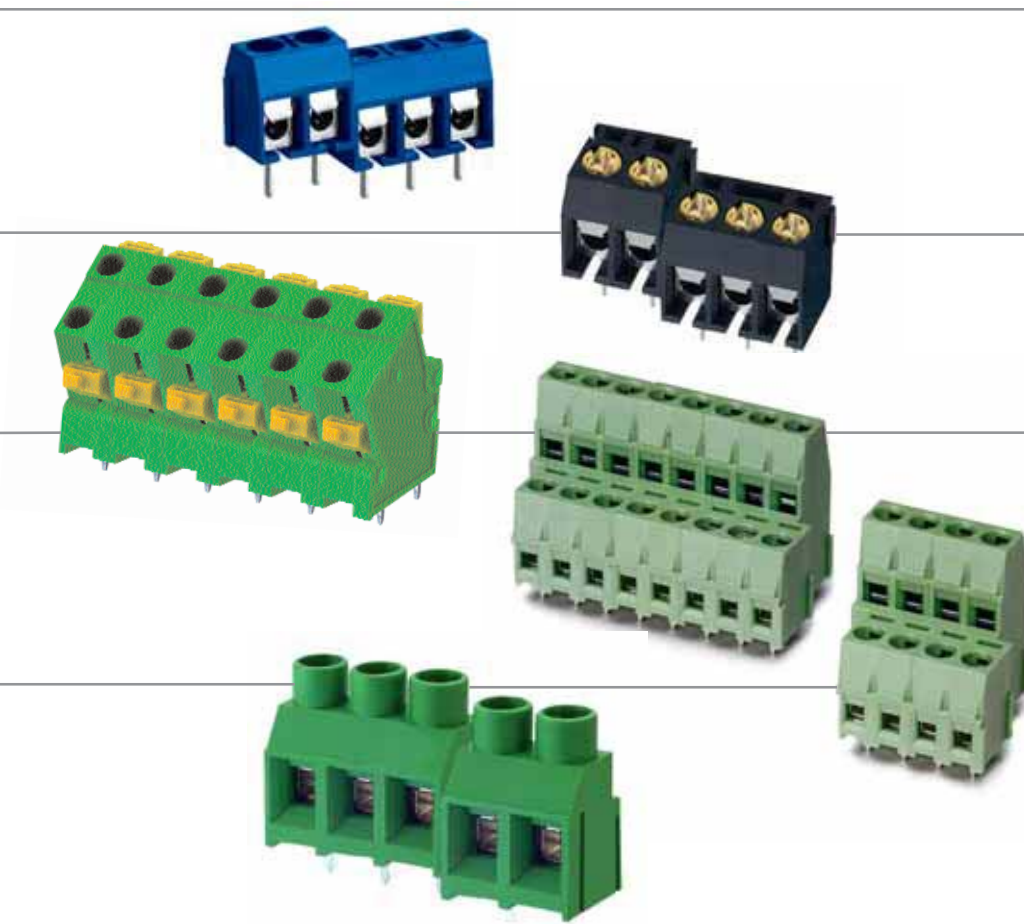
Log onto our website at www.cooperbusssmann.com/magnum to see all of MAGNUM's product offerings.

PCB Mount:

- Spring Clamp Design p38-46
- Cage Clamp Design p47-57
- Two & Three Tier p58-62
- High Current (28A-115A) p63-73

Screwless p74-82

Pluggable p83-115



EM3123 Series
Euro-Mag Terminal Blocks
 3.50 Centers; Modular

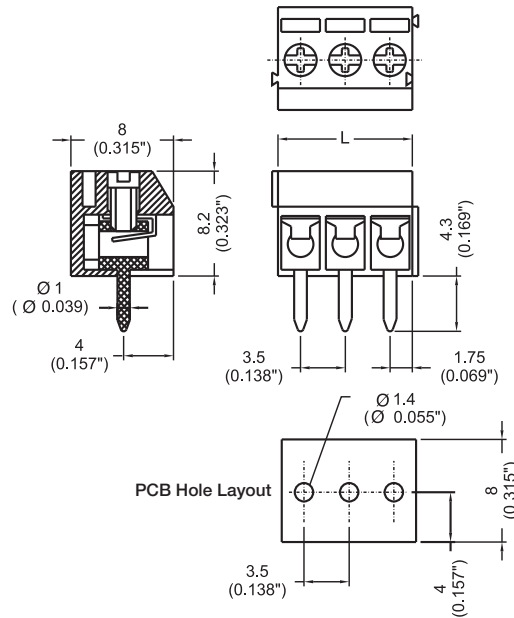
SPECIFICATIONS

- Rating:** 6A, 300V
- Center Spacing:** 0.138" (3.50mm)
- Wire Range:** #16-26 AWG
- Housing Material:** Black Polyamide Type 6/6, 94V0
- Contact Material:** Tin-Plated Brass
- Wire Protector:** Stainless Steel
- Screw Size:** M2.0 Chromate Steel
- Operating Temperature:** 105°C (221°F) max., -33°C (-27°F) min.
- Torque Rating:** 2.5 lb-in.
- Recommended PCB Hole Diameters:** 0.055" (1.40mm)
- Construction:** Modular design features dovetails for interlocking to achieve longer lengths
- Agency Information:** eULus File E62622; CE Certified



EM312305

Dimensions - mm (in)



| Poles | L (mm) | Poles | L (mm) |
|-------|--------|-------|--------|
| 2 | 7.0 | 14 | 49.5 |
| 3 | 10.5 | 15 | 52.5 |
| 4 | 14.0 | 16 | 56.0 |
| 5 | 17.5 | 17 | 59.5 |
| 6 | 21.0 | 18 | 63.0 |
| 7 | 24.5 | 19 | 66.5 |
| 8 | 28.0 | 20 | 70.0 |
| 9 | 31.5 | 21 | 73.5 |
| 10 | 35.0 | 22 | 77.0 |
| 11 | 38.5 | 23 | 80.5 |
| 12 | 42.0 | 24 | 84.0 |
| 13 | 45.5 | | |

To convert to inches, divide by 25.4

Part Numbering System



Terminal Blocks:
Single & Double Row

EuroMag Series

Terminal Blocks:
Base & Rail Mount

Power Distribution
Blocks


Wire Management
Products

Edge Connectors,
One-Sided Boards

Compliance
References

EM2665 Series
Euro-Mag Terminal Blocks
 5.00 Centers

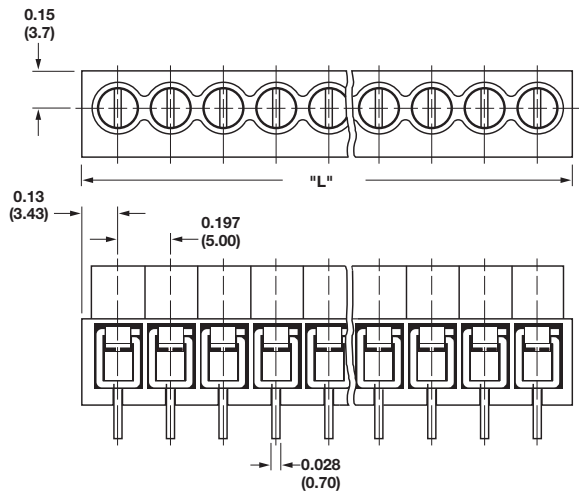
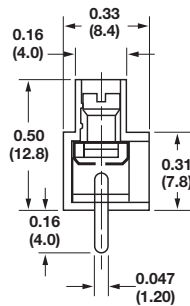
SPECIFICATIONS

- Rating:** 10A, 300V
- Center Spacing:** 0.197" (5.00mm)
 Consult factory for 0.394" (10.00mm)
- Wire Range:** #14-22 AWG
- Housing Material:** UL rated 94V0 Thermoplastic
- Contact Material:** Brass Tin-Plated
- Screw Size:** M3x5 Zinc-Plated Steel
- Operating Temperature:** 105°C (221°F) max., -40°C (-40°F) min.
- Torque Rating:** 7 lb-in.
- Recommended PCB Hole Diameters:** 0.055" (1.40mm)
- Construction:** Mold to Length
- Connector Style:** Spring Clamp
- Agency Information:**  US File E62622; CE Certified



| Position | L (mm) | Position | L (mm) |
|----------|--------|----------|--------|
| 02 | 10.0 | 14 | 70.0 |
| 03 | 15.0 | 15 | 75.0 |
| 04 | 20.0 | 16 | 80.0 |
| 05 | 25.0 | 17 | 85.0 |
| 06 | 30.0 | 18 | 90.0 |
| 07 | 35.0 | 19 | 95.0 |
| 08 | 40.0 | 20 | 100.0 |
| 09 | 45.0 | 21 | 105.0 |
| 10 | 50.0 | 22 | 110.0 |
| 11 | 55.0 | 23 | 115.0 |
| 12 | 60.0 | 24 | 120.0 |
| 13 | 65.0 | | |

To convert to inches, divide by 25.4



Also available in 10.00mm (EM2661XX).

Part Numbering System

Series # of Positions

EM2665

 02 to 24

- Terminal Blocks:
Single & Double Row
- EuroMag Series
- Terminal Blocks:
Base & Rail Mount
- Power Distribution
Blocks
- Wire Management
Products
- Edge Connectors,
One-Sided Boards
- Compliance
References

EM3660 Series
Euro-Mag Terminal Blocks
 5.00 Centers; Modular

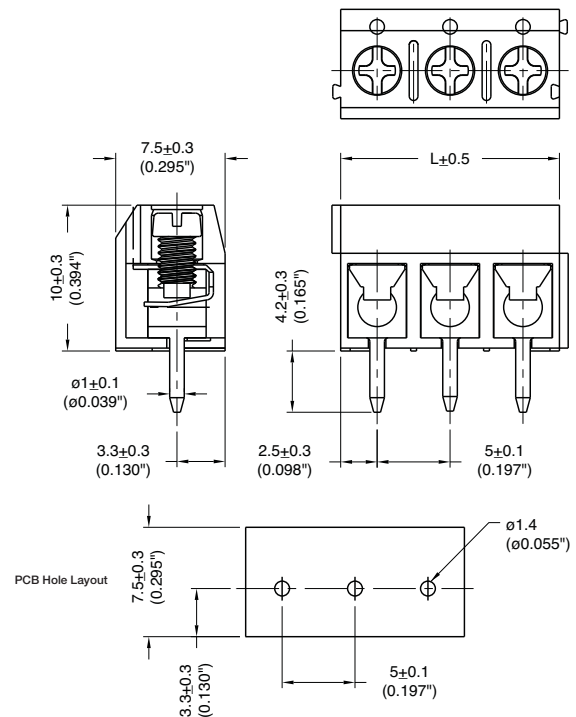


EM366005

SPECIFICATIONS

- Rating:** 16A, 250V
- Center Spacing:** 0.197" (5.00mm)
- Wire Range:** #16-24 AWG
- Housing Material:** Blue Polyamide Type 6/6, 94V0
- Contact Material:** Tin-Plated Brass
- Wire Protector:** Stainless Steel
- Screw Size:** M3 Nickel-Plated Steel
- Operating Temperature:** 105°C (221°F) max., -33°C (-27°F) min.
- Torque Rating:** 4.0 lb-in.
- Recommended PCB Hole Diameters:** 0.055" (1.40mm)
- Construction:** Modular design features dovetails for interlocking to achieve longer lengths
- Agency Information:** File E62622; CE Certified

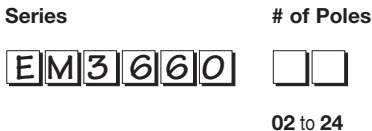
Dimensions - mm (in)



| Poles | L (mm) | Poles | L (mm) |
|-------|--------|-------|--------|
| 2 | 10.0 | 14 | 70.0 |
| 3 | 15.0 | 15 | 75.0 |
| 4 | 20.0 | 16 | 80.0 |
| 5 | 25.0 | 17 | 85.0 |
| 6 | 30.0 | 18 | 90.0 |
| 7 | 35.0 | 19 | 95.0 |
| 8 | 40.0 | 20 | 100.0 |
| 9 | 45.0 | 21 | 105.0 |
| 10 | 50.0 | 22 | 110.0 |
| 11 | 55.0 | 23 | 115.0 |
| 12 | 60.0 | 24 | 120.0 |
| 13 | 65.0 | | |

To convert to inches, divide by 25.4

Part Numbering System



Terminal Blocks:
Single & Double Row

EuroMag Series

Terminal Blocks:
Base & Rail Mount

Power Distribution
Blocks

Wire Management
Products

Edge Connectors,
One-Sided Boards

Compliance
References

EM3665 Series Euro-Mag Terminal Blocks

5.00 Centers; Modular

SPECIFICATIONS

- Rating:** 10A, 300V
- Center Spacing:** 0.197" (5.00mm)
- Wire Range:** #16-22 AWG
- Housing Material:** UL rated 94V0 Thermoplastic
- Contact Material:** Tin-Plated Brass
- Screw Size:** M2.5x5 Zinc-Plated Steel
- Operating Temperature:** 105°C (221°F) max., -40°C (-40°F) min.
- Torque Rating:** 2.5 lb-in.
- Recommended PCB Hole Diameters:** 0.055" (1.40mm)
- Construction:** Modular design features dovetails for interlocking to achieve longer lengths
- Connector Style:** Spring Clamp
- Agency Information:** cULus File E62622; CE Certified

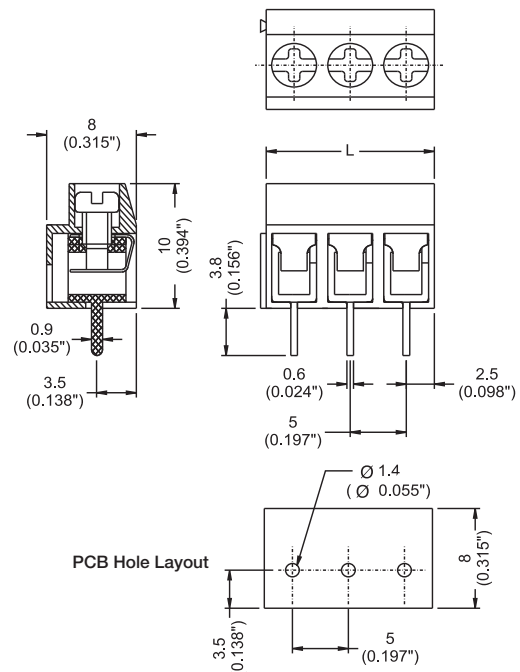


EM366512

| Poles | L (mm) | Poles | L (mm) |
|-------|--------|-------|--------|
| 2 | 10.0 | 14 | 70.0 |
| 3 | 15.0 | 15 | 75.0 |
| 4 | 20.0 | 16 | 80.0 |
| 5 | 25.0 | 17 | 85.0 |
| 6 | 30.0 | 18 | 90.0 |
| 7 | 35.0 | 19 | 95.0 |
| 8 | 40.0 | 20 | 100.0 |
| 9 | 45.0 | 21 | 105.0 |
| 10 | 50.0 | 22 | 110.0 |
| 11 | 55.0 | 23 | 115.0 |
| 12 | 60.0 | 24 | 120.0 |
| 13 | 65.0 | | |

To convert to inches, divide by 25.4

Dimensions - mm (in)



Terminal Blocks:
Single & Double Row

EuroMag Series

Terminal Blocks:
Base & Rail Mount

Power Distribution
Blocks

Wire Management
Products

Edge Connectors,
One-Sided Boards


Compliance
References

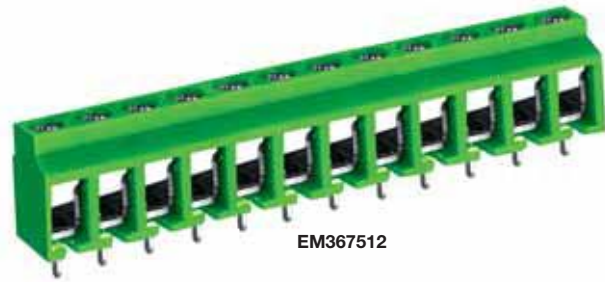
Part Numbering System



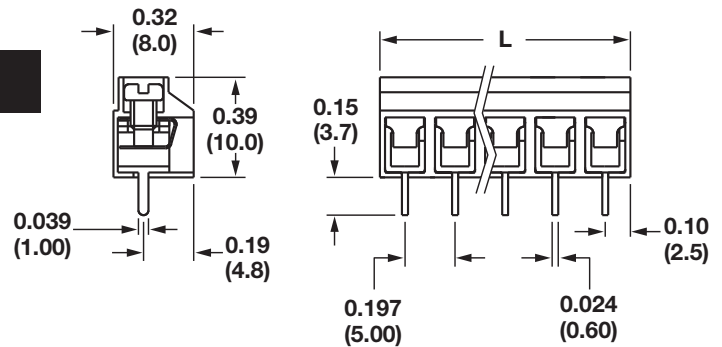
EM3675 Series
Euro-Mag Terminal Blocks
 5.00 Centers

SPECIFICATIONS

- Rating:** 10A, 300V
- Center Spacing:** 0.197" (5.00mm)
- Wire Range:** #14-26 AWG
- Housing Material:** UL rated 94V0 Thermoplastic
- Contact Material:** Tin-Plated Brass
- Screw Size:** M2x6, Nickel-Plated Steel
- Operating Temperature:** 105°C (221°F) max., -40°C (-40°F) min.
- Torque Rating:** 4.0 lb-in.
- Recommended PCB Hole Diameters:** 0.055" (1.40mm)
- Construction:** Mold to Length
- Connector Style:** Spring Clamp
- Agency Information:**  File E62622; CE Certified



Dimensions - mm (in)



| Poles | L (mm) | Poles | L (mm) |
|-------|--------|-------|--------|
| 2 | 10.0 | 15 | 75.0 |
| 3 | 15.0 | 16 | 80.0 |
| 4 | 20.0 | 17 | 85.0 |
| 5 | 25.0 | 18 | 90.0 |
| 6 | 30.0 | 19 | 95.0 |
| 7 | 35.0 | 20 | 100.0 |
| 8 | 40.0 | 21 | 105.0 |
| 9 | 45.0 | 22 | 110.0 |
| 10 | 50.0 | 23 | 115.0 |
| 11 | 55.0 | 24 | 120.0 |
| 12 | 60.0 | 25 | 125.0 |
| 13 | 65.0 | 26 | 130.0 |
| 14 | 70.0 | 27 | 135.0 |

To convert to inches, divide by 25.4

Part Numbering System



Terminal Blocks:
Single & Double Row

EuroMag Series

Terminal Blocks:
Base & Rail Mount

Power Distribution
Blocks


Wire Management
Products

Edge Connectors,
One-Sided Boards

Compliance
References

EM3127 Series
Euro-Mag Terminal Blocks
7.50 Centers; Modular

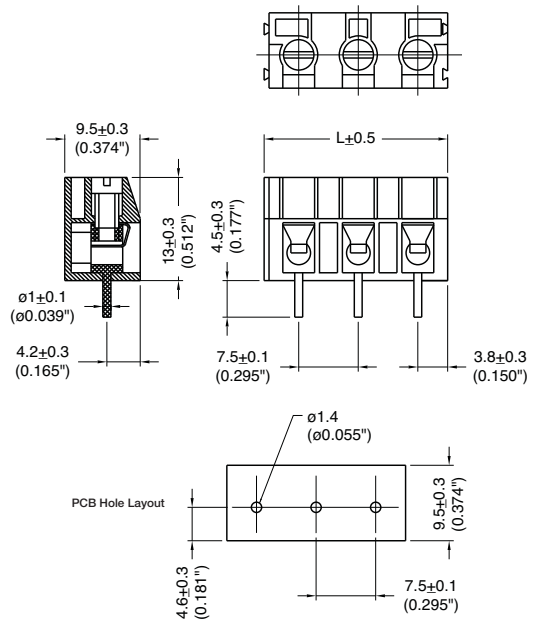
SPECIFICATIONS

- Rating:** 10A, 300V
- Center Spacing:** 0.295" (7.50mm)
- Wire Range:** #14-22 AWG
- Housing Material:** Black Polyamide Type 6/6, 94V0
- Contact Material:** Tin-Plated Brass
- Wire Protector:** Stainless Steel
- Screw Size:** M3.0 Nickel-Plated Steel
- Operating Temperature:** 105°C (221°F) max., -33°C (-27°F) min.
- Torque Rating:** 3.5 lb-in.
- Recommended PCB Hole Diameters:** 0.055" (1.40mm)
- Construction:** Modular design features dovetails for interlocking to achieve longer lengths
- Agency Information:**  US File E62622; CE Certified



EM312705

Dimensions - mm (in)



| Poles | L (mm) | Poles | L (mm) |
|-------|--------|-------|--------|
| 2 | 15.0 | 14 | 105.0 |
| 3 | 22.5 | 15 | 112.5 |
| 4 | 33.0 | 16 | 120.0 |
| 5 | 37.5 | 17 | 127.5 |
| 6 | 45.0 | 18 | 133.0 |
| 7 | 52.5 | 19 | 142.5 |
| 8 | 60.0 | 20 | 150.0 |
| 9 | 67.5 | 21 | 157.5 |
| 10 | 75.0 | 22 | 165.0 |
| 11 | 82.5 | 23 | 172.5 |
| 12 | 90.0 | 24 | 180.0 |
| 13 | 97.5 | | |

To convert to inches, divide by 25.4

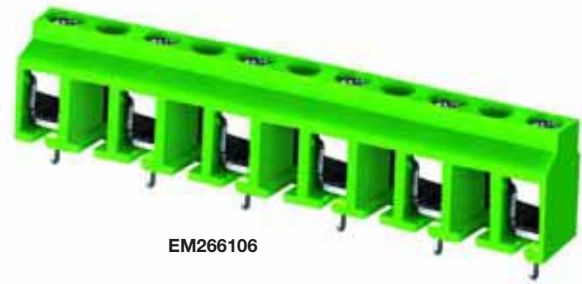
Part Numbering System



EM2661 Series
Euro-Mag Terminal Blocks
10.00 Centers

SPECIFICATIONS

- Rating:** 10A, 300V
- Center Spacing:** 0.394" (10.00mm)
- Wire Range:** #14-26 AWG
- Housing Material:** UL rated 94V0 Thermoplastic
- Contact Material:** Tin-Plated Brass
- Wire Protector:** Stainless Steel
- Screw Size:** M2.6 Chromate Steel
- Operating Temperature:** 105°C (221°F) max., -55°C (-40°F) min.
- Torque Rating:** 4.0 lb-in.
- Recommended PCB Hole Diameters:** 0.055" (1.40mm)
- Construction:** Mold-to-Length
- Agency Information:** US File E62622; CE Certified

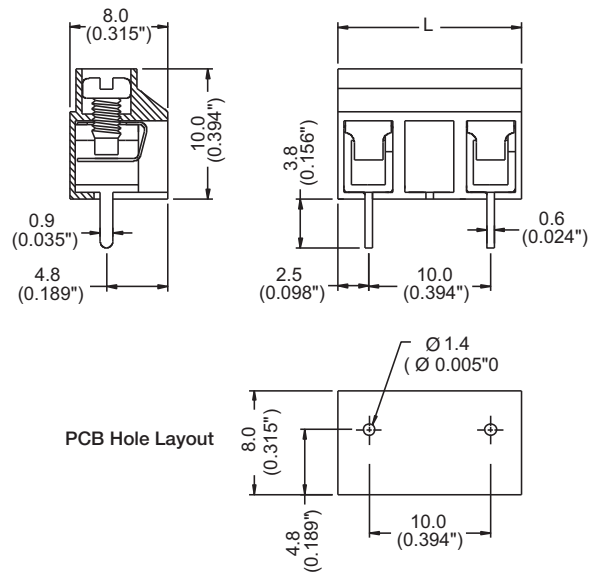


EM266106

| Poles | L (mm) | Poles | L (mm) |
|-------|--------|-------|--------|
| 2 | 15.0 | 8 | 75.0 |
| 3 | 25.0 | 9 | 85.0 |
| 4 | 35.0 | 10 | 95.0 |
| 5 | 45.0 | 11 | 105.0 |
| 6 | 55.0 | 12 | 115.0 |
| 7 | 65.0 | 13 | 125.0 |

To convert to inches, divide by 25.4

Dimensions - mm (in)




Part Numbering System



EM3661 Series
Euro-Mag Terminal Blocks
10.00 Centers; Modular

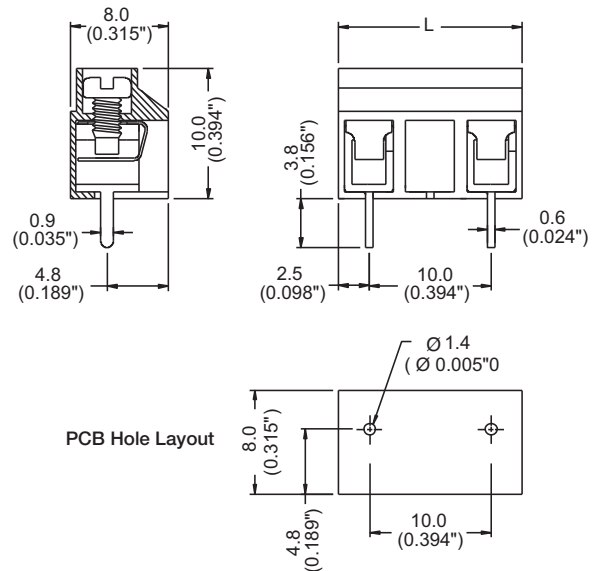
SPECIFICATIONS

- Rating:** 10A, 300V
- Center Spacing:** 0.394" (10.00mm)
- Wire Range:** #14-26 AWG
- Housing Material:** UL rated 94V0 Thermoplastic
- Contact Material:** Tin-Plated Brass
- Wire Protector:** Stainless Steel
- Screw Size:** M2.6 Chromate Steel
- Operating Temperature:** 105°C (221°F) max., -55°C (-40°F) min.
- Torque Rating:** 4.0 lb-in.
- Recommended PCB Hole Diameters:** 0.055" (1.40mm)
- Construction:** Modular design features dovetails for interlocking to achieve longer lengths
- Agency Information:**  US File E62622; CE Certified



EM366102

Dimensions - mm (in)



| Poles | L (mm) | Poles | L (mm) |
|-------|--------|-------|--------|
| 2 | 15.0 | 9 | 50.0 |
| 3 | 20.0 | 10 | 55.0 |
| 4 | 25.0 | 11 | 60.0 |
| 5 | 30.0 | 12 | 65.0 |
| 6 | 35.0 | 13 | 70.0 |
| 7 | 40.0 | 14 | 75.0 |
| 8 | 45.0 | | |

To convert to inches, divide by 25.4

Part Numbering System



Terminal Blocks:
Single & Double Row

EuroMag Series

Terminal Blocks:
Base & Rail Mount

Power Distribution
Blocks

Wire Management
Products

Edge Connectors,
One-Sided Boards

Compliance
References

EM3671 Series
Euro-Mag Terminal Blocks
10.00 Centers

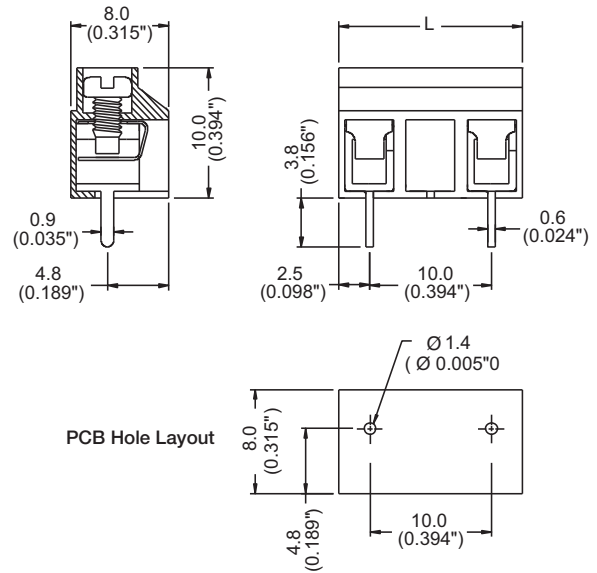
SPECIFICATIONS

- Rating:** 10A, 300V
- Center Spacing:** 0.394" (10.00mm)
- Wire Range:** #14-26 AWG
- Housing Material:** UL rated 94V0 Thermoplastic
- Contact Material:** Tin-Plated Brass
- Wire Protector:** Stainless Steel
- Screw Size:** M2.6 Chromate Steel
- Operating Temperature:** 105°C (221°F) max., -55°C (-40°F) min.
- Torque Rating:** 4.0 lb-in.
- Recommended PCB Hole Diameters:** 0.055" (1.40mm)
- Construction:** Mold-to-Length
- Agency Information:** e³US File E62622; CE Certified



EM367106

Dimensions - mm (in)



| Poles | L (mm) | Poles | L (mm) |
|-------|--------|-------|--------|
| 2 | 15.0 | 8 | 75.0 |
| 3 | 25.0 | 9 | 85.0 |
| 4 | 35.0 | 10 | 95.0 |
| 5 | 45.0 | 11 | 105.0 |
| 6 | 55.0 | 12 | 115.0 |
| 7 | 65.0 | 13 | 125.0 |


To convert to inches, divide by 25.4

Part Numbering System



EM3923 Series
Euro-Mag Terminal Blocks
 3.50 Centers; Modular

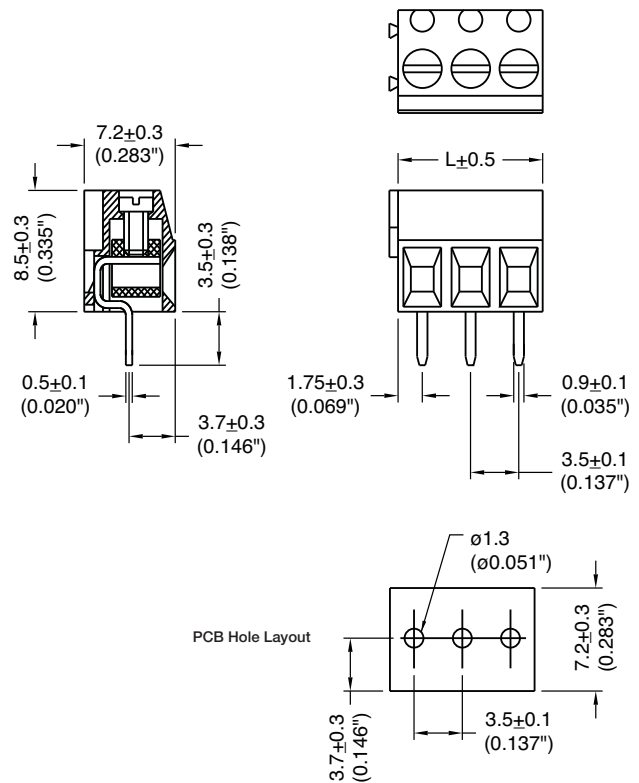
SPECIFICATIONS

- Rating:** 8A, 300V
- Center Spacing:** 0.138" (3.50mm)
- Wire Range:** #16-26 AWG
- Housing Material:** UL rated 94V0 Thermoplastic
- Contact Material:** Brass Tin-Plated
- Cage Clamp:** Brass, Nickel-Plated
- Screw Size:** M2.0 Nickel-Plated Steel
- Operating Temperature:** 105°C (221°F) max., -40°C (-67°F) min.
- Torque Rating:** 2.5 lb-in.
- Recommended PCB Hole Diameters:** 0.055" (1.40mm)
- Construction:** Modular design features dovetails for interlocking to achieve longer lengths
- Agency Information:**  US File E62622; CE Certified



EM392305

Dimensions - mm (in)



| Poles | L (mm) | Poles | L (mm) |
|-------|--------|-------|--------|
| 2 | 7.0 | 14 | 49.5 |
| 3 | 10.5 | 15 | 52.5 |
| 4 | 14.0 | 16 | 56.0 |
| 5 | 17.5 | 17 | 59.5 |
| 6 | 21.0 | 18 | 63.0 |
| 7 | 24.5 | 19 | 66.5 |
| 8 | 28.0 | 20 | 70.0 |
| 9 | 31.5 | 21 | 73.5 |
| 10 | 35.0 | 22 | 77.0 |
| 11 | 38.5 | 23 | 80.5 |
| 12 | 42.0 | 24 | 84.0 |
| 13 | 45.5 | | |

To convert to inches, divide by 25.4

Part Numbering System



Terminal Blocks:
Single & Double Row

EuroMag Series

Terminal Blocks:
Base & Rail Mount

Power Distribution
Blocks

Wire Management
Products

Edge Connectors,
One-Sided Boards

Compliance
References

EM3503 Series
Euro-Mag Terminal Blocks
 3.81 Centers; Modular

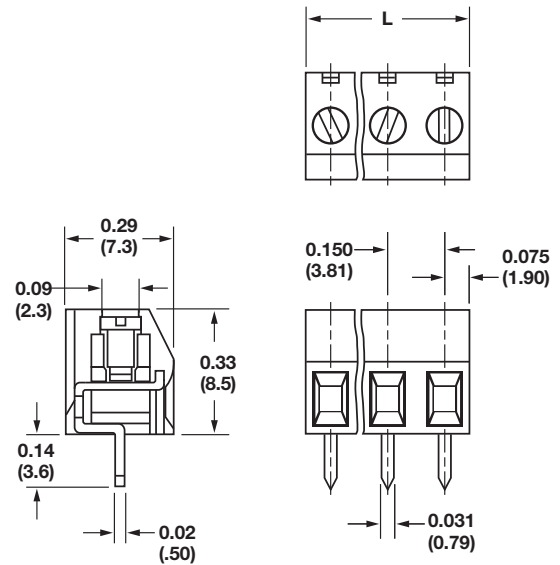
SPECIFICATIONS

- Rating: 8A, 300V
- Center Spacing: 0.150" (3.81mm)
- Wire Size: #16-26 AWG
- Housing Material: UL rated 94V0 Thermoplastic
- Contact Material: Brass Tin-Plated
- Screw Size: M 2x3 Zinc-Plated Steel
- Operating Temperature: 105°C (221°F) max., -40°C (-40°F) min.
- Torque Rating: 4.5 lb-in.
- Recommended PCB Hole Diameters: 0.055" (1.40mm)
- Construction: Modular design features dovetails for interlocking to achieve longer lengths
- Agency Information: File E62622; CE Certified



EM350305

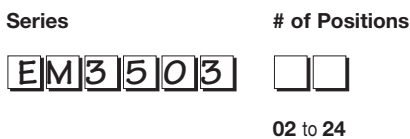
Dimensions - mm (in)



| Poles | L (mm) | Poles | L (mm) |
|-------|--------|-------|--------|
| 2 | 7.62 | 14 | 53.34 |
| 3 | 11.43 | 15 | 57.15 |
| 4 | 15.24 | 16 | 60.96 |
| 5 | 19.05 | 17 | 64.77 |
| 6 | 22.86 | 18 | 68.58 |
| 7 | 26.67 | 19 | 72.39 |
| 8 | 30.48 | 20 | 76.20 |
| 9 | 34.29 | 21 | 80.01 |
| 10 | 38.10 | 22 | 83.82 |
| 11 | 41.91 | 23 | 87.63 |
| 12 | 45.72 | 24 | 91.44 |
| 13 | 49.53 | | |

To convert to inches, divide by 25.4

Part Numbering System



Terminal Blocks: Single & Double Row

EuroMag Series

Terminal Blocks: Base & Rail Mount

Power Distribution Blocks


Wire Management Products

Edge Connectors, One-Sided Boards

Compliance References

EM2585 Series
Euro-Mag Terminal Blocks
 5.00 Centers; Modular

SPECIFICATIONS

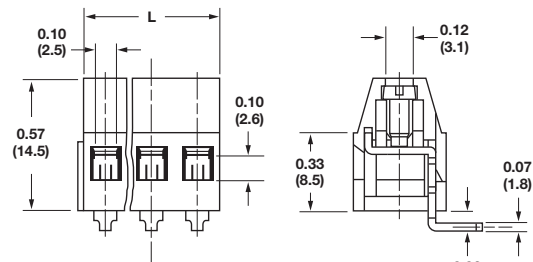
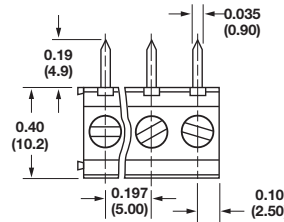
- Rating:** 16A, 300V
- Center Spacing:** 0.197" (5.00mm)
 Consult factory for 0.394" (10.00mm)
- Wire Range:** #12-26 AWG
- Housing Material:** UL rated 94V0 Thermoplastic
- Contact Material:** Brass Tin-Plated
- Screw Size:** M3x5 Zinc-Plated Steel
- Operating Temperature:** 105°C (221°F) max., -40°C (-40°F) min.
- Torque Rating:** 7 lb-in.
- Recommended PCB Hole Diameters:** 0.055" (1.40mm)
- Construction:** Modular design features dovetails for interlocking to achieve longer lengths
- Connector Style:** Rising Cage Clamp
- Agency Information:**  File E62622; CE Certified



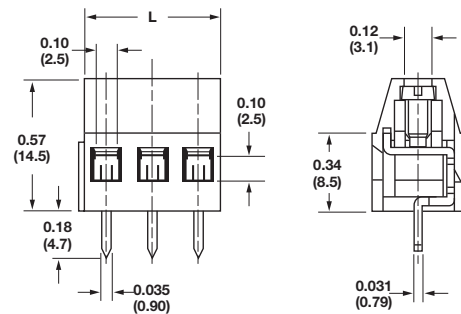
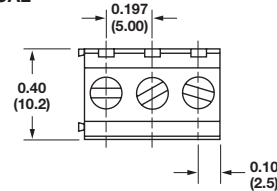
EM258505V

Dimensions - mm (in)

HORIZONTAL



VERTICAL



| Position | L (mm) | Position | L (mm) |
|----------|--------|----------|--------|
| 02 | 10.0 | 14 | 70.0 |
| 03 | 15.0 | 15 | 75.0 |
| 04 | 20.0 | 16 | 80.0 |
| 05 | 25.0 | 17 | 85.0 |
| 06 | 30.0 | 18 | 90.0 |
| 07 | 35.0 | 19 | 95.0 |
| 08 | 40.0 | 20 | 100.0 |
| 09 | 45.0 | 21 | 105.0 |
| 10 | 50.0 | 22 | 110.0 |
| 11 | 55.0 | 23 | 115.0 |
| 12 | 60.0 | 24 | 120.0 |
| 13 | 65.0 | | |

To convert to inches, divide by 25.4

Part Numbering System

| Series | # of Positions | Orientation |
|--------|--------------------------|--------------------------------|
| EM2585 | <input type="checkbox"/> | <input type="checkbox"/> |
| | 02 to 24 | H - horizontal V - vertical |

Terminal Blocks:
Single & Double Row

EuroMag Series

Terminal Blocks:
Base & Rail Mount

Power Distribution
Blocks

Wire Management
Products

Edge Connectors,
One-Sided Boards

Compliance
References

EM3225 Series Euro-Mag Terminal Blocks

35° Angle; 5.00 Centers; Modular

SPECIFICATIONS

Rating: 16A, 300V

Center Spacing: 0.197" (5.00mm)
Consult factory for 0.393" (10.00mm)

Wire Range: #14-24 AWG

Housing Material: UL rated 94V0 Thermoplastic

Contact Material: Brass Tin-Plated

Cage Clamp: Brass, Nickel-Plated

Screw Size: M2.6 nickel-plated Steel

Operating Temperature: 105°C (221°F) max., -40°C (-40°F) min.

Torque Rating: 5 lb-in.

Recommended PCB Hole Diameters: 0.055" (1.40mm)

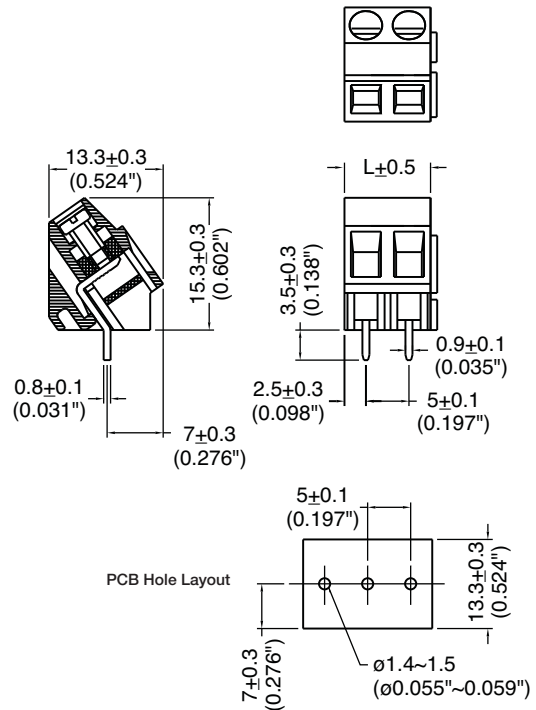
Construction: Modular design features dovetails for interlocking to achieve longer lengths

Agency Information: File E62622; CE Certified



EM322505

Dimensions - mm (in)



| Poles | L (mm) | Poles | L (mm) |
|-------|--------|-------|--------|
| 2 | 10.0 | 14 | 70.0 |
| 3 | 15.0 | 15 | 75.0 |
| 4 | 20.0 | 16 | 80.0 |
| 5 | 25.0 | 17 | 85.0 |
| 6 | 30.0 | 18 | 90.0 |
| 7 | 35.0 | 19 | 95.0 |
| 8 | 40.0 | 20 | 100.0 |
| 9 | 45.0 | 21 | 105.0 |
| 10 | 50.0 | 22 | 110.0 |
| 11 | 55.0 | 23 | 115.0 |
| 12 | 60.0 | 24 | 120.0 |
| 13 | 65.0 | | |

To convert to inches, divide by 25.4

Part Numbering System



Terminal Blocks: Single & Double Row

EuroMag Series

Terminal Blocks: Base & Rail Mount

Power Distribution Blocks


Wire Management Products

Edge Connectors, One-Sided Boards

Compliance References

EM2205 Series
Euro-Mag Terminal Blocks
45° Angle, 5.00 Centers, Modular

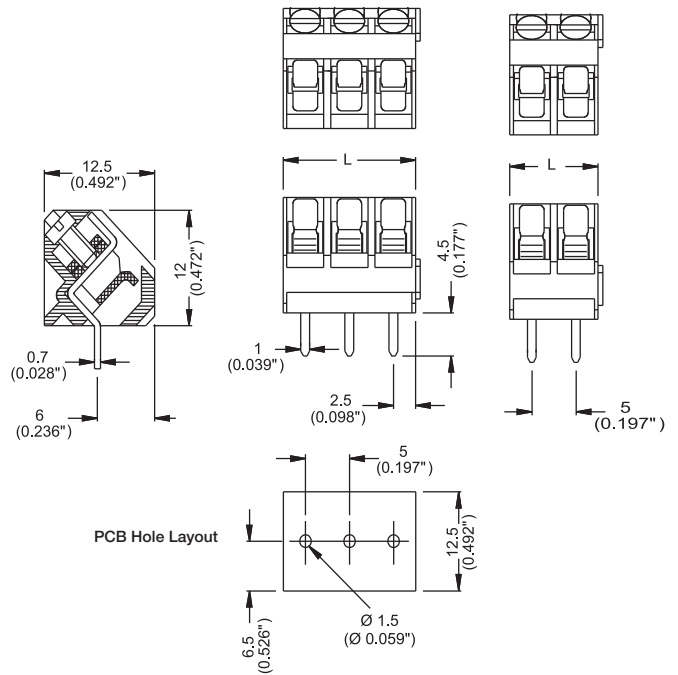
SPECIFICATIONS

- Rating:** 10A, 300V
- Center Spacing:** 0.197" (5.00mm)
Consult factory for 0.393" (10.00mm)
- Wire Range:** #12-24 AWG
- Housing Material:** Grey Polyamide Type 6/6, 94V0
- Contact Material:** Brass Tin-Plated
- Cage Clamp:** Brass, Tin-Plated
- Screw Size:** M2.6 Chromate Steel
- Operating Temperature:** 105°C (221°F) max., -33°C (-27°F) min.
- Torque Rating:** 3.5 lb-in.
- Recommended PCB Hole Diameters:** 0.055" (1.40mm)
- Construction:** Modular design features dovetails for interlocking to achieve longer lengths
- Agency Information:**  US File E62622; CE Certified



EM220505

Dimensions - mm (in)



| Poles | L (mm) | Poles | L (mm) |
|-------|--------|-------|--------|
| 2 | 10.0 | 14 | 70.0 |
| 3 | 15.0 | 15 | 75.0 |
| 4 | 20.0 | 16 | 80.0 |
| 5 | 25.0 | 17 | 85.0 |
| 6 | 30.0 | 18 | 90.0 |
| 7 | 35.0 | 19 | 95.0 |
| 8 | 40.0 | 20 | 100.0 |
| 9 | 45.0 | 21 | 105.0 |
| 10 | 50.0 | 22 | 110.0 |
| 11 | 55.0 | 23 | 115.0 |
| 12 | 60.0 | 24 | 120.0 |
| 13 | 65.0 | | |

To convert to inches, divide by 25.4

Part Numbering System



EM2505 Series
Euro-Mag Terminal Blocks
 5.08 Centers; Modular

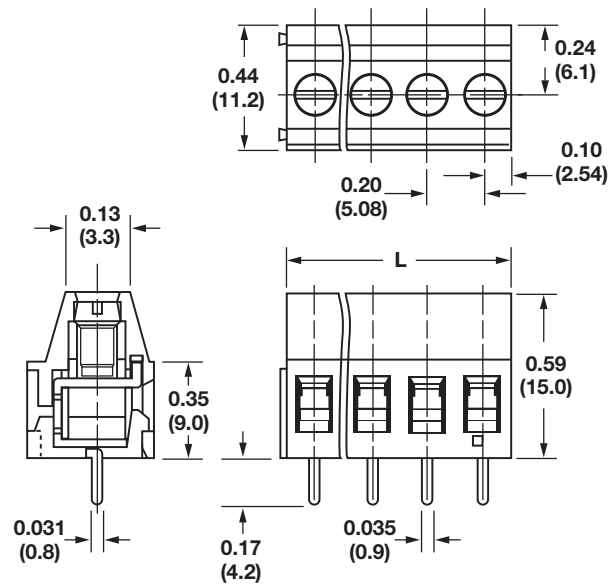
SPECIFICATIONS

- Rating:** 16A, 300V
- Center Spacing:** 0.20" (5.08mm)
 Consult factory for 0.40" (10.16mm)
- Wire Range:** #12-26 AWG
- Housing Material:** UL rated 94V0 Thermoplastic
- Contact Material:** Brass Tin-Plated
- Screw Size:** M3x5 Zinc-Plated Steel
- Operating Temperature:** 105°C (221°F) max., -40°C (-40°F) min.
- Torque Rating:** 7 lb-in.
- Recommended PCB Hole Diameters:** 0.055" (1.40mm)
- Construction:** Modular design features dovetails for interlocking to achieve longer lengths
- Connector Style:** Rising Cage Clamp
- Agency Information:** File E62622; CE Certified



EM250505V

Dimensions - mm (in)



| Position | L (mm) | Position | L (mm) |
|----------|--------|----------|--------|
| 02 | 10.16 | 14 | 71.12 |
| 03 | 15.24 | 15 | 76.20 |
| 04 | 20.32 | 16 | 81.28 |
| 05 | 25.40 | 17 | 86.36 |
| 06 | 30.48 | 18 | 91.44 |
| 07 | 35.56 | 19 | 96.52 |
| 08 | 40.64 | 20 | 101.60 |
| 09 | 45.72 | 21 | 106.68 |
| 10 | 50.80 | 22 | 111.76 |
| 11 | 55.88 | 23 | 116.84 |
| 12 | 60.96 | 24 | 121.92 |
| 13 | 66.04 | | |

To convert to inches, divide by 25.4

Part Numbering System

| Series | # of Positions | Orientation |
|--------|---|--------------------------|
| EM2505 | <input type="checkbox"/> <input type="checkbox"/> | <input type="checkbox"/> |
| | 02 to 24 | V - vertical |

Terminal Blocks: Single & Double Row

EuroMag Series

Terminal Blocks: Base & Rail Mount

Power Distribution Blocks


Wire Management Products

Edge Connectors, One-Sided Boards

Compliance References

EM3228 Series
Euro-Mag Terminal Blocks
 35° Angle; 5.08 Centers; Modular

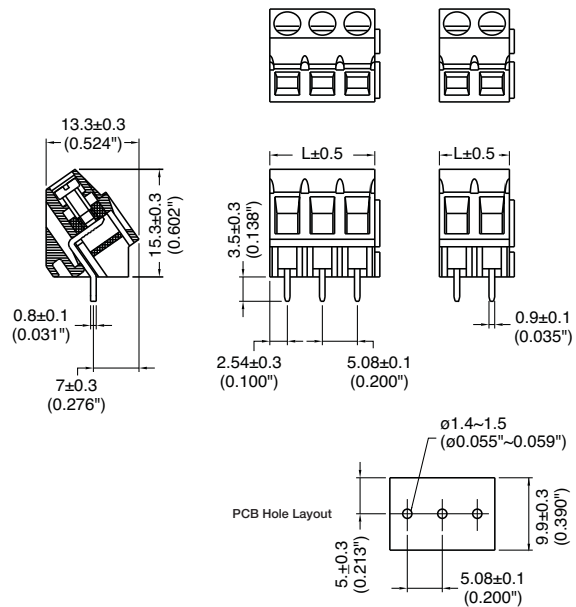
SPECIFICATIONS

- Rating:** 16A, 300V
- Center Spacing:** 0.20" (5.08mm)
 Consult factory for 0.40" (10.16mm)
- Wire Range:** #14-24 AWG
- Housing Material:** UL rated 94V0 Thermoplastic
- Contact Material:** Brass Tin-Plated
- Cage Clamp:** Brass, Nickel-Plated
- Screw Size:** M2.6 Nickel-Plated Steel
- Operating Temperature:** 105°C (221°F) max., -40°C (-40°F) min.
- Torque Rating:** 5 lb-in.
- Recommended PCB Hole Diameters:** 0.055" (1.40mm)
- Construction:** Modular design features dovetails for interlocking to achieve longer lengths
- Agency Information:**  File E62622; CE Certified



EM322805

Dimensions - mm (in)



| Poles | L (mm) | Poles | L (mm) |
|-------|--------|-------|--------|
| 2 | 10.16 | 14 | 72.12 |
| 3 | 15.24 | 15 | 76.20 |
| 4 | 20.32 | 16 | 81.28 |
| 5 | 25.40 | 17 | 86.36 |
| 6 | 30.48 | 18 | 91.44 |
| 7 | 35.56 | 19 | 96.52 |
| 8 | 40.64 | 20 | 101.60 |
| 9 | 45.72 | 21 | 106.68 |
| 10 | 50.80 | 22 | 111.76 |
| 11 | 55.88 | 23 | 116.84 |
| 12 | 60.96 | 24 | 121.92 |
| 13 | 66.04 | | |

To convert to inches, divide by 25.4

Part Numbering System



Terminal Blocks:
Single & Double Row

EuroMag Series

Terminal Blocks:
Base & Rail Mount

Power Distribution
Blocks

Wire Management
Products

Edge Connectors,
One-Sided Boards

Compliance
References

EM2507 Series
Euro-Mag Terminal Blocks
 7.50 Centers; Modular

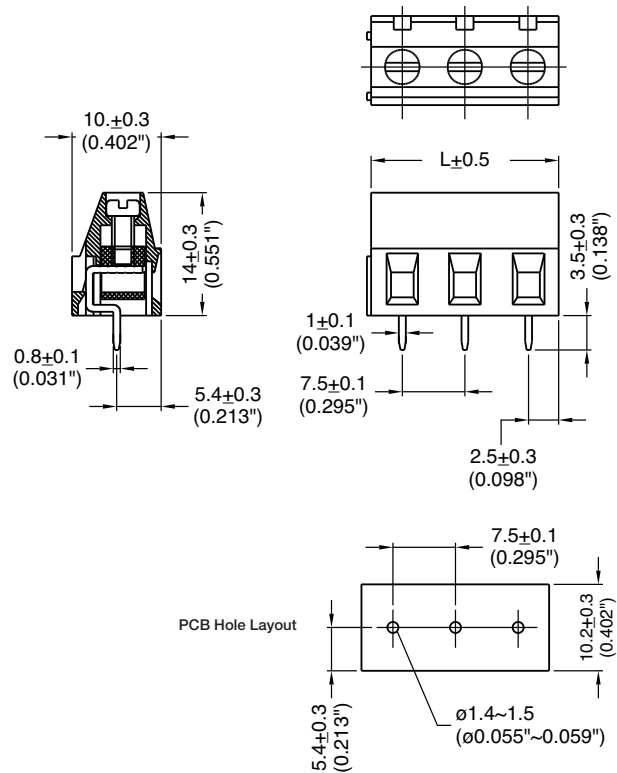
SPECIFICATIONS

- Rating:** 16A, 300V
- Center Spacing:** 0.295" (7.50mm)
- Wire Range:** #14-22 AWG
- Housing Material:** UL rated 94V0 Thermoplastic
- Contact Material:** Brass Tin-Plated
- Cage Clamp:** Brass, Nickel-Plated
- Screw Size:** M2.6 Nickel-Plated Steel
- Operating Temperature:** 105°C (221°F) max., -40°C (-40°F) min.
- Torque Rating:** 5.0 lb-in.
- Recommended PCB Hole Diameters:** 0.055" (1.40mm)
- Construction:** Modular design features dovetails for interlocking to achieve longer lengths
- Agency Information:** File E62622; CE Certified



EM250705

Dimensions - mm (in)



| Poles | L (mm) | Poles | L (mm) |
|-------|--------|-------|--------|
| 2 | 15.0 | 14 | 105.0 |
| 3 | 22.5 | 15 | 112.5 |
| 4 | 33.0 | 16 | 120.0 |
| 5 | 37.5 | 17 | 127.5 |
| 6 | 45.0 | 18 | 133.0 |
| 7 | 52.5 | 19 | 142.5 |
| 8 | 60.0 | 20 | 150.0 |
| 9 | 67.5 | 21 | 157.5 |
| 10 | 75.0 | 22 | 165.0 |
| 11 | 82.5 | 23 | 172.5 |
| 12 | 90.0 | 24 | 180.0 |
| 13 | 97.5 | | |

To convert to inches, divide by 25.4

Part Numbering System



Terminal Blocks: Single & Double Row

EuroMag Series

Terminal Blocks: Base & Rail Mount

Power Distribution Blocks

Wire Management Products

Edge Connectors, One-Sided Boards

Compliance References

EM3227 Series
Euro-Mag Terminal Blocks
 35° Angle, 7.50 Centers; Modular

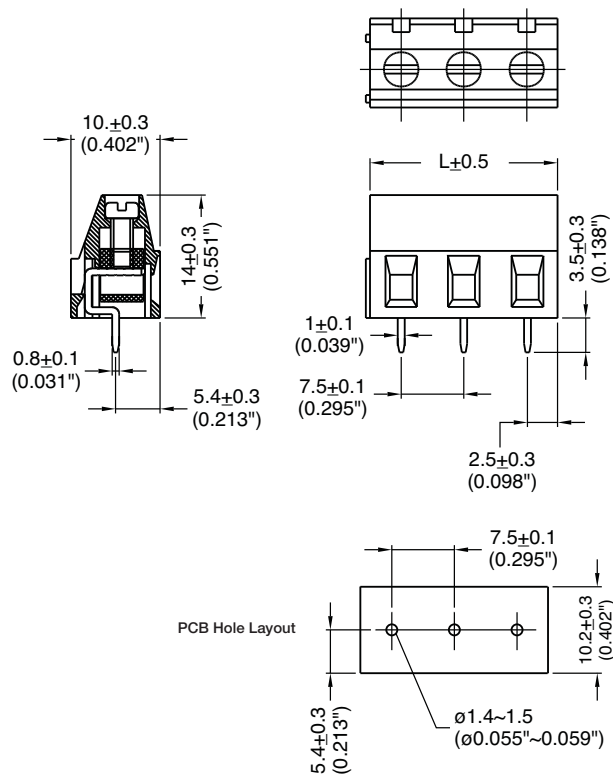
SPECIFICATIONS

- Rating:** 16A, 300V
- Center Spacing:** 0.295" (7.50mm)
 Consult factory for 0.40" (10.16mm)
- Wire Range:** #14-24 AWG
- Housing Material:** UL rated 94V0 Thermoplastic
- Contact Material:** Brass Tin-Plated
- Cage Clamp:** Brass, Nickel-Plated
- Screw Size:** M2.6 Nickel-Plated Steel
- Operating Temperature:** 105°C (221°F) max., -40°C (-40°F) min.
- Torque Rating:** 5.0 lb-in.
- Recommended PCB Hole Diameters:** 0.055" (1.40mm)
- Construction:** Modular design features dovetails for interlocking to achieve longer lengths
- Agency Information:** US File E62622; CE Certified



EM322705

Dimensions - mm (in)



| Poles | L (mm) | Poles | L (mm) |
|-------|--------|-------|--------|
| 2 | 15.0 | 14 | 105.0 |
| 3 | 22.5 | 15 | 112.5 |
| 4 | 33.0 | 16 | 120.0 |
| 5 | 37.5 | 17 | 127.5 |
| 6 | 45.0 | 18 | 133.0 |
| 7 | 52.5 | 19 | 142.5 |
| 8 | 60.0 | 20 | 150.0 |
| 9 | 67.5 | 21 | 157.5 |
| 10 | 75.0 | 22 | 165.0 |
| 11 | 82.5 | 23 | 172.5 |
| 12 | 90.0 | 24 | 180.0 |
| 13 | 97.5 | | |

To convert to inches, divide by 25.4

Part Numbering System



- Terminal Blocks: Single & Double Row
- EuroMag Series
- Terminal Blocks: Base & Rail Mount
- Power Distribution Blocks
- Wire Management Products
- Edge Connectors, One-Sided Boards
- Compliance References

Terminal Blocks:
Single & Double Row

EuroMag Series

Terminal Blocks:
Base & Rail Mount

Power Distribution
Blocks

Wire Management
Products

Edge Connectors,
One-Sided Boards

Compliance
References

EM2506 Series
Euro-Mag Terminal Blocks
7.62 Centers; Modular

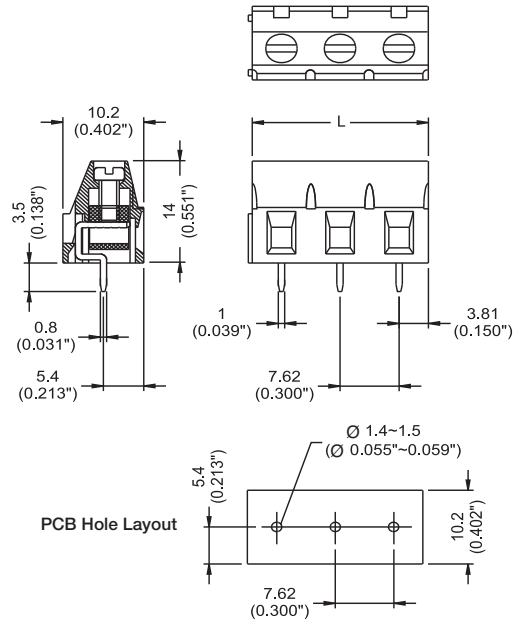
SPECIFICATIONS

- Rating:** 16A, 300V
- Center Spacing:** 0.30" (7.62mm)
- Wire Range:** #14-24 AWG
- Housing Material:** UL rated 94V0 Thermoplastic
- Contact Material:** Brass Tin-Plated
- Cage Clamp:** Brass, Nickel-Plated
- Screw Size:** M2.6 Nickel-Plated Steel
- Operating Temperature:** 105°C (221°F) max., -40°C (-40°F) min.
- Torque Rating:** 5.0 lb-in.
- Recommended PCB Hole Diameters:** 0.055" (1.40mm)
- Construction:** Modular design features dovetails for interlocking to achieve longer lengths
- Agency Information:** File E62622; CE Certified



EM250605

Dimensions - mm (in)



| Poles | L (mm) | Poles | L (mm) |
|-------|--------|-------|--------|
| 2 | 15.24 | 14 | 106.69 |
| 3 | 22.86 | 15 | 114.31 |
| 4 | 30.48 | 16 | 121.93 |
| 5 | 38.10 | 17 | 129.55 |
| 6 | 45.72 | 18 | 137.17 |
| 7 | 53.34 | 19 | 144.79 |
| 8 | 60.96 | 20 | 152.41 |
| 9 | 68.58 | 21 | 160.03 |
| 10 | 76.20 | 22 | 167.65 |
| 11 | 83.82 | 23 | 175.27 |
| 12 | 91.44 | 24 | 182.89 |
| 13 | 99.07 | | |

To convert to inches, divide by 25.4

Part Numbering System



EM3226 Series
Euro-Mag Terminal Blocks
 35° Angle, 7.62 Centers; Modular

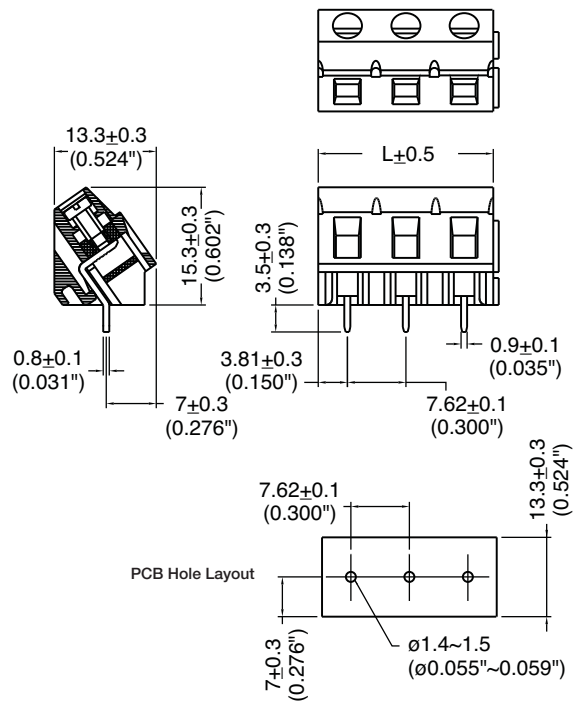
SPECIFICATIONS

- Rating:** 16A, 300V
- Center Spacing:** 0.30" (7.62mm)
- Wire Range:** #14-24 AWG
- Housing Material:** UL rated 94V0 Thermoplastic
- Contact Material:** Brass Tin-Plated
- Cage Clamp:** Brass, Nickel-Plated
- Screw Size:** M2.6 Nickel-Plated Steel
- Operating Temperature:** 105°C (221°F) max., -40°C (-40°F) min.
- Torque Rating:** 5.0 lb-in.
- Recommended PCB Hole Diameters:** 0.055" (1.40mm)
- Construction:** Modular design features dovetails for interlocking to achieve longer lengths
- Agency Information:** File E62622; CE Certified



EM322605

Dimensions - mm (in)



| Poles | L (mm) | Poles | L (mm) |
|-------|--------|-------|--------|
| 2* | 15.24 | 14 | 106.69 |
| 3* | 22.86 | 15 | 114.31 |
| 4 | 30.48 | 16 | 121.93 |
| 5 | 38.10 | 17 | 129.55 |
| 6 | 45.72 | 18 | 137.17 |
| 7 | 53.34 | 19 | 144.79 |
| 8 | 60.96 | 20 | 152.41 |
| 9 | 68.58 | 21 | 160.03 |
| 10 | 76.20 | 22 | 167.65 |
| 11 | 83.82 | 23 | 175.27 |
| 12 | 91.44 | 24 | 182.89 |
| 13 | 99.07 | | |

* Mold To Length
 To convert to inches, divide by 25.4

Part Numbering System



- Terminal Blocks: Single & Double Row
- EuroMag Series
- Terminal Blocks: Base & Rail Mount
- Power Distribution Blocks
- Wire Management Products
- Edge Connectors, One-Sided Boards
- Compliance References

EM2403 Series
Euro-Mag Terminal Blocks
 Two Tier; 3.81 Centers; Modular

SPECIFICATIONS

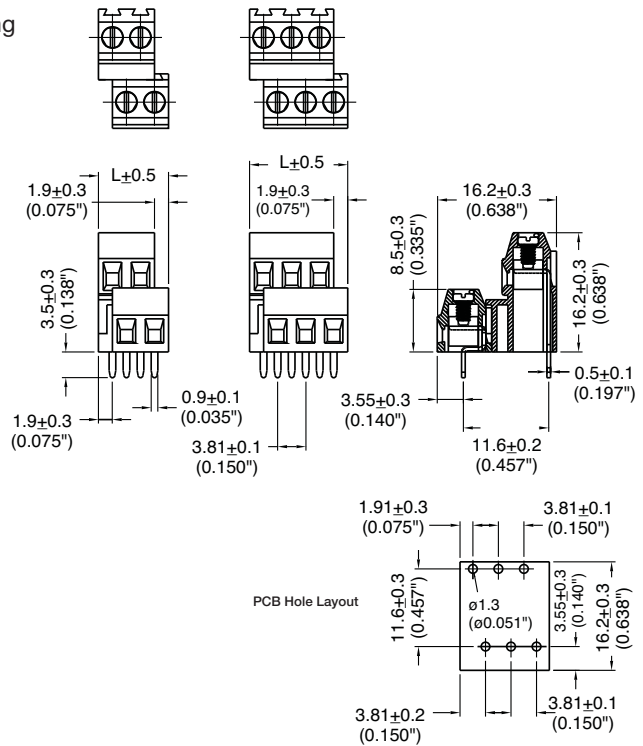
- Rating:** 10A, 300V
- Center Spacing:** 0.150" (3.81mm)
- Wire Range:** #16-26 AWG
- Housing Material:** UL rated 94V0 Thermoplastic
- Contact Material:** Brass Tin-Plated
- Cage Clamp:** Brass, Nickel-Plated
- Screw Size:** M2.0 Nickel-Plated Steel
- Operating Temperature:** 105°C (221°F) max., -40°C (-40°F) min.
- Torque Rating:** 2.5 lb-in.
- Recommended PCB Hole Diameters:** 0.055" (1.40mm)
- Construction:** Modular design features dovetails for interlocking to achieve longer lengths
- Agency Information:** File E62622; CE Certified



EM240308

EM240304

Dimensions - mm (in)



| Poles | L (mm) | Poles | L (mm) |
|-------|--------|-------|--------|
| 2 | 9.53 | 8 | 32.39 |
| 3 | 13.34 | 9 | 36.20 |
| 4 | 17.15 | 10 | 40.00 |
| 5 | 20.96 | 11 | 43.80 |
| 6 | 24.77 | 12 | 47.60 |
| 7 | 28.58 | | |

To convert to inches, divide by 25.4

Part Numbering System



Terminal Blocks: Single & Double Row

EuroMag Series

Terminal Blocks: Base & Rail Mount

Power Distribution Blocks

Wire Management Products

Edge Connectors, One-Sided Boards

Compliance References

**EM2803 Series
Euro-Mag Terminal Blocks**

Three Tier; 3.81 Centers; Modular

SPECIFICATIONS

Rating: 10A, 300V

Center Spacing: 0.150" (3.81mm)

Wire Range: #16-26 AWG

Housing Material: UL rated 94V0 Thermoplastic

Contact Material: Brass Tin-Plated

Cage Clamp: Brass, Nickel-Plated

Screw Size: M2.0 Nickel-Plated Steel

Operating Temperature: 105°C (221°F) max., -40°C (-40°F) min.

Torque Rating: 2.5 lb-in.

Recommended PCB Hole Diameters: 0.055" (1.40mm)

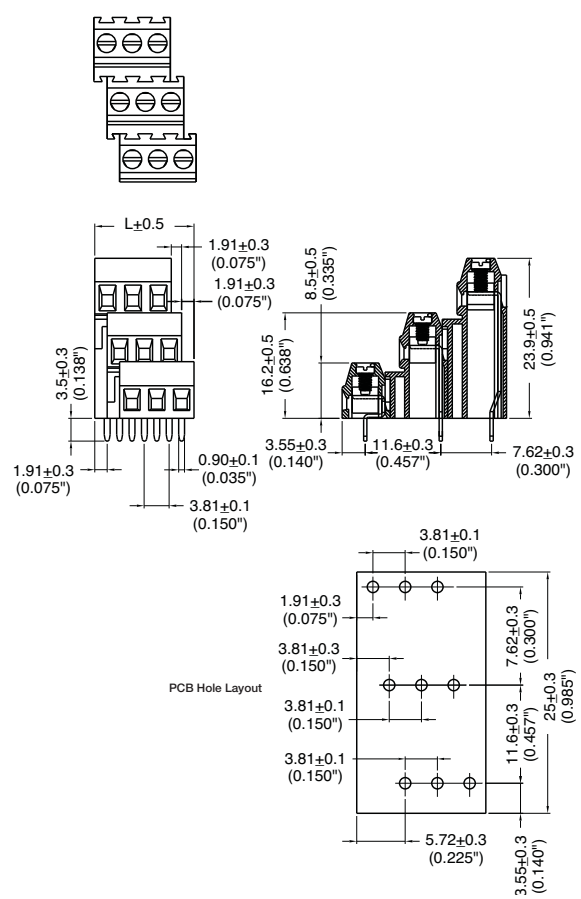
Construction: Modular design features dovetails for interlocking to achieve longer lengths

Agency Information:  US File E62622; CE Certified



EM280302

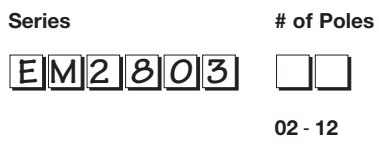
Dimensions - mm (in)



| Poles | L (mm) | Poles | L (mm) |
|-------|--------|-------|--------|
| 2 | 11.43 | 8 | 34.29 |
| 3 | 15.24 | 9 | 38.10 |
| 4 | 19.05 | 10 | 41.90 |
| 5 | 22.86 | 11 | 45.70 |
| 6 | 26.67 | 12 | 49.50 |
| 7 | 30.48 | | |

To convert to inches, divide by 25.4

Part Numbering System



Terminal Blocks:
Single & Double Row

EuroMag Series

Terminal Blocks:
Base & Rail Mount

Power Distribution
Blocks

Wire Management
Products

Edge Connectors,
One-Sided Boards

Compliance
References

EM2445 Series
Euro-Mag Terminal Blocks
Two Tier; 5.00 Centers; Modular

SPECIFICATIONS

- Rating:** 16A, 300V
- Center Spacing:** 0.197" (5.00mm)
- Wire Range:** #14-24 AWG
- Housing Material:** UL rated 94V0 Thermoplastic
- Contact Material:** Tin Plated Brass
- Screw Size:** M2x6 Nickel-Plated Steel
- Operating Temperature:** 105°C (221°F) max., -40°C (-40°F) min.
- Torque Rating:** 5.0 lb-in.
- Recommended PCB Hole Diameters:** 0.055" (1.40mm)
- Construction:** Modular design features dovetails for interlocking to achieve longer lengths
- Connector Style:** Rising Cage Clamp
- Agency Information:** File E62622; CE Certified



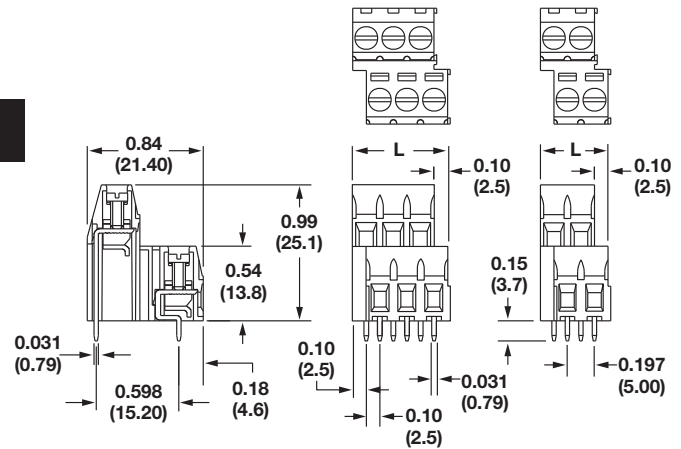
EM244508

EM244504

| Poles | L (mm) | Poles | L (mm) |
|-------|--------|-------|--------|
| 2 | 12.5 | 13 | 67.5 |
| 3 | 17.5 | 14 | 72.5 |
| 4 | 22.5 | 15 | 77.5 |
| 5 | 27.5 | 16 | 82.5 |
| 6 | 32.5 | 17 | 87.5 |
| 7 | 37.5 | 18 | 92.5 |
| 8 | 42.5 | 19 | 97.5 |
| 9 | 47.5 | 20 | 102.5 |
| 10 | 52.5 | 21 | 107.5 |
| 11 | 57.5 | 22 | 112.5 |
| 12 | 62.5 | 23 | 117.5 |
| | | 24 | 122.5 |

To convert to inches, divide by 25.4

Dimensions - mm (in)



Part Numbering System



EM2448 Series
Euro-Mag Terminal Blocks
 Two Tier; 5.08 Centers; Modular

SPECIFICATIONS

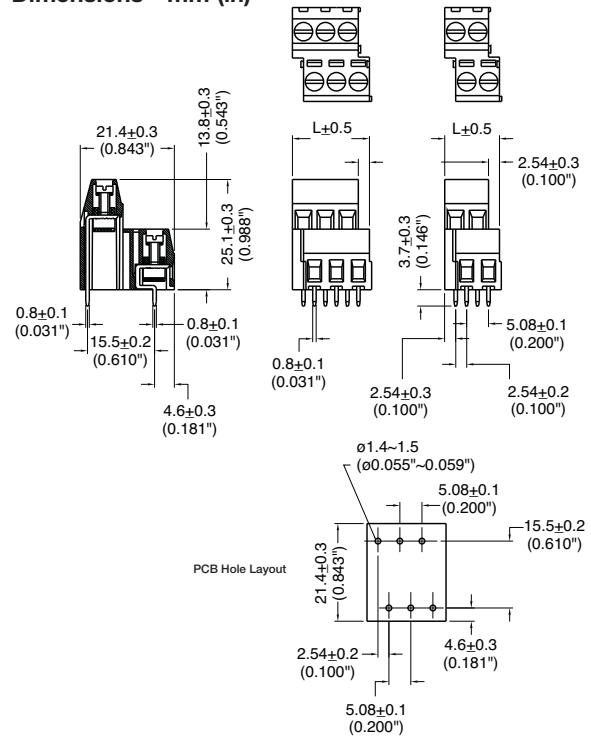
- Rating:** 16A, 300V
- Center Spacing:** 0.20" (5.08mm)
- Wire Range:** #14-24 AWG
- Housing Material:** UL rated 94V0 Thermoplastic
- Contact Material:** Brass Tin-Plated
- Cage Clamp:** Brass, Nickel-Plated
- Screw Size:** M2.6 Nickel-Plated Steel
- Operating Temperature:** 105°C (221°F) max., -40°C (-40°F) min.
- Torque Rating:** 4.5 lb-in.
- Recommended PCB Hole Diameters:** 0.055" (1.40mm)
- Construction:** Modular design features dovetails for interlocking to achieve longer lengths
- Agency Information:** cULus File E62622; CE Certified



| Poles | L (mm) | Poles | L (mm) |
|-------|--------|-------|--------|
| 2 | 10.16 | 14 | 71.12 |
| 3 | 15.24 | 15 | 76.20 |
| 4 | 20.32 | 16 | 81.28 |
| 5 | 25.40 | 17 | 86.36 |
| 6 | 30.48 | 18 | 91.44 |
| 7 | 35.56 | 19 | 96.52 |
| 8 | 40.64 | 20 | 101.60 |
| 9 | 45.72 | 21 | 106.68 |
| 10 | 50.80 | 22 | 111.76 |
| 11 | 55.88 | 23 | 116.84 |
| 12 | 60.96 | 24 | 121.92 |
| 13 | 66.04 | | |

To convert to inches, divide by 25.4

Dimensions - mm (in)



Part Numbering System



Terminal Blocks:
Single & Double Row

EuroMag Series

Terminal Blocks:
Base & Rail Mount

Power Distribution
Blocks

Wire Management
Products

Edge Connectors,
One-Sided Boards

Compliance
References

EM2855 Series Euro-Mag Terminal Blocks

Three Tier; 5.00 Centers

SPECIFICATIONS

Rating: 10A, 300V

Center Spacing: 0.197" (5.00mm)

Wire Range: #14-26 AWG

Housing Material: UL rated 94V0 Thermoplastic

Contact Material: Brass Tin-Plated

Cage Clamp: Brass Nickel-Plated

Screw Size: M26 Steel Chromatized

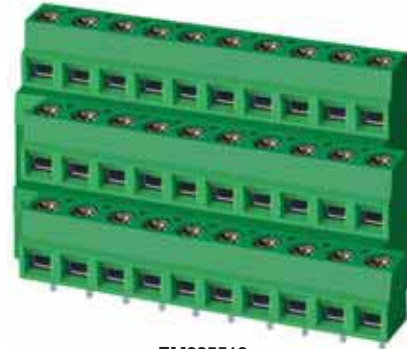
Operating Temperature: 105°C max., -55°C min.

Torque Rating: 4.5 lb-in

Recommended PCB Hole Diameters: 1.30mm (0.051")

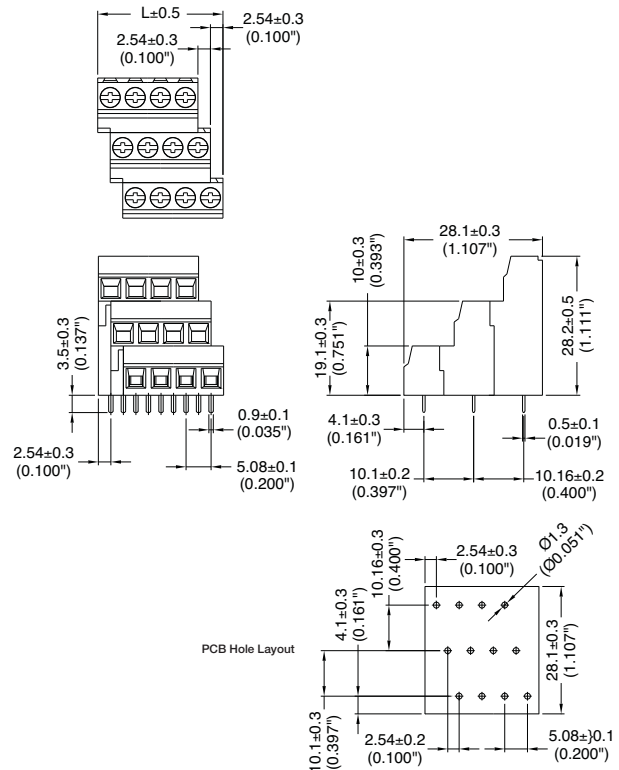
Construction: Mold-to-Length

Agency Information: File E62622; CE Certified



EM285510

Dimensions - mm (in)



| Poles | L (mm) |
|-------|--------|
| 2 | 12.5 |
| 3 | 17.5 |
| 4 | 22.5 |
| 5 | 27.5 |
| 6 | 32.5 |

To convert to inches, divide by 25.4

Part Numbering System

Series # of Poles

EM2855

02 to 06

Note: Longer positions, please consult factory.

Terminal Blocks:
Single & Double Row

EuroMag Series

Terminal Blocks:
Base & Rail Mount

Power Distribution
Blocks


Wire Management
Products

Edge Connectors,
One-Sided Boards

Compliance
References

EM2905 Series
Euro-Mag Terminal Blocks
 High Current; 5.00 Centers; Modular

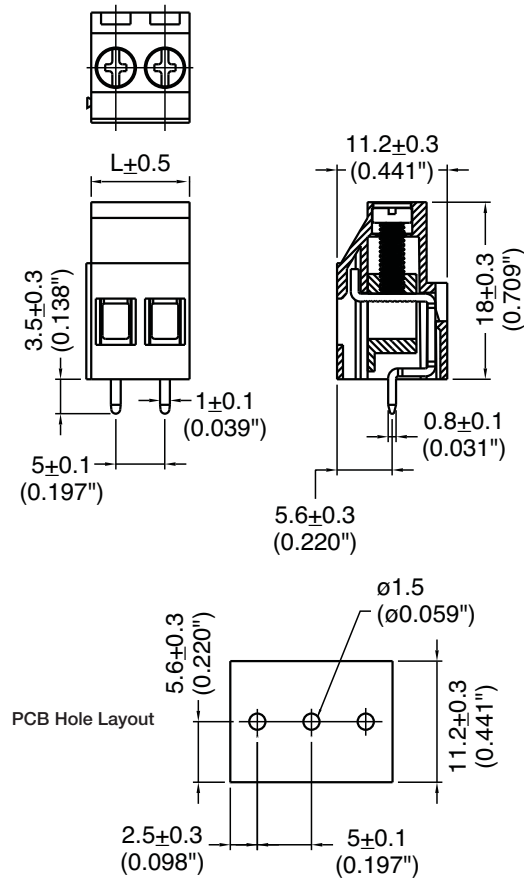
SPECIFICATIONS

- Rating:** 28A, 250V
- Center Spacing:** 0.197" (5.00mm)
- Wire Range:** #12-24 AWG
- Housing Material:** UL rated 94V0 Thermoplastic
- Contact Material:** Brass Tin-Plated
- Cage Clamp:** Brass, Nickel-Plated
- Screw Size:** M2.6 nickel-plated Steel
- Operating Temperature:** 105°C (221°F) max., -40°C (-40°F) min.
- Torque Rating:** 4.5 lb-in.
- Recommended PCB Hole Diameters:** 0.055" (1.40mm)
- Construction:** Modular design features dovetails for interlocking to achieve longer lengths
- Agency Information:**  File E62622; CE Certified



EM290508

Dimensions - mm (in)



| Poles | L (mm) | Poles | L (mm) |
|-------|--------|-------|--------|
| 2 | 10.0 | 14 | 70.0 |
| 3 | 15.0 | 15 | 75.0 |
| 4 | 20.0 | 16 | 80.0 |
| 5 | 25.0 | 17 | 85.0 |
| 6 | 30.0 | 18 | 90.0 |
| 7 | 35.0 | 19 | 95.0 |
| 8 | 40.0 | 20 | 100.0 |
| 9 | 45.0 | 21 | 105.0 |
| 10 | 50.0 | 22 | 110.0 |
| 11 | 55.0 | 23 | 115.0 |
| 12 | 60.0 | 24 | 120.0 |
| 13 | 65.0 | | |

To convert to inches, divide by 25.4

Part Numbering System



Terminal Blocks:
Single & Double Row

EuroMag Series

Terminal Blocks:
Base & Rail Mount

Power Distribution
Blocks

Wire Management
Products

Edge Connectors,
One-Sided Boards

Compliance
References

EM2908 Series

Euro-Mag Terminal Blocks

High Current; 5.08 Centers; Modular

SPECIFICATIONS

Rating: 28A, 250V

Center Spacing: 0.20" (5.08mm)

Wire Range: #12-24 AWG

Housing Material: UL rated 94V0 Thermoplastic

Contact Material: Brass Tin-Plated

Cage Clamp: Brass, Nickel-Plated

Screw Size: M2.6 Nickel-Plated Steel

Operating Temperature: 105°C (221°F) max., -40°C (-40°F) min.

Torque Rating: 4.5 lb-in.

Recommended PCB Hole Diameters: 0.055" (1.40mm)

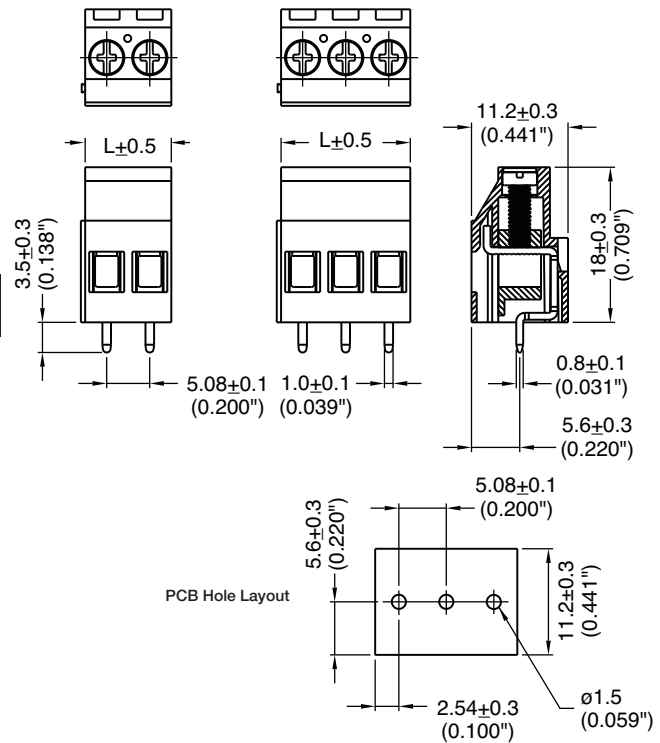
Construction: Modular design features dovetails for interlocking to achieve longer lengths

Agency Information: File E62622; CE Certified



EM290808

Dimensions - mm (in)



| Poles | L (mm) | Poles | L (mm) |
|-------|--------|-------|--------|
| 2 | 10.16 | 14 | 71.12 |
| 3 | 15.24 | 15 | 76.20 |
| 4 | 20.32 | 16 | 81.28 |
| 5 | 25.40 | 17 | 86.36 |
| 6 | 30.48 | 18 | 91.44 |
| 7 | 35.56 | 19 | 96.52 |
| 8 | 40.64 | 20 | 101.60 |
| 9 | 45.72 | 21 | 106.68 |
| 10 | 50.80 | 22 | 111.76 |
| 11 | 55.88 | 23 | 116.84 |
| 12 | 60.96 | 24 | 121.92 |
| 13 | 66.04 | | |

To convert to inches, divide by 25.4

Part Numbering System



Terminal Blocks:
Single & Double Row

EuroMag Series

Terminal Blocks:
Base & Rail Mount

Power Distribution
Blocks


Wire Management
Products

Edge Connectors,
One-Sided Boards

Compliance
References

EM9126 Series
Euro-Mag Terminal Blocks
 6.35 Centers; Modular

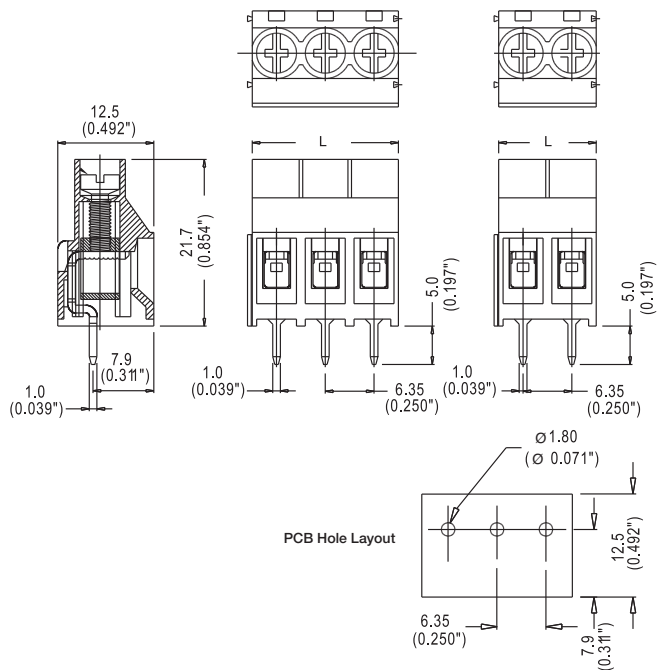
SPECIFICATIONS

- Rating:** 30A, 300V
- Center Spacing:** 0.250" (6.35mm)
- Wire Range:** #10-24 AWG
- Housing Material:** UL rated 94V0 Thermoplastic
- Contact Material:** Brass Tin-Plated
- Cage Clamp:** Brass, Nickel-Plated
- Screw Size:** M3.0 Steel Nickel-Plated
- Operating Temperature:** 105°C (221°F) max., -40°C (-40°F) min.
- Torque Rating:** 5.5 lb-in.
- Recommended PCB Hole Diameters:** 0.071" (1.80mm)
- Construction:** Modular design features dovetails for interlocking to achieve longer lengths
- Agency Information:**  File E62622; CE Certified



EM912605

Dimensions - mm (in)



| Poles | L (mm) | Poles | L (mm) |
|-------|--------|-------|--------|
| 2 | 12.70 | 14 | 88.90 |
| 3 | 19.05 | 15 | 95.25 |
| 4 | 25.40 | 16 | 101.60 |
| 5 | 31.75 | 17 | 107.95 |
| 6 | 38.10 | 18 | 114.30 |
| 7 | 44.45 | 19 | 120.65 |
| 8 | 50.80 | 20 | 127.00 |
| 9 | 57.15 | 21 | 133.35 |
| 10 | 63.50 | 22 | 139.70 |
| 11 | 69.85 | 23 | 146.05 |
| 12 | 76.20 | 24 | 152.40 |
| 13 | 82.55 | | |

To convert to inches, divide by 25.4

Part Numbering System



Terminal Blocks:
Single & Double Row

EuroMag Series

Terminal Blocks:
Base & Rail Mount

Power Distribution
Blocks

Wire Management
Products

Edge Connectors,
One-Sided Boards

Compliance
References

Terminal Blocks:
Single & Double Row

EuroMag Series

Terminal Blocks:
Base & Rail Mount

Power Distribution
Blocks

Wire Management
Products

Edge Connectors,
One-Sided Boards

Compliance
References

EM9127 Series
Euro-Mag Terminal Blocks
7.50 Centers; Modular

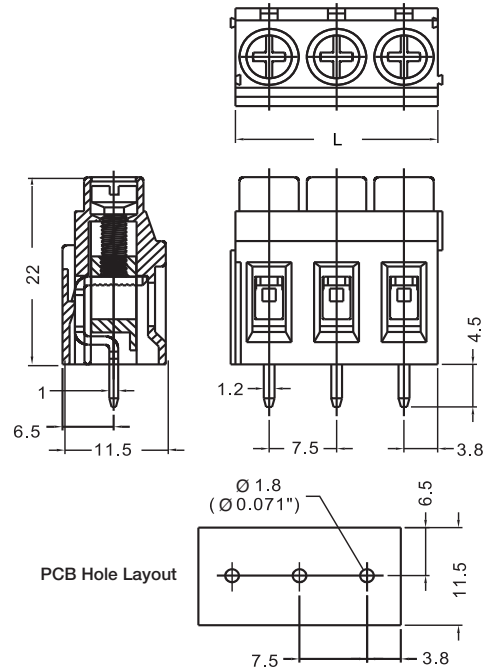
SPECIFICATIONS

- Rating:** 30A, 300V
- Center Spacing:** 0.29" (7.50mm)
- Wire Range:** #10-24 AWG
- Housing Material:** UL rated 94V0 Thermoplastic
- Contact Material:** Brass Tin-Plated
- Cage Clamp:** Brass, Nickel-Plated
- Screw Size:** M3.5 Steel Nickel-Plated
- Operating Temperature:** 105°C (221°F) max., -40°C (-40°F) min.
- Torque Rating:** 5.5 lb-in.
- Recommended PCB Hole Diameters:** 0.071" (1.80mm)
- Construction:** Modular design features dovetails for interlocking to achieve longer lengths
- Agency Information:** File E62622; CE Certified



EM912705

Dimensions - mm (in)



| Poles | L (mm) | Poles | L (mm) |
|-------|--------|-------|--------|
| 2 | 15.0 | 14 | 105.0 |
| 3 | 22.5 | 15 | 112.5 |
| 4 | 30.0 | 16 | 120.0 |
| 5 | 37.5 | 17 | 127.5 |
| 6 | 45.0 | 18 | 135.0 |
| 7 | 52.5 | 19 | 142.5 |
| 8 | 60.0 | 20 | 150.0 |
| 9 | 67.5 | 21 | 157.5 |
| 10 | 75.0 | 22 | 165.0 |
| 11 | 82.5 | 23 | 172.5 |
| 12 | 90.0 | 24 | 180.0 |
| 13 | 97.5 | | |

To convert to inches, divide by 25.4

Part Numbering System



EM9128 Series
Euro-Mag Terminal Blocks
 7.62 Centers; Modular

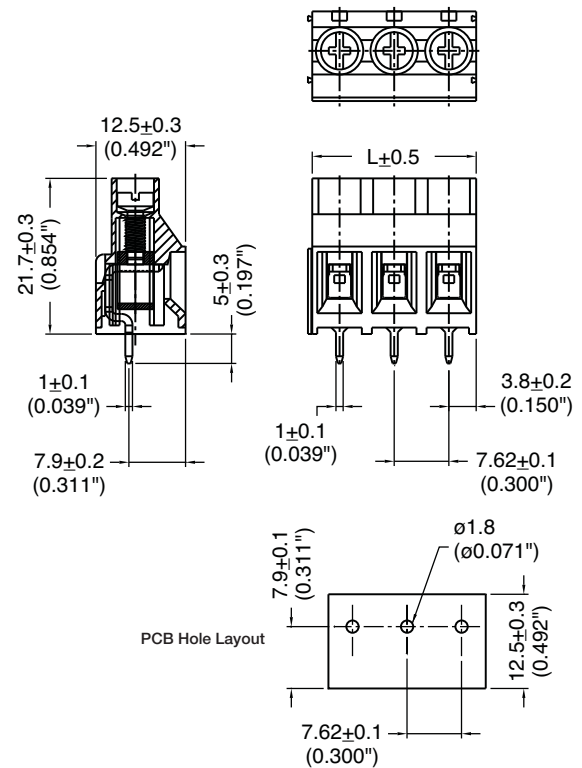
SPECIFICATIONS

- Rating:** 30A, 300V
- Center Spacing:** 0.30" (7.62mm)
- Wire Range:** #10-24 AWG
- Housing Material:** UL rated 94V0 Thermoplastic
- Contact Material:** Brass Tin-Plated
- Cage Clamp:** Brass, Nickel-Plated
- Screw Size:** M3.0 Steel Nickel-Plated
- Operating Temperature:** 105°C (221°F) max., -40°C (-40°F) min.
- Torque Rating:** 5.5 lb-in.
- Recommended PCB Hole Diameters:** 0.071" (1.80mm)
- Construction:** Modular design features dovetails for interlocking to achieve longer lengths
- Agency Information:** US File E62622; CE Certified



EM912805

Dimensions - mm (in)



| Poles | L (mm) | Poles | L (mm) |
|-------|--------|-------|--------|
| 2 | 15.24 | 14 | 106.68 |
| 3 | 22.86 | 15 | 114.30 |
| 4 | 30.48 | 16 | 121.92 |
| 5 | 38.10 | 17 | 129.54 |
| 6 | 45.72 | 18 | 137.16 |
| 7 | 53.34 | 19 | 144.78 |
| 8 | 60.96 | 20 | 152.40 |
| 9 | 68.58 | 21 | 160.02 |
| 10 | 76.20 | 22 | 167.64 |
| 11 | 83.82 | 23 | 175.26 |
| 12 | 91.44 | 24 | 182.88 |
| 13 | 99.06 | | |

To convert to inches, divide by 25.4

Part Numbering System



Terminal Blocks:
Single & Double Row

EuroMag Series

Terminal Blocks:
Base & Rail Mount

Power Distribution
Blocks

Wire Management
Products

Edge Connectors,
One-Sided Boards

Compliance
References

EM2909 Series
Euro-Mag Terminal Blocks
 35° Angle; 9.52 Centers; Modular

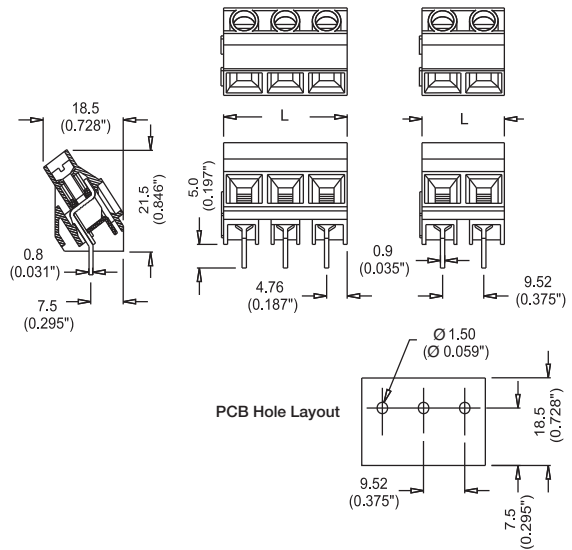
SPECIFICATIONS

- Rating:** 30A, 600V
- Center Spacing:** 0.375" (9.52mm)
- Wire Range:** #10-20 AWG
- Housing Material:** UL rated 94V0 Thermoplastic
- Contact Material:** Brass Tin-Plated
- Cage Clamp:** Steel, Nickel-Plated
- Screw Size:** M3.0 Nickel-Plated Steel
- Operating Temperature:** 105°C (221°F) max., -40°C (-40°F) min.
- Torque Rating:** 5.5 lb-in.
- Recommended PCB Hole Diameters:** 0.055" (1.40mm)
- Construction:** Modular design features dovetails for interlocking to achieve longer lengths
- Agency Information:** US File E62622; CE Certified



EM290905

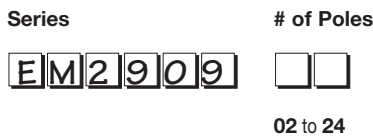
Dimensions - mm (in)



| Poles | L (mm) | Poles | L (mm) |
|-------|--------|-------|--------|
| 2 | 19.04 | 14 | 133.28 |
| 3 | 28.56 | 15 | 142.80 |
| 4 | 38.08 | 16 | 152.32 |
| 5 | 47.60 | 17 | 161.84 |
| 6 | 57.12 | 18 | 171.36 |
| 7 | 66.64 | 19 | 180.88 |
| 8 | 76.16 | 20 | 190.40 |
| 9 | 85.68 | 21 | 199.92 |
| 10 | 95.20 | 22 | 209.44 |
| 11 | 104.72 | 23 | 218.96 |
| 12 | 114.24 | 24 | 228.48 |
| 13 | 123.76 | | |

To convert to inches, divide by 25.4

Part Numbering System



EM2919 Series
Euro-Mag Terminal Blocks
 9.52 Centers; Modular

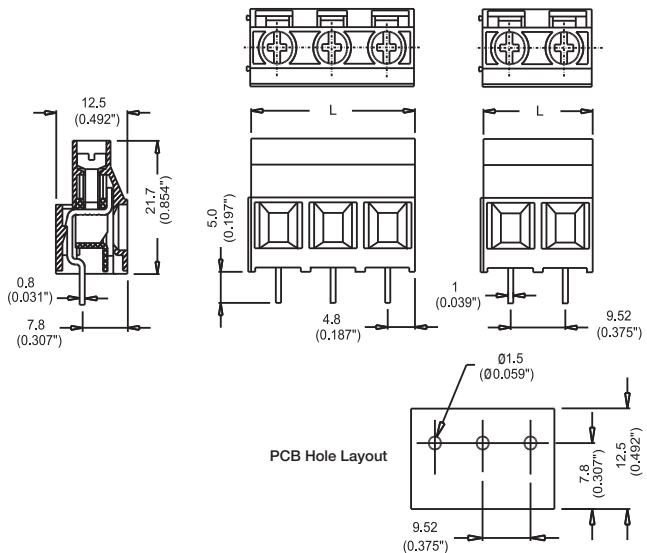
SPECIFICATIONS

- Rating:** 30A, 600V
- Center Spacing:** 0.375" (9.52mm)
- Wire Range:** #10-20 AWG
- Housing Material:** UL rated 94V0 Thermoplastic
- Contact Material:** Brass Tin-Plated
- Cage Clamp:** Steel, Nickel-Plated
- Screw Size:** M3.0 Nickel-Plated Steel
- Operating Temperature:** 105°C (221°F) max., -40°C (-40°F) min.
- Torque Rating:** 5.5 lb-in.
- Recommended PCB Hole Diameters:** 0.055" (1.40mm)
- Construction:** Modular design features dovetails for interlocking to achieve longer lengths
- Agency Information:** US File E62622; CE Certified



EM291905

Dimensions - mm (in)



| Poles | L (mm) | Poles | L (mm) |
|-------|--------|-------|--------|
| 2 | 19.04 | 14 | 133.28 |
| 3 | 28.56 | 15 | 142.80 |
| 4 | 38.08 | 16 | 152.32 |
| 5 | 47.60 | 17 | 161.84 |
| 6 | 57.12 | 18 | 171.36 |
| 7 | 66.64 | 19 | 180.88 |
| 8 | 76.16 | 20 | 190.40 |
| 9 | 85.68 | 21 | 199.92 |
| 10 | 95.20 | 22 | 209.44 |
| 11 | 104.72 | 23 | 218.96 |
| 12 | 114.24 | 24 | 228.48 |
| 13 | 123.76 | | |

To convert to inches, divide by 25.4

Part Numbering System



- Terminal Blocks: Single & Double Row
- EuroMag Series
- Terminal Blocks: Base & Rail Mount
- Power Distribution Blocks
- Wire Management Products
- Edge Connectors, One-Sided Boards
- Compliance References

EM2929 Series
Euro-Mag Terminal Blocks
 Hi-Current; 10.16 Centers

SPECIFICATIONS

- Rating:** 65A, 600V
- Center Spacing:** 0.40" (10.16mm)
- Wire Range:** #6-20 AWG
- Housing Material:** UL rated 94V0 Thermoplastic
- Contact Material:** Tin-Plated Copper
- Cage Clamp:** Steel, Chromate Plated
- Screw Size:** M4 Stainless Steel
- Operating Temperature:** 105°C (221°F) max., -40°C (-40°F) min.
- Torque Rating:** 15 lb-in.
- Recommended PCB Hole Diameters:** 0.055" (1.40mm)
- Construction:** Mold to length
- Agency Information:** cULus File E62622; CE Certified

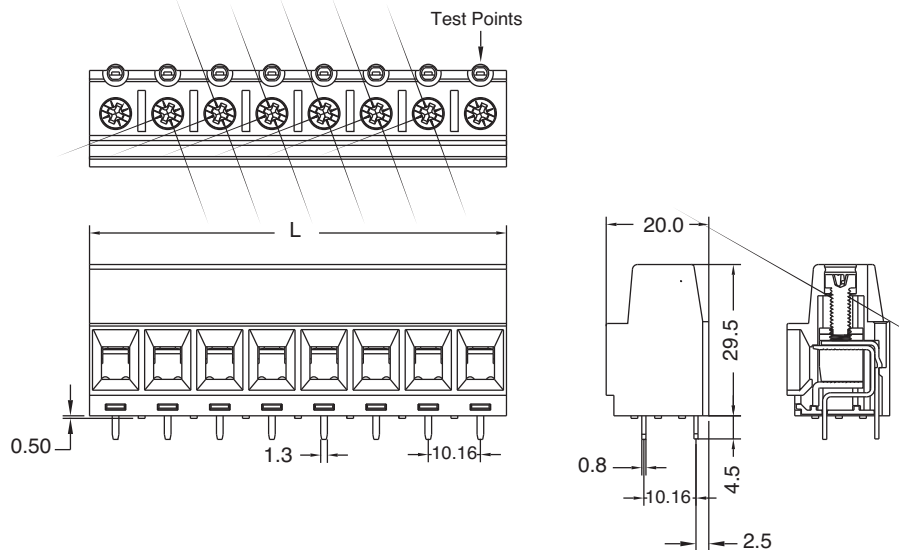


EM292908

Dimensions - mm (in)

| Poles | L (mm) |
|-------|--------|
| 2 | 20.34 |
| 3 | 30.50 |
| 4 | 40.66 |
| 5 | 50.82 |
| 6 | 60.98 |
| 7 | 71.14 |
| 8 | 81.30 |

To convert to inches, divide by 25.4



Part Numbering System



Terminal Blocks: Single & Double Row

EuroMag Series

Terminal Blocks: Base & Rail Mount

Power Distribution Blocks

Wire Management Products

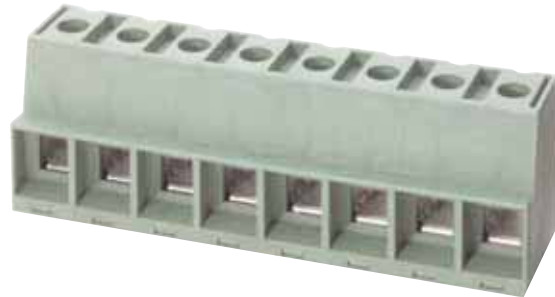
Edge Connectors, One-Sided Boards

Compliance References

EM2939 Series
Euro-Mag Terminal Blocks
 Hi-Current, 15.00 Centers

SPECIFICATIONS

- Rating:** 115A, 600V with No Bottom Cover (NC) Option.
- Center Spacing:** 0.591" (15.00mm)
- Wire Range:** #2-20 AWG
- Housing Material:** UL rated 94V0 Thermoplastic
- Contact Material:** Tin-Plated Copper
- Cage Clamp:** Steel, Chromate-Plated
- Screw Size:** M5 Stainless Steel
- Operating Temperature:** 105°C (221°F) max., -40°C (-40°F) min.
- Torque Rating:** 15 lb-in.
- Recommended PCB Hole Diameters:** 0.063" (1.60mm)
- Construction:** Mold to length
- Agency Information:** US File E62622; CE Certified

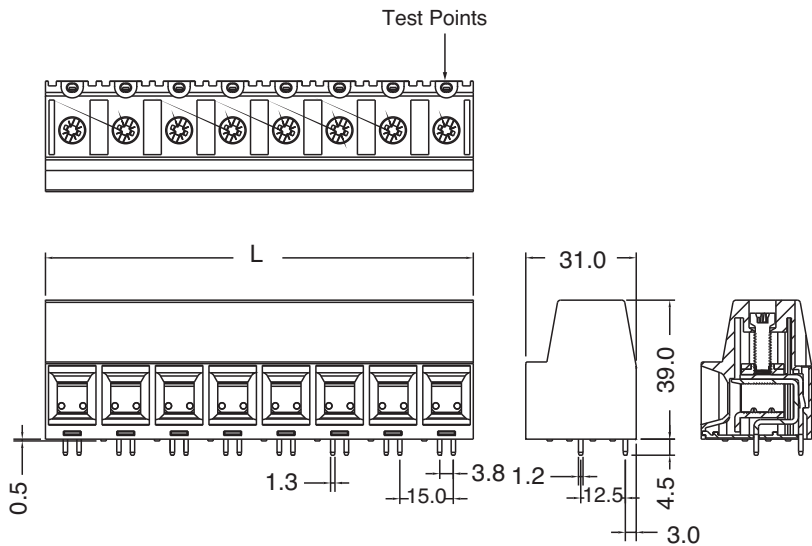


EM293908

| Poles | L (mm) |
|-------|--------|
| 2 | 30.0 |
| 3 | 45.0 |
| 4 | 60.0 |
| 5 | 75.0 |
| 6 | 90.0 |
| 7 | 105.0 |
| 8 | 120.0 |

To convert to inches, divide by 25.4

Dimensions - mm (in)



Part Numbering System

| | | |
|---------------|---|---|
| Series | # of Poles | Bottom Cover Option |
| EM2939 | <input type="checkbox"/> <input type="checkbox"/> | (<input type="checkbox"/> <input type="checkbox"/>) |
| | 02 to 08 | N C |
| | | *NC = No Bottom Cover |

Terminal Blocks:
Single & Double Row

EuroMag Series

Terminal Blocks:
Base & Rail Mount

Power Distribution
Blocks

Wire Management
Products

Edge Connectors,
One-Sided Boards

Compliance
References

EM3905 Series

Euro-Mag Terminal Blocks

High Current; Two Tier; 5.00 Centers; Modular

SPECIFICATIONS

Rating: 28A, 250V

Center Spacing: 0.197" (5.00mm)

Wire Range: #12-24 AWG

Housing Material: UL rated 94V0 Thermoplastic

Contact Material: Tin-Plated Brass

Cage Clamp: Brass, Nickel-Plated

Screw Size: M2.6 Nickel-Plated Steel

Operating Temperature: 105°C (221°F) max., -40°C (-40°F) min.

Torque Rating: 4.5 lb-in.

Recommended PCB Hole Diameters: 0.055" (1.40mm)

Construction: Modular design features dovetails for interlocking to achieve longer lengths

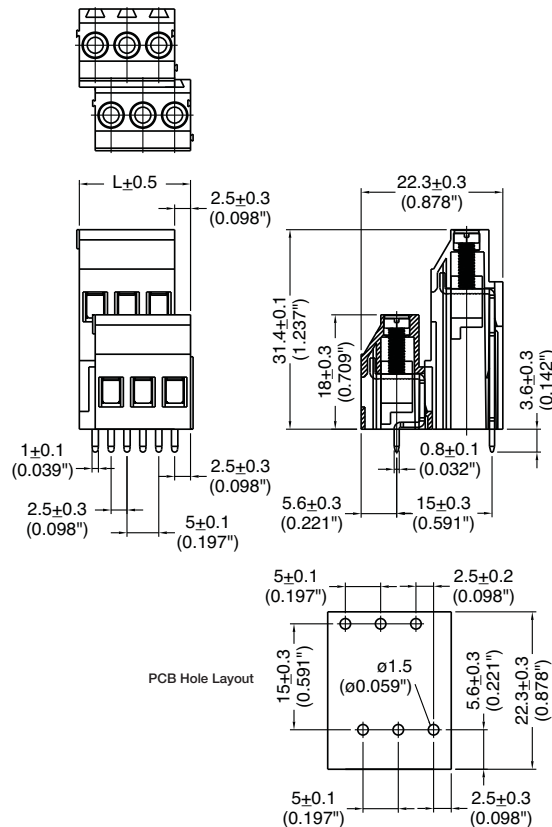
Agency Information: File E62622; CE Certified



EM390508

EM390504

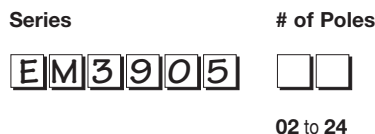
Dimensions - mm (in)



| Poles | L (mm) | Poles | L (mm) |
|-------|--------|-------|--------|
| 2 | 12.5 | 14 | 72.5 |
| 3 | 17.5 | 15 | 77.5 |
| 4 | 22.5 | 16 | 82.5 |
| 5 | 27.5 | 17 | 87.5 |
| 6 | 32.5 | 18 | 92.5 |
| 7 | 37.5 | 19 | 97.5 |
| 8 | 42.5 | 20 | 102.5 |
| 9 | 47.5 | 21 | 107.5 |
| 10 | 52.5 | 22 | 112.4 |
| 11 | 57.5 | 23 | 117.5 |
| 12 | 62.5 | 24 | 122.5 |
| 13 | 67.5 | | |

To convert to inches, divide by 25.4

Part Numbering System



Terminal Blocks: Single & Double Row

EuroMag Series

Terminal Blocks: Base & Rail Mount

Power Distribution Blocks

Wire Management Products

Edge Connectors, One-Sided Boards

Compliance References

EM3908 Series

Euro-Mag Terminal Blocks

High Current; Two-Tier; 5.08 Centers; Modular

SPECIFICATIONS

Rating: 28A, 250V

Center Spacing: 0.20" (5.08mm)

Wire Range: #12-24 AWG

Housing Material: UL rated 94V0 Thermoplastic

Contact Material: Brass Tin-Plated

Cage Clamp: Brass, Nickel-Plated

Screw Size: M2.6 Nickel-Plated Steel

Operating Temperature: 105°C (221°F) max., -40°C (-40°F) min.

Torque Rating: 4.5 lb-in.

Recommended PCB Hole Diameters: 0.055" (1.40mm)

Construction: Modular design features dovetails for interlocking to achieve longer lengths

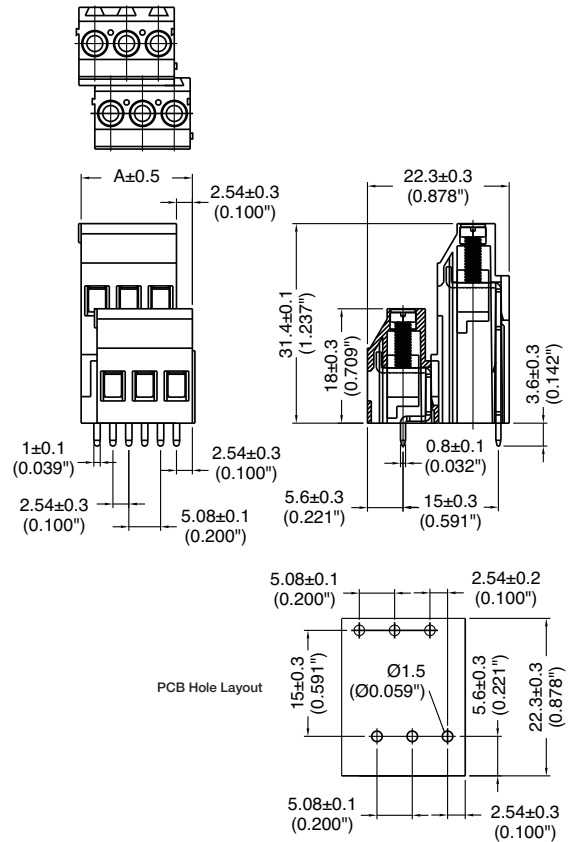
Agency Information:  File E62622; CE Certified



EM390808

EM390804

Dimensions - mm (in)



| Poles | L (mm) | Poles | L (mm) |
|-------|--------|-------|--------|
| 2 | 10.16 | 14 | 71.12 |
| 3 | 15.24 | 15 | 76.20 |
| 4 | 20.32 | 16 | 81.28 |
| 5 | 25.40 | 17 | 86.36 |
| 6 | 30.48 | 18 | 91.44 |
| 7 | 35.56 | 19 | 96.52 |
| 8 | 40.64 | 20 | 101.60 |
| 9 | 45.72 | 21 | 106.68 |
| 10 | 50.80 | 22 | 111.76 |
| 11 | 55.88 | 23 | 116.84 |
| 12 | 60.96 | 24 | 121.92 |
| 13 | 66.04 | | |

To convert to inches, divide by 25.4

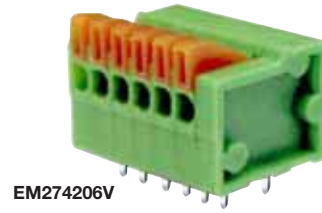
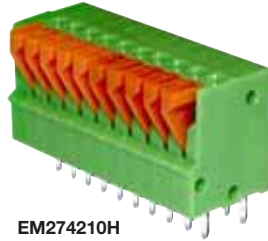
Part Numbering System

| | |
|---------------|---|
| Series | # of Poles |
| EM3908 | <input type="text"/> <input type="text"/> |
| | 02 to 24 |

EM2742 Series
Euro-Mag Terminal Blocks
 Screwless; 2.54 Centers

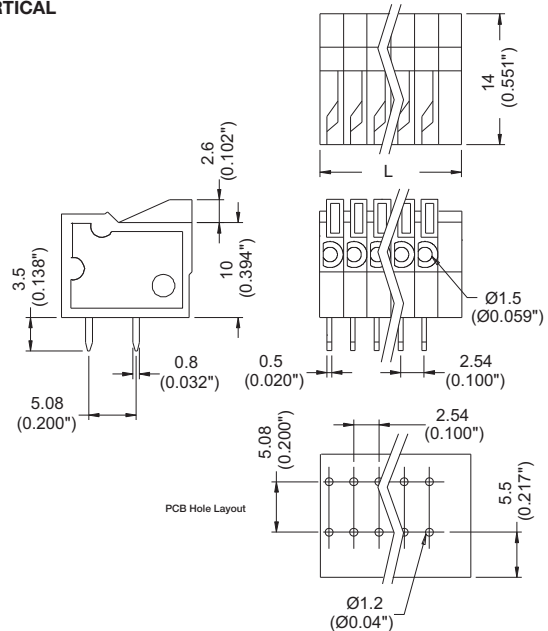
SPECIFICATIONS

- Rating: 6A, 63V
- Center Spacing: 0.10" (25.4mm)
- Wire Range: #20-26 AWG
- Housing Material: UL rated 94V0 Thermoplastic
- Contact Material: Tin-Plated Brass
- Spring Material: Stainless Steel
- Operating Temperature: 105°C (221°F) max., -40°C (-40°F) min.
- Recommended PCB Hole Diameters: 0.051" (1.30mm)
- Construction: Mold-to-Length
- Agency Information: File E62622; CE Certified

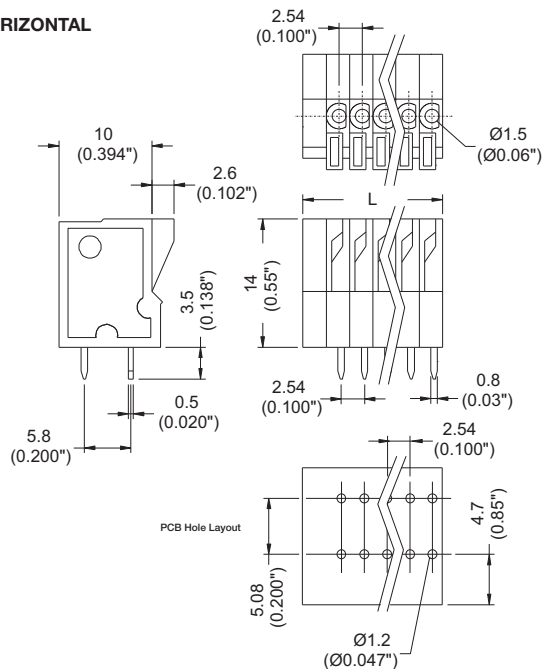


Dimensions - mm (in)

VERTICAL



HORIZONTAL



| Poles | L (mm) | Poles | L (mm) |
|-------|--------|-------|--------|
| 2 | 8.08 | 10 | 30.94 |
| 3 | 10.62 | 11 | 33.48 |
| 4 | 13.16 | 12 | 36.02 |
| 5 | 15.70 | 13 | 38.56 |
| 6 | 18.24 | 14 | 41.10 |
| 7 | 33.48 | 15 | 43.64 |
| 8 | 30.94 | 16 | 46.18 |
| 9 | 28.40 | | |

To convert to inches, divide by 25.4

Part Numbering System

| Series | # of Poles | Orientation |
|---------------|--------------------------|--------------------------------|
| EM2742 | <input type="checkbox"/> | <input type="checkbox"/> |
| | 02 to 16 | H - horizontal V - vertical |

Terminal Blocks: Single & Double Row
 EuroMag Series
 Terminal Blocks: Base & Rail Mount
 Power Distribution Blocks
 Wire Management Products
 Edge Connectors, One-Sided Boards
 Compliance References

EM2783 Series
Euro-Mag Terminal Blocks

45° Entry; Screwless; 3.50 Centers

SPECIFICATIONS

Rating: 2A, 300V

Center Spacing: 0.136" (3.50mm)

Wire Range: #16-20 AWG

Housing Material: UL rated 94V0 Thermoplastic

Contact Material: Tin Plated Phos Bronze

Operating Temperature: 105°C (221°F) max., -40°C (-40°F) min.

Recommended PCB Hole Diameters: 0.051" (1.30mm)

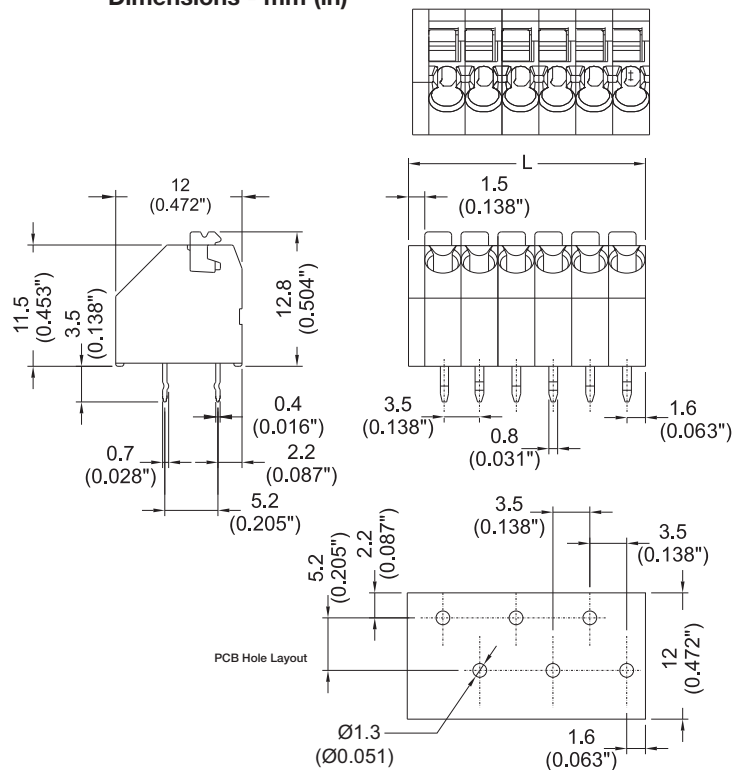
Construction: Mold-to-Length

Agency Information:  US File E62622; CE Certified



EM278305

Dimensions - mm (in)



| Poles | L (mm) |
|-------|--------|
| 2 | 8.5 |
| 4 | 15.5 |
| 6 | 22.5 |
| 8 | 29.5 |
| 10 | 36.5 |
| 12 | 43.5 |
| 14 | 50.5 |
| 16 | 57.5 |
| 18 | 64.5 |
| 20 | 71.5 |
| 22 | 78.5 |
| 24 | 92.5 |

To convert to inches, divide by 25.4

Part Numbering System

Series # of Poles

EM2783

 02 to 24

- Terminal Blocks:
Single & Double Row
- EuroMag Series
- Terminal Blocks:
Base & Rail Mount
- Power Distribution
Blocks
- Wire Management
Products
- Edge Connectors,
One-Sided Boards
- Compliance
References

EM2802 Series

Euro-Mag Terminal Blocks

30° Entry; Screwless; 2.54 Centers

SPECIFICATIONS

Rating: 4A, 125V

Center Spacing: 0.10" (2.54mm)

Wire Range: #20-24 AWG

Housing Material: Gray Polyamide Type 6/6, 94V0

Contact Material: Tin-Plated Brass

Spring Material: Stainless Steel

Operating Temperature: 105°C (221°F) max., -40°C (-40°F) min.

Recommended PCB Hole Diameters: 0.051" (1.30mm)

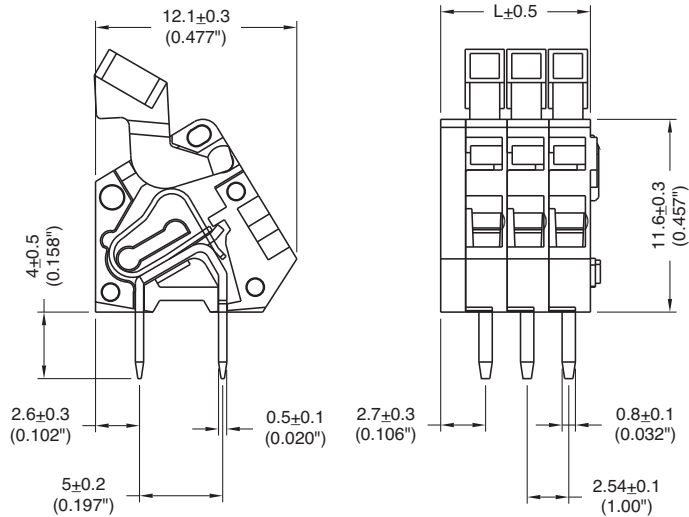
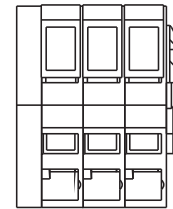
Construction: Mold-to-Length

Agency Information: File E62622; CE Certified



EM280207

Dimensions - mm (in)



| Poles | L (mm) |
|-------|--------|
| 2 | 7.08 |
| 3 | 9.62 |
| 4 | 12.16 |
| 5 | 14.70 |
| 6 | 17.24 |
| 7 | 19.78 |
| 8 | 22.32 |
| 9 | 24.86 |
| 10 | 27.40 |
| 11 | 29.94 |
| 12 | 32.48 |

To convert to inches, divide by 25.4

Part Numbering System

| | |
|--------|---|
| Series | # of Poles |
| EM2802 | <input type="checkbox"/> <input type="checkbox"/> |
| | 02 to 12 |

Terminal Blocks:
Single & Double Row

EuroMag Series

Terminal Blocks:
Base & Rail Mount

Power Distribution
Blocks

Wire Management
Products

Edge Connectors,
One-Sided Boards

Compliance
References

**EM2785 Series
Euro-Mag Terminal Blocks**

45° Entry; Screwless; Modular; 5.00 Centers

SPECIFICATIONS

Rating: 7A, 300V

Center Spacing: 0.197" (5.00mm)

Wire Range: #16-22 AWG

Housing Material: UL rated 94V0 Thermoplastic

Contact Material: Tin-Plated Brass

Spring Material: Stainless Steel

Operating Temperature: 105°C (221°F) max., -40°C (-40°F) min.

Recommended PCB Hole Diameters: 0.051" (1.30mm)

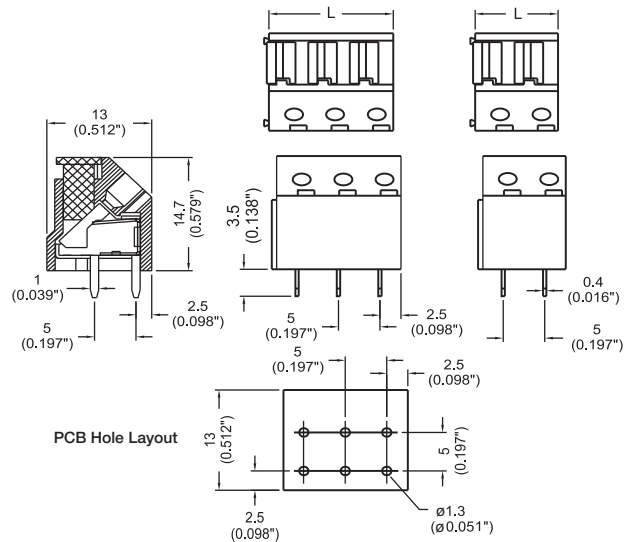
Construction: Modular design features dovetails for interlocking to achieve longer lengths

Agency Information: cULus File E62622; CE Certified



EM278505

Dimensions - mm (in)



| Poles | L (mm) | Poles | L (mm) |
|-------|--------|-------|--------|
| 2 | 10.0 | 14 | 70.0 |
| 3 | 15.0 | 15 | 75.0 |
| 4 | 20.0 | 16 | 80.0 |
| 5 | 25.0 | 17 | 85.0 |
| 6 | 30.0 | 18 | 90.0 |
| 7 | 35.0 | 19 | 95.0 |
| 8 | 40.0 | 20 | 100.0 |
| 9 | 45.0 | 21 | 105.0 |
| 10 | 50.0 | 22 | 110.0 |
| 11 | 55.0 | 23 | 115.0 |
| 12 | 60.0 | 24 | 120.0 |
| 13 | 65.0 | | |

To convert to inches, divide by 25.4

Part Numbering System



Terminal Blocks:
Single & Double Row

EuroMag Series

Terminal Blocks:
Base & Rail Mount

Power Distribution
Blocks

Wire Management
Products

Edge Connectors,
One-Sided Boards

Compliance
References

EM2778 Series
Euro-Mag Terminal Blocks
 Screwless, Modular, 5.08 Centers

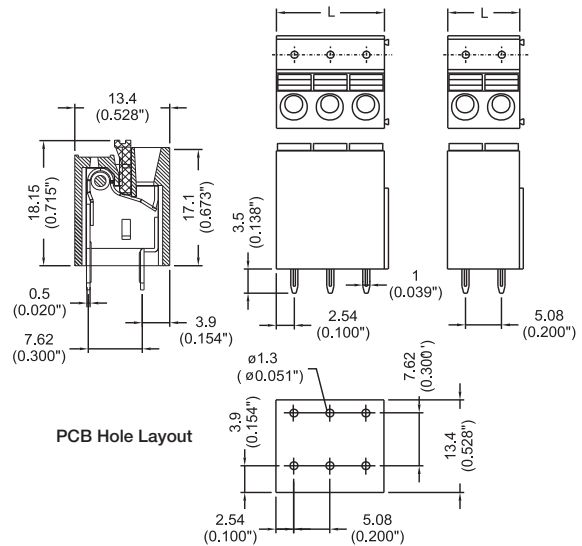
SPECIFICATIONS

- Rating:** 10A, 250V
- Center Spacing:** 0.20" (5.08mm)
- Wire Size:** #14-24 AWG
- Housing Material:** UL rated 94V0 Thermoplastic
- Contact Material:** Tin-Plated Brass
- Operating Temperature:** 105°C (221°F) max., -40°C (-40°F) min.
- Recommended PCB Hole Diameters:** 0.051" (1.30mm)
- Construction:** Modular design features dovetails for interlocking to achieve longer lengths
- Agency Information:** cULus File E62622; CE Certified



EM277805

Dimensions - mm (in)



| Poles | L (mm) | Poles | L (mm) |
|-------|--------|-------|--------|
| 2 | 10.16 | 14 | 71.12 |
| 3 | 15.24 | 15 | 76.20 |
| 4 | 20.32 | 16 | 81.28 |
| 5 | 25.40 | 17 | 86.36 |
| 6 | 30.48 | 18 | 91.44 |
| 7 | 35.56 | 19 | 96.52 |
| 8 | 40.64 | 20 | 101.16 |
| 9 | 45.72 | 21 | 106.68 |
| 10 | 50.80 | 22 | 111.76 |
| 11 | 55.88 | 23 | 116.84 |
| 12 | 60.96 | 24 | 121.92 |
| 13 | 66.04 | | |

To convert to inches, divide by 25.4

Part Numbering System



Terminal Blocks:
Single & Double Row

EuroMag Series

Terminal Blocks:
Base & Rail Mount

Power Distribution
Blocks


Wire Management
Products

Edge Connectors,
One-Sided Boards

Compliance
References

EM2795 Series
Euro-Mag Terminal Blocks
 Screwless; 5.08 Centers

SPECIFICATIONS

Rating: 10A, 300V
 Center Spacing: 0.20" (5.08mm)
 Wire Range: #14-24 AWG
 Housing Material: UL rated 94V0 Thermoplastic
 Contact Material: Tin-Plated Brass
 Operating Temperature: 105°C (221°F) max., -40°C (-40°F) min.
 Recommended PCB Hole Diameters: 0.051" (1.30mm)
 Construction: Mold-to-Length
 Agency Information:  File E62622; CE Certified

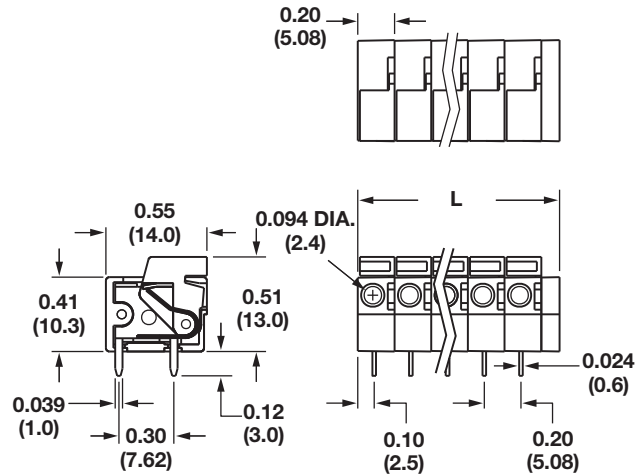


| Poles | L (mm) | Poles | L (mm) |
|-------|--------|-------|--------|
| 2 | 12.70 | 10 | 68.58 |
| 3 | 17.78 | 11 | 73.66 |
| 4 | 22.86 | 12 | 78.74 |
| 5 | 27.94 | 13 | 83.82 |
| 6 | 33.02 | 14 | 88.90 |
| 7 | 38.10 | 15 | 93.98 |
| 8 | 43.18 | 16 | 99.06 |
| 9 | 48.26 | | |

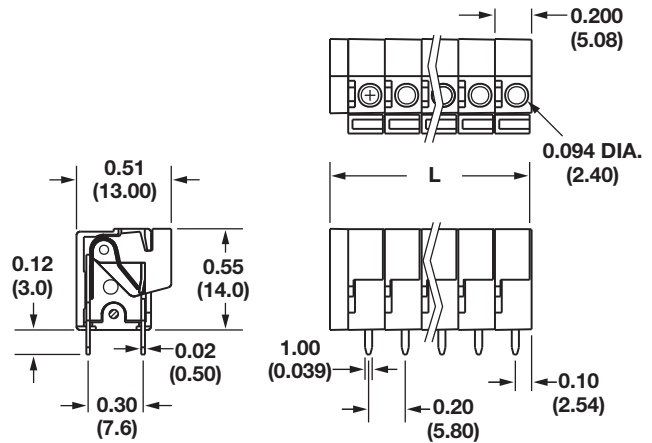
To convert to inches, divide by 25.4

Dimensions - mm (in)

VERTICAL



HORIZONTAL



Part Numbering System

| Series | # of Positions | Orientation |
|---------------|---|--------------------------------|
| EM2795 | <input type="checkbox"/> <input type="checkbox"/> | <input type="checkbox"/> |
| | 02 to 16 | H - horizontal V - vertical |

Terminal Blocks:
Single & Double Row

EuroMag Series

Terminal Blocks:
Base & Rail Mount

Power Distribution
Blocks

Wire Management
Products

Edge Connectors,
One-Sided Boards

Compliance
References

EM2796 Series
Euro-Mag Terminal Blocks
 Screwless; 7.62 Centers

SPECIFICATIONS

- Rating: 10A, 300V
- Center Spacing: 0.30" (7.62mm)
- Wire Range: #14-24 AWG
- Housing Material: UL rated 94V0 Thermoplastic
- Contact Material: Tin-Plated Brass
- Operating Temperature: 105°C (221°F) max., -40°C (-40°F) min.
- Recommended PCB Hole Diameters: 0.051" (1.30mm)
- Construction: Mold-to-Length
- Agency Information: File E62622; CE Certified



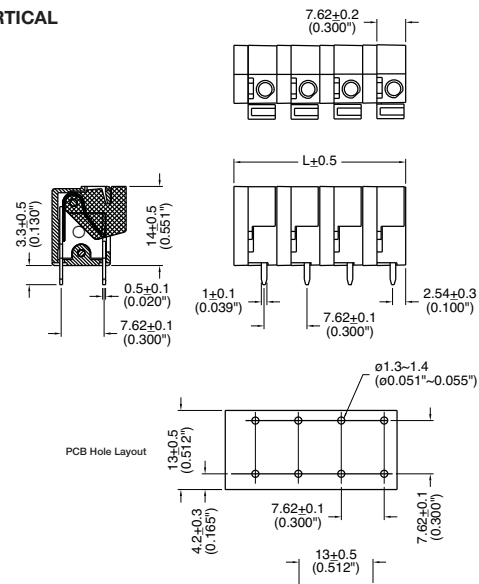
EM279606V



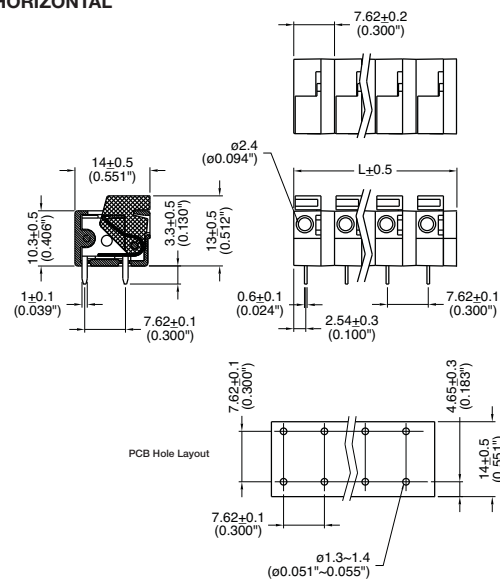
EM279603H

Dimensions - mm (in)

VERTICAL



HORIZONTAL



| Poles | L (mm) | Poles | L (mm) |
|-------|--------|-------|--------|
| 2 | 15.24 | 10 | 76.20 |
| 3 | 22.56 | 11 | 83.82 |
| 4 | 30.48 | 12 | 91.44 |
| 5 | 37.19 | 13 | 99.07 |
| 6 | 45.72 | 14 | 106.69 |
| 7 | 53.34 | 15 | 114.31 |
| 8 | 60.96 | 16 | 121.93 |
| 9 | 68.58 | | |

To convert to inches, divide by 25.4

Part Numbering System

| | | |
|---------------|---|--------------------------------|
| Series | # of Poles | Orientation |
| EM2796 | <input type="checkbox"/> <input type="checkbox"/> | <input type="checkbox"/> |
| | 02 to 16 | H - horizontal V - vertical |

Terminal Blocks: Single & Double Row

EuroMag Series

Terminal Blocks: Base & Rail Mount

Power Distribution Blocks


Wire Management Products

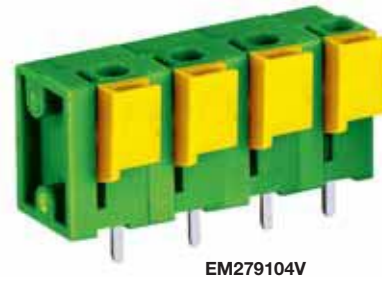
Edge Connectors, One-Sided Boards

Compliance References

EM2791 Series
Euro-Mag Terminal Blocks
 Screwless; 10.16 Centers

SPECIFICATIONS

- Rating:** 10A, 300V
- Center Spacing:** 0.40" (10.16mm)
- Wire Range:** #14-24 AWG
- Housing Material:** UL rated 94V0 Thermoplastic
- Contact Material:** Tin-Plated Brass
- Operating Temperature:** 105°C (221°F) max., -40°C (-40°F) min.
- Recommended PCB Hole Diameters:** 0.051" (1.30mm)
- Construction:** Mold-to-Length
- Agency Information:**  US File E62622; CE Certified

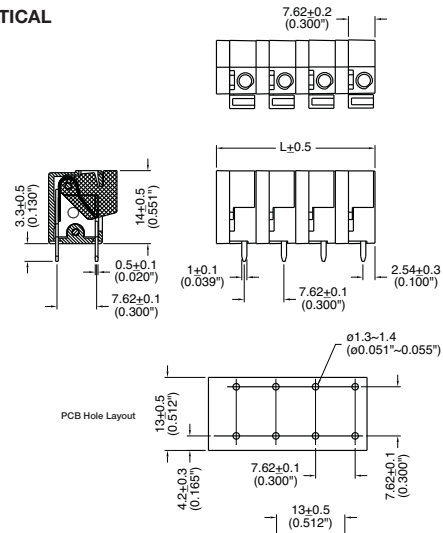


| Poles | L (mm) | Poles | L (mm) |
|-------|--------|-------|--------|
| 2 | 17.78 | 10 | 99.06 |
| 3 | 27.94 | 11 | 109.22 |
| 4 | 38.10 | 12 | 119.38 |
| 5 | 48.26 | 13 | 129.54 |
| 6 | 58.42 | 14 | 139.70 |
| 7 | 68.58 | 15 | 149.86 |
| 8 | 78.74 | 16 | 160.02 |
| 9 | 88.90 | | |

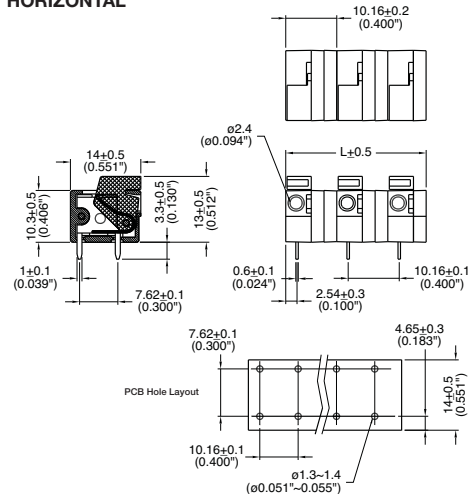
To convert to inches, divide by 25.4

Dimensions - mm (in)

VERTICAL



HORIZONTAL



Part Numbering System

| Series | # of Poles | Orientation |
|--------|---|--------------------------------|
| EM2791 | <input type="checkbox"/> <input type="checkbox"/> | <input type="checkbox"/> |
| | 02 to 16 | H - horizontal V - vertical |

Terminal Blocks:
Single & Double Row

EuroMag Series

Terminal Blocks:
Base & Rail Mount

Power Distribution
Blocks

Wire Management
Products

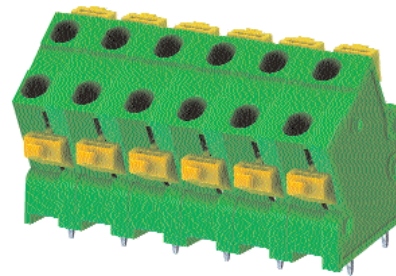
Edge Connectors,
One-Sided Boards

Compliance
References

EM2816 Series
Euro-Mag Terminal Blocks
 60° Entry; Screwless; 7.62 Centers

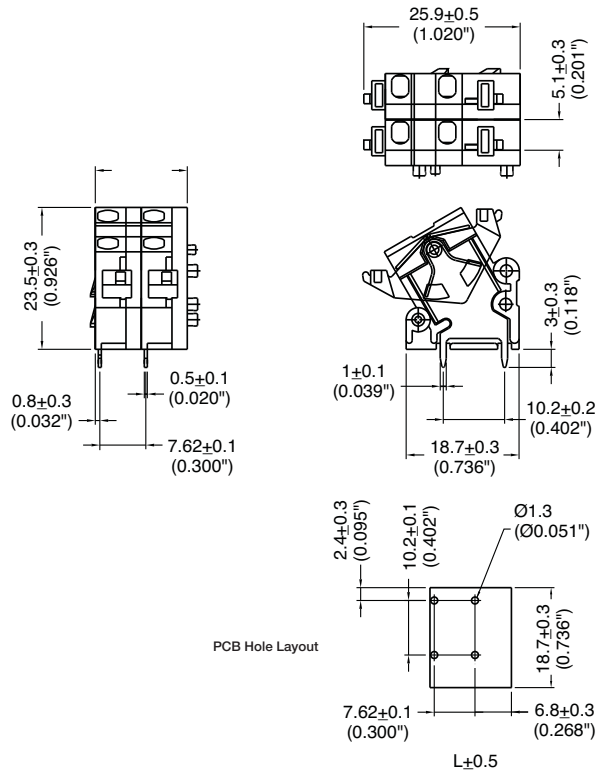
SPECIFICATIONS

- Rating:** 10A, 300V
- Center Spacing:** 0.30" (7.62mm)
- Wire Range:** #16-22 AWG
- Housing Material:** UL rated 94V0 Thermoplastic
- Contact Material:** Tin-Plated Brass
- Spring Material:** Stainless Steel
- Operating Temperature:** 105°C (221°F) max., -40°C (-40°F) min.
- Recommended PCB Hole Diameters:** 0.051" (1.30mm)
- Construction:** Mold-to-Length
- Agency Information:** US File E62622; CE Certified



EM281606

Dimensions - mm (in)



| Poles | L (mm) |
|-------|--------|
| 2 | 15.24 |
| 3 | 22.86 |
| 4 | 30.48 |
| 5 | 38.10 |
| 6 | 45.72 |
| 7 | 53.34 |
| 8 | 60.96 |
| 9 | 68.58 |
| 10 | 76.20 |
| 11 | 83.82 |
| 12 | 91.44 |

To convert to inches, divide by 25.4

Part Numbering System



Terminal Blocks: Single & Double Row

EuroMag Series

Terminal Blocks: Base & Rail Mount

Power Distribution Blocks

Wire Management Products

Edge Connectors, One-Sided Boards

Compliance References

**EM3533 Series
Euro-Mag Terminal Blocks**

Pluggable Block (Mates with EM2221 Series);
3.50 Centers

SPECIFICATIONS

Rating: 8A, 300V

Center Spacing: 0.138" (3.50mm)

Wire Range: #16-26 AWG

Housing Material: UL rated 94V0 Thermoplastic

Contact Material: Brass Tin-Plated

Cage Clamp: Brass, Nickel-Plated

Screw Size: M2.0 Nickel-Plated Steel

Operating Temperature: 105°C (221°F) max., -40°C (-40°F) min.

Torque Rating: 2.5 lb-in.

Construction: Mold-to-Length

Agency Information:  US File E62622; CE Certified

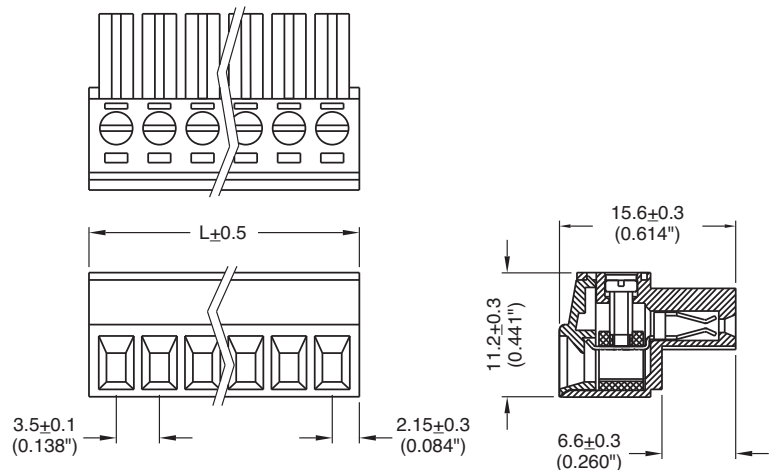


EM353308

| Poles | L (mm) |
|-------|--------|
| 2 | 7.8 |
| 3 | 11.3 |
| 4 | 14.8 |
| 5 | 18.3 |
| 6 | 21.8 |
| 7 | 25.3 |
| 8 | 28.8 |
| 9 | 32.3 |
| 10 | 35.8 |
| 11 | 33.3 |
| 12 | 42.8 |
| 13 | 46.3 |
| 14 | 49.8 |

To convert to inches, divide by 25.4

Dimensions - mm (in)



Part Numbering System



Terminal Blocks:
Single & Double Row

EuroMag Series

Terminal Blocks:
Base & Rail Mount

Power Distribution
Blocks

Wire Management
Products

Edge Connectors,
One-Sided Boards

Compliance
References

EM2221 Series

Euro-Mag Terminal Blocks

Closed Header; (Mates with EM3553 Series);
3.50 Centers

SPECIFICATIONS

Rating: 8A, 300V

Center Spacing: 0.138" (3.50mm)

Housing Material: UL rated 94V0 Thermoplastic

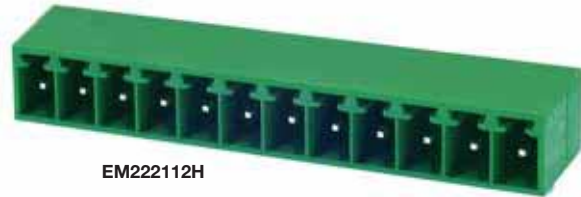
Contact Material: Brass Tin-Plated

Operating Temperature: 105°C (221°F) max., -40°C (-40°F) min.

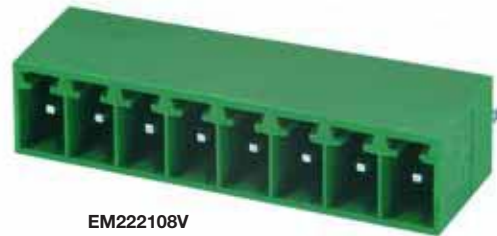
Recommended PCB Hole Diameters: 0.055" (1.40mm)

Construction: Mold-to-Length

Agency Information: File E62622; CE Certified



EM222112H



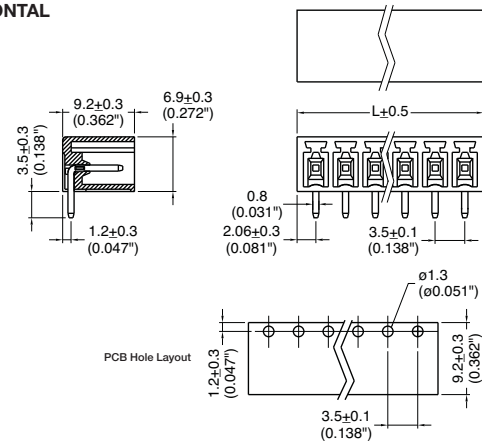
EM222108V

| Poles | L (mm) |
|-------|--------|
| 2 | 7.6 |
| 3 | 11.1 |
| 4 | 14.6 |
| 5 | 18.1 |
| 6 | 21.6 |
| 7 | 25.1 |
| 8 | 28.6 |
| 9 | 32.1 |
| 10 | 35.6 |
| 11 | 39.1 |
| 12 | 42.6 |
| 13 | 42.1 |
| 14 | 49.6 |

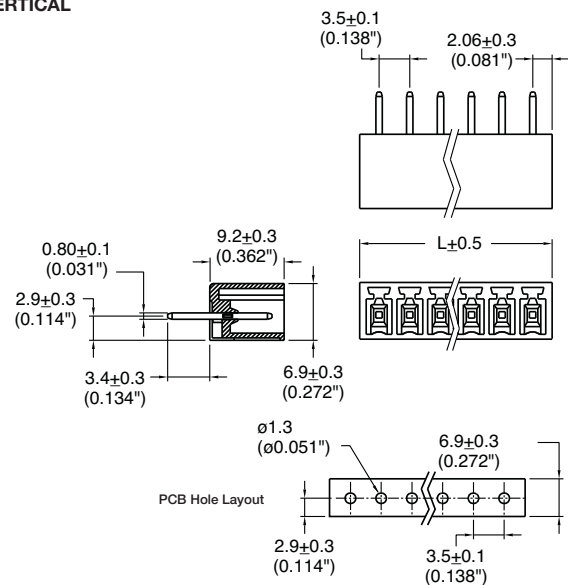
To convert to inches, divide by 25.4

Dimensions - mm (in)

HORIZONTAL



VERTICAL



Part Numbering System

| Series | # of Poles | Orientation |
|--------|------------|--------------------------------|
| EM2221 | □ □ | □ |
| | 02 to 14 | H - horizontal V - vertical |

Terminal Blocks:
Single & Double Row

EuroMag Series

Terminal Blocks:
Base & Rail Mount

Power Distribution
Blocks

Wire Management
Products


Edge Connectors,
One-Sided Boards

Compliance
References

**EM2413 Series
Euro-Mag Terminal Blocks**

Pluggable Block with Flanges (Mates with EM2201 Series); 3.50 Centers

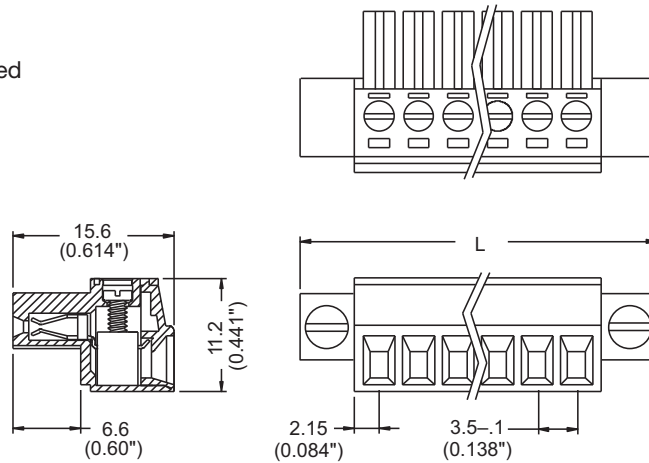
SPECIFICATIONS

- Rating:** 8A, 300V
- Center Spacing:** 0.138" (3.50mm)
- Wire Range:** #16-26 AWG
- Housing Material:** UL rated 94V0 Thermoplastic
- Contact Material:** Brass Tin-Plated
- Cage Clamp:** Brass, Nickel-Plated
- Screw Size:** M2.0 Nickel-Plated Steel
- Operating Temperature:** 105°C (221°F) max., -40°C (-40°F) min.
- Torque Rating:** 2.5 lb-in.
- Construction:** Mold-to-Length
- Agency Information:**  File E62622; CE Certified



EM241307

Dimensions - mm (in)



| Poles | L (mm) |
|-------|--------|
| 2 | 17.4 |
| 3 | 20.9 |
| 4 | 24.4 |
| 5 | 27.9 |
| 6 | 31.4 |
| 7 | 34.9 |
| 8 | 38.4 |
| 9 | 41.9 |
| 10 | 45.4 |
| 11 | 48.9 |
| 12 | 52.4 |

To convert to inches, divide by 25.4

Part Numbering System



Terminal Blocks: Single & Double Row

EuroMag Series

Terminal Blocks: Base & Rail Mount

Power Distribution Blocks

Wire Management Products

Edge Connectors, One-Sided Boards

Compliance References

EM2201 Series

Euro-Mag Terminal Blocks

Header with Flanges (Mates with EM2413 Series); 3.50 Centers

SPECIFICATIONS

Rating: 8A, 300V

Center Spacing: 0.138" (3.50mm)

Housing Material: Green Polyamide Type 6/6, 94V0

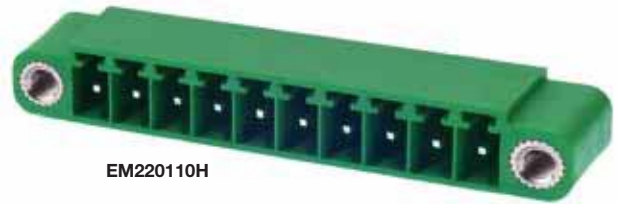
Contact Material: Brass Tin-Plated

Operating Temperature: 105°C (221°F) max., -40°C (-40°F) min.

Recommended PCB Hole Diameters: 0.055" (1.40mm)

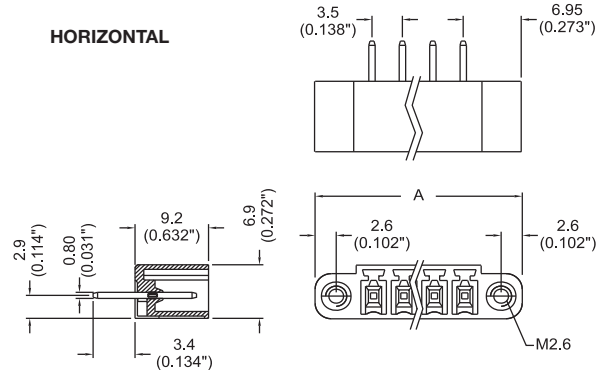
Construction: Mold to Length

Agency Information: File E62622; CE Certified



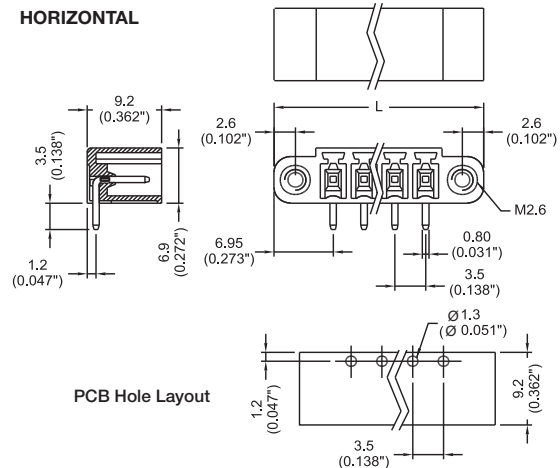
Dimensions - mm (in)

HORIZONTAL



PCB Hole Layout

HORIZONTAL



PCB Hole Layout

| Poles | L (mm) |
|-------|--------|
| 2 | 17.4 |
| 3 | 20.9 |
| 4 | 24.4 |
| 5 | 27.9 |
| 6 | 31.4 |
| 7 | 34.9 |
| 8 | 38.4 |
| 9 | 41.3 |
| 10 | 45.4 |
| 11 | 48.9 |
| 12 | 52.4 |

To convert to inches, divide by 25.4

Part Numbering System

Series

EM2201

of Poles

□ □

02 to 12


Orientation

□

H - horizontal
V - vertical

EM3553 Series
Euro-Mag Terminal Blocks
 (Mates with EM3593 Series);
 3.81 Centers

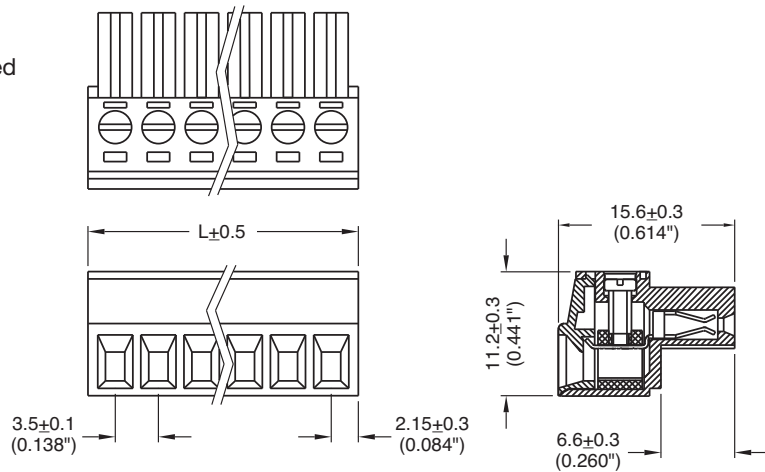
SPECIFICATIONS

- Rating:** 8A, 300V
- Center Spacing:** 0.15" (3.81mm)
- Consult factory for 0.30" (7.62mm)
- Wire Range:** #18-20 AWG
- Housing Material:** UL rated 94V0 Thermoplastic
- Contact Material:** Brass Tin-Plated
- Screw Size:** M2x3 Zinc-Plated Steel
- Operating Temperature:** 105°C (221°F) max., -40°C (-40°F) min.
- Torque Rating:** 3.0 lb-in.
- Construction:** Mold-to-Length
- Agency Information:**  File E62622; CE Certified



EM355308

Dimensions - mm (in)



| Position | L (mm) |
|----------|--------|
| 02 | 7.90 |
| 03 | 11.71 |
| 04 | 15.52 |
| 05 | 19.33 |
| 06 | 23.14 |
| 07 | 26.95 |
| 08 | 30.76 |
| 09 | 34.57 |
| 10 | 38.38 |
| 11 | 42.19 |
| 12 | 46.00 |

To convert to inches, divide by 25.4

Part Numbering System

Series # of Positions

EM3553

 02 to 12

Mating Header: EM3593 pg. 90

- Terminal Blocks:
Single & Double Row
- EuroMag Series
- Terminal Blocks:
Base & Rail Mount
- Power Distribution
Blocks
- Wire Management
Products
- Edge Connectors,
One-Sided Boards
- Compliance
References

EM3543 Series

Euro-Mag Terminal Blocks

Pluggable Block (Mates with EM3593 Series);
3.81 Centers

SPECIFICATIONS

Rating: 8A, 300V

Center Spacing: 0.15" (3.81mm)

Consult factory for 0.30" (7.62mm)

Wire Range: #16-24 AWG

Housing Material: UL rated 94V0 Thermoplastic

Contact Material: Brass Tin-Plated

Cage Clamp: Brass, Nickel-Plated

Screw Size: M2.0 Zinc-Plated Steel

Operating Temperature: 105°C (221°F) max., -40°C (-40°F) min.

Torque Rating: 2.5 lb-in.

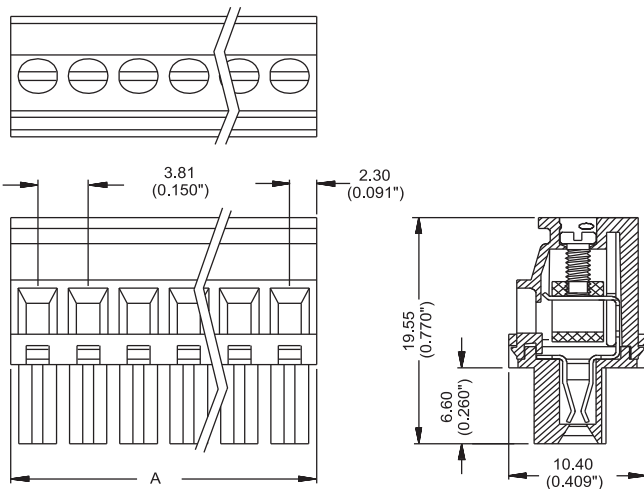
Construction: Mold-to-Length

Agency Information: File E62622; CE Certified



EM354309

Dimensions - mm (in)



| Poles | L (mm) |
|-------|--------|
| 2 | 8.41 |
| 3 | 12.22 |
| 4 | 16.03 |
| 5 | 19.84 |
| 6 | 23.65 |
| 7 | 27.46 |
| 8 | 31.27 |
| 9 | 35.08 |
| 10 | 38.89 |
| 11 | 42.70 |
| 12 | 46.51 |

To convert to inches, divide by 25.4

Part Numbering System

Series # of Poles

EM3543

02 to 12

Mating Header: EM3593 pg. 90

Terminal Blocks: Single & Double Row

EuroMag Series

Terminal Blocks: Base & Rail Mount

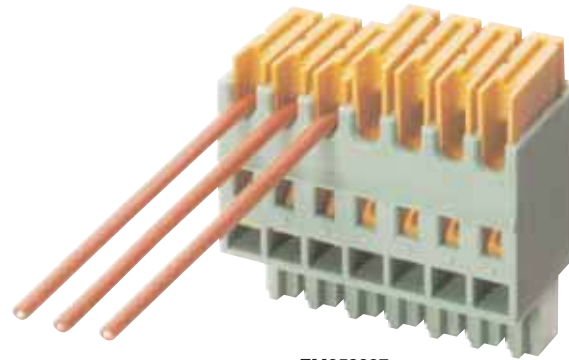
Power Distribution Blocks

Wire Management Products

Edge Connectors, One-Sided Boards

Compliance References

Series EM3583
Euro-Mag Terminal Blocks
 IDC Pluggable Block
 (Mates with EM3593 Series); 3.81 Centers

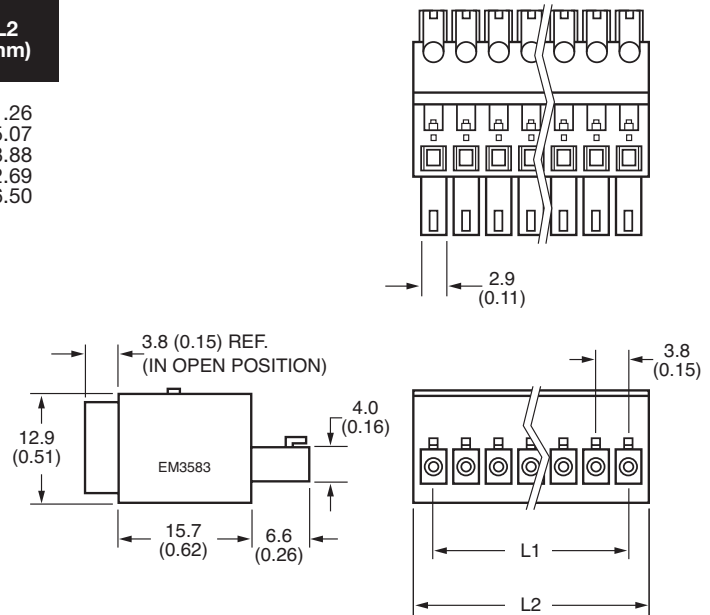


EM358307

- SPECIFICATIONS**
Ratings: 6A, 160V
Center Spacing: 0.15" (3.81mm)
Wire Range: #22-20 AWG
Housing Material: UL rated 94V0 Thermoplastic
Contact Material: Brass, Tin-Plated
Operating Temperature: 105°C (221°F) max., -49°C (-40°F) min.
Construction: Mold-to-length.
Agency Information: File E62622; CE Certified

| Poles | L1 (mm) | L2 (mm) | Poles | L1 (mm) | L2 (mm) |
|-------|---------|---------|-------|---------|---------|
| 02 | 3.81 | 8.40 | 08 | 26.67 | 31.26 |
| 03 | 7.62 | 12.21 | 09 | 30.48 | 35.07 |
| 04 | 11.43 | 16.02 | 10 | 34.29 | 38.88 |
| 05 | 15.24 | 19.83 | 11 | 38.10 | 42.69 |
| 06 | 19.05 | 23.64 | 12 | 41.91 | 46.50 |
| 07 | 22.86 | 27.45 | | | |

Dimensions - mm (in)



Part Numbering System Inches (Millimeters)

Series **EM3583** # of Positions
 02 to 12

Mating Header: EM3593 pg. 90

Terminal Blocks:
Single & Double Row

EuroMag Series

Terminal Blocks:
Base & Rail Mount

Power Distribution
Blocks

Wire Management
Products

Edge Connectors,
One-Sided Boards

Compliance
References

Series EM3593

Euro-Mag Terminal Blocks

Header (Mates with EM3553 Series); 3.81 Centers

SPECIFICATIONS

Ratings: 6A, 160V

Center Spacing: 0.15" (3.81mm)

Housing Material: UL rated 94V0 Thermoplastic

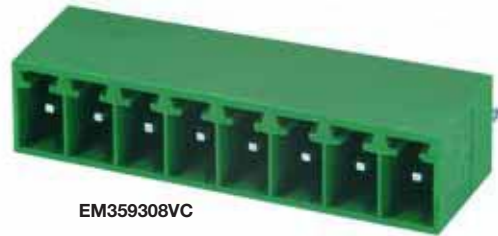
Contact Material: Brass, Tin-Plated

Operating Temperature: 105°C (221°F) max., -40°C (-40°F) min.

Recommended PCB Hole Diameters: 0.51" (1.30mm)

Construction: Mold-to-length.

Agency Information:  US File E62622; CE Certified

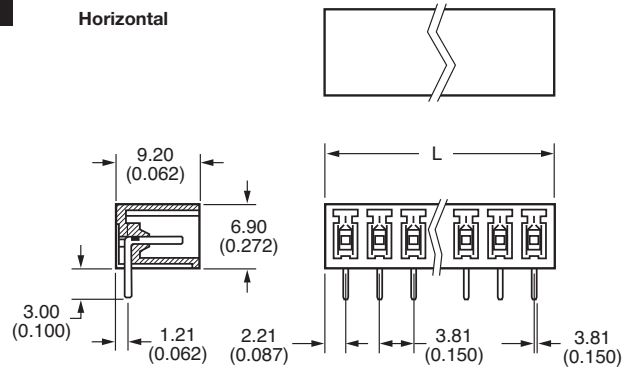


| Poles | L (mm) | Poles | L (mm) |
|-------|--------|-------|--------|
| 02 | | 08 | 31.09 |
| 03 | 8.23 | 09 | 34.90 |
| 04 | 12.04 | 10 | 38.71 |
| 05 | 15.85 | 11 | 42.52 |
| 06 | 19.66 | 12 | 46.33 |
| 07 | 23.47 | | |
| | 27.28 | | |

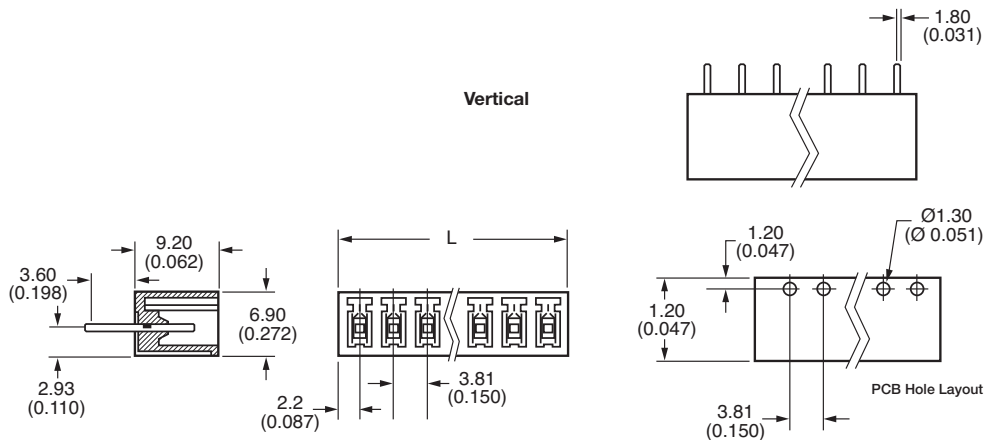
* Dimensions in inches. To convert to millimeters, multiply by 25.4.

Dimensions - mm (in)

Horizontal



Vertical



Part Numbering System

Inches (Millimeters)

Series



of Positions



02 to 12

Orientation



H - Horizontal
V - Vertical

Side Base



C - Closed

Mating Plugs: EM3553 pg. 87
EM3543 pg. 88
EM3583 pg. 89

Terminal Blocks:
Single & Double Row

EuroMag Series

Terminal Blocks:
Base & Rail Mount

Power Distribution
Blocks

Wire Management
Products

Edge Connectors,
One-Sided Boards

Compliance
References

EM2423 Series

Euro-Mag Terminal Blocks

Pluggable Block with Flanges (Mates with EM2211 Series); 3.81 Centers



EM242307

SPECIFICATIONS

Rating: 8A, 300V

Center Spacing: 0.15" (3.81mm)

Wire Range: #16-26 AWG

Housing Material: UL rated 94V0 Thermoplastic

Contact Material: Brass Tin-Plated

Cage Clamp: Brass, Nickel-Plated

Screw Size: M2.0 Nickel-Plated Steel

Operating Temperature: 105°C (221°F) max., -40°C (-40°F) min.

Torque Rating: 2.5 lb-in.

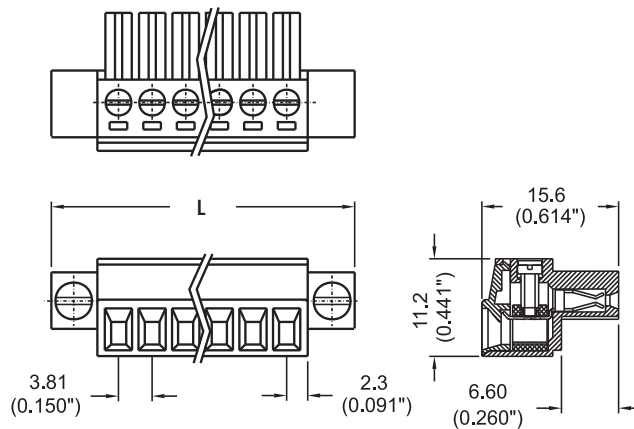
Construction: Mold-to-Length

Agency Information: cULus File E62622; CE Certified

| Poles | L (mm) |
|-------|--------|
| 2 | 17.91 |
| 3 | 21.72 |
| 4 | 25.53 |
| 5 | 29.34 |
| 6 | 33.15 |
| 7 | 36.96 |
| 8 | 40.77 |
| 9 | 44.58 |
| 10 | 48.39 |
| 11 | 52.20 |
| 12 | 56.01 |

To convert to inches, divide by 25.4

Dimensions - mm (in)



Part Numbering System



Mating Header: EM2211 pg. 93

Terminal Blocks:
Single & Double Row

EuroMag Series

Terminal Blocks:
Base & Rail Mount

Power Distribution
Blocks

Wire Management
Products

Edge Connectors,
One-Sided Boards

Compliance
References

EM2443 Series

Euro-Mag Terminal Blocks

Pluggable Block with Flanges (Mates with EM2211 Series); 3.81 Centers

SPECIFICATIONS

Rating: 10A, 300V

Center Spacing: 0.15" (3.81mm)
Consult factory for 0.30" (7.62mm)

Wire Range: #16-24 AWG

Housing Material: UL rated 94V0 Thermoplastic

Contact Material: Brass Tin-Plated

Cage Clamp: Brass, Nickel-Plated

Screw Size: M2.0 Nickel-Plated Steel

Operating Temperature: 105°C (221°F) max., -40°C (-40°F) min.

Torque Rating: 2.5 lb-in.

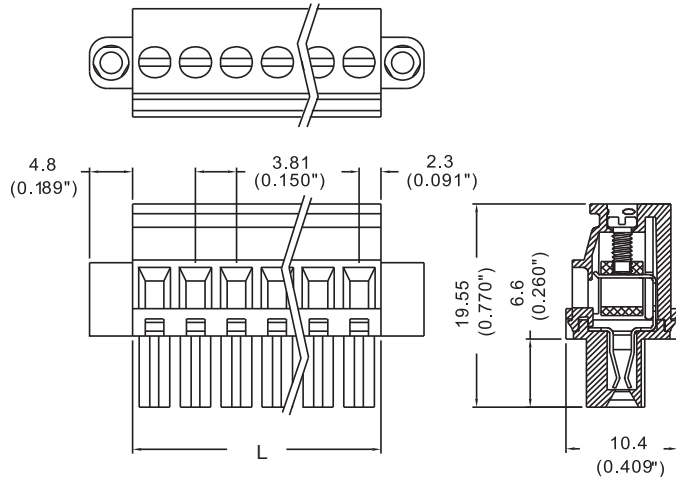
Construction: Mold-to-Length

Agency Information: US File E62622; CE Certified



EM2443

Dimensions - mm (in)



| Poles | L (mm) |
|-------|--------|
| 2 | 7.90 |
| 3 | 11.71 |
| 4 | 15.52 |
| 5 | 19.33 |
| 6 | 23.14 |
| 7 | 26.95 |
| 8 | 30.76 |
| 9 | 34.57 |
| 10 | 38.38 |
| 11 | 42.19 |
| 12 | 46.00 |

To convert to inches, divide by 25.4

Part Numbering System



Mating Header: EM2211 pg. 93

Terminal Blocks:
Single & Double Row

EuroMag Series

Terminal Blocks:
Base & Rail Mount

Power Distribution
Blocks

Wire Management
Products

Edge Connectors,
One-Sided Boards

Compliance
References

EM2211 Series

Euro-Mag Terminal Blocks

Header with Flanges (Mates with EM2423, EM2443 Series); 3.81 Centers

SPECIFICATIONS

Rating: 8A, 300V

Center Spacing: 0.15" (3.81mm)

Consult factory for 0.30" (7.62mm)

Housing Material: UL rated 94V0 Thermoplastic

Contact Material: Brass Tin-Plated

Operating Temperature: 105°C (221°F) max., -40°C

(-40°F) min.

Recommended PCB Hole Diameters: 0.055" (1.40mm)

Construction: Mold to Length

Agency Information: eUS File E62622; CE Certified

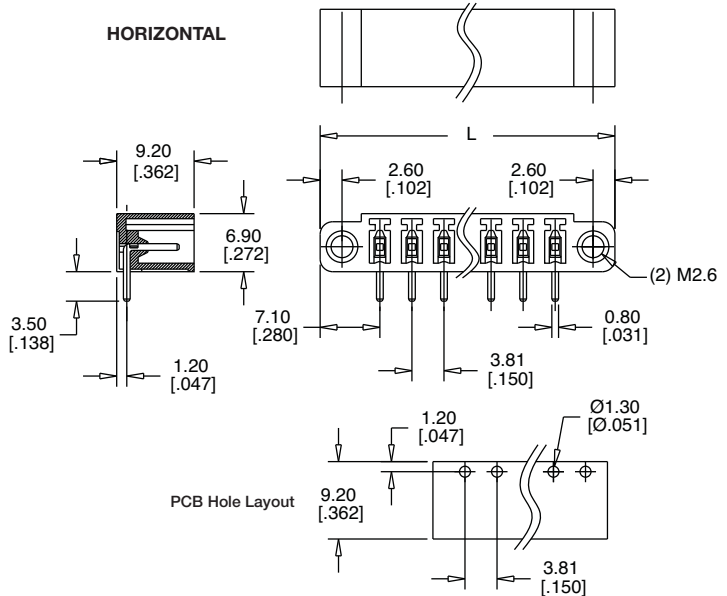


| Poles | L (mm) |
|-------|--------|
| 2 | 18.02 |
| 3 | 21.83 |
| 4 | 25.64 |
| 5 | 29.45 |
| 6 | 33.26 |
| 7 | 37.07 |
| 8 | 40.88 |
| 9 | 44.69 |
| 10 | 48.50 |
| 11 | 52.31 |
| 12 | 56.12 |
| 14 | 63.74 |

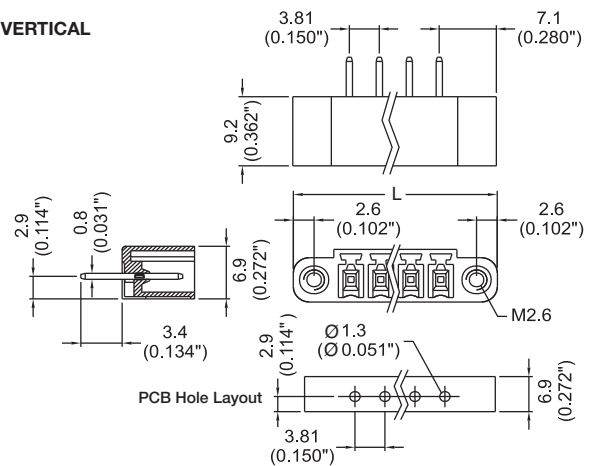
To convert to inches, divide by 25.4

Dimensions - mm (in)

HORIZONTAL



VERTICAL



Part Numbering System

| Series | # of Poles | Orientation |
|--------|---|--------------------------------|
| EM2211 | <input type="checkbox"/> <input type="checkbox"/> | <input type="checkbox"/> |
| | 02 to 14 | H - horizontal V - vertical |

Mating Plugs: EM2423 pg. 91
EM2443 pg. 92

EM2525 Series

Euro-Mag Terminal Blocks

Pluggable Block (Mates with EM2535 Series); 5.00 Centers

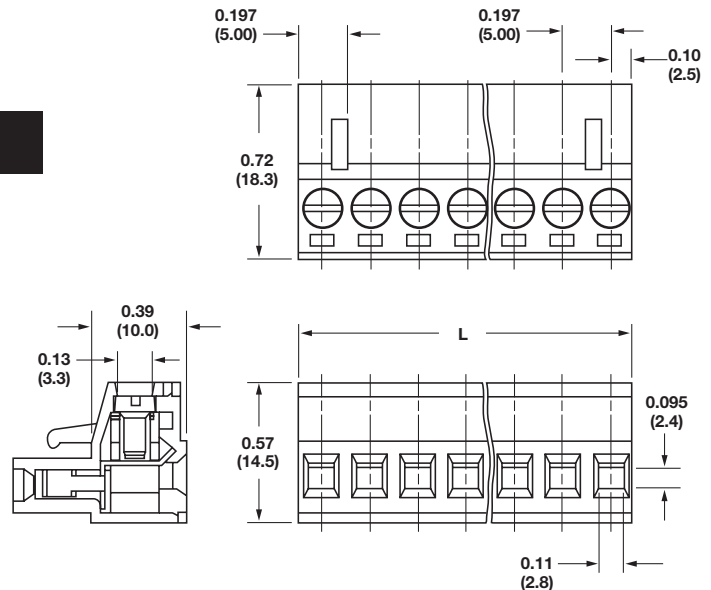
SPECIFICATIONS

- Rating:** 16A, 300V
- Center Spacing:** 0.197" (5.00mm)
Consult factory for 0.394" (10.00mm)
- Wire Range:** #12-26 AWG
- Housing Material:** UL rated 94V0 Thermoplastic
- Contact Material:** Brass Tin-Plated
- Screw Size:** M3x5 Zinc-Plated Steel
- Operating Temperature:** 105°C (221°F) max., -40°C (-40°F) min.
- Torque Rating:** 7 lb-in.
- Construction:** Mold-to-Length
- Connector Style:** Rising Cage Clamp
- Agency Information:** File E62622; CE Certified



EM252503

Dimensions - mm (in)



| Poles | L (mm) | Poles | L (mm) |
|-------|--------|-------|--------|
| 02 | 10.0 | 14 | 70.0 |
| 03 | 15.0 | 15 | 75.0 |
| 04 | 20.0 | 16 | 80.0 |
| 05 | 25.0 | 17 | 85.0 |
| 06 | 30.0 | 18 | 90.0 |
| 07 | 35.0 | 19 | 95.0 |
| 08 | 40.0 | 20 | 100.0 |
| 09 | 45.0 | 21 | 105.0 |
| 10 | 50.0 | 22 | 110.0 |
| 11 | 55.0 | 23 | 115.0 |
| 12 | 60.0 | 24 | 120.0 |
| 13 | 65.0 | | |

To convert to inches, divide by 25.4

Part Numbering System




Mating Header: EM2535 pg. 97

EM2485 Series

Euro-Mag Terminal Blocks

Pluggable Block with Cover
(Mates with EM2535 Series); 5.00 Centers

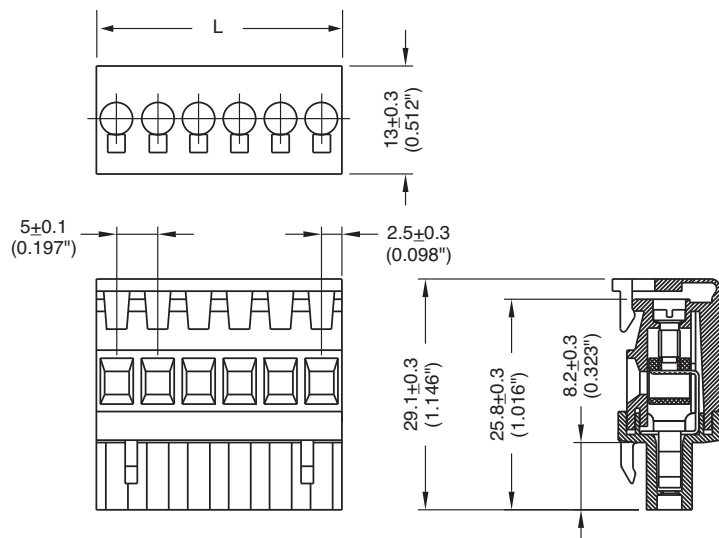
SPECIFICATIONS

- Rating:** 16A, 300V
- Center Spacing:** 0.197" (5.00mm)
- Wire Range:** #14-24 AWG
- Housing Material:** UL rated 94V0 Thermoplastic
- Contact Material:** Tin-Plated Phos Bronze
- Cage Clamp:** Brass, Nickel-Plated
- Screw Size:** M2.6 Nickel-Plated Steel
- Operating Temperature:** 105°C (221°F) max., -40°C (-40°F) min.
- Torque Rating:** 4.5 lb-in.
- Construction:** Mold-to-Length
- Agency Information:**  File E62622; CE Certified



EM248506

Dimensions - mm (in)



| Poles | L (mm) |
|-------|--------|
| 2 | 10.0 |
| 3 | 15.0 |
| 4 | 20.0 |
| 5 | 25.0 |
| 6 | 30.0 |
| 7 | 35.0 |
| 8 | 40.0 |

To convert to inches, divide by 25.4

Part Numbering System



Mating Header: EM2535 pg. 97

Terminal Blocks:
Single & Double Row

EuroMag Series

Terminal Blocks:
Base & Rail Mount

Power Distribution
Blocks

Wire Management
Products

Edge Connectors,
One-Sided Boards

Compliance
References

EM3105 Series**Euro-Mag Terminal Blocks**

Pluggable Block; Top Entry
(Mates with EM2535 Series); 5.00 Centers

SPECIFICATIONS

Rating: 16A, 300V

Center Spacing: 0.197" (5.00mm)

Wire Range: #14-24 AWG

Housing Material: UL rated 94V0 Thermoplastic

Contact Material: Tin-Plated Phos Bronze

Cage Clamp: Brass, Nickel-Plated

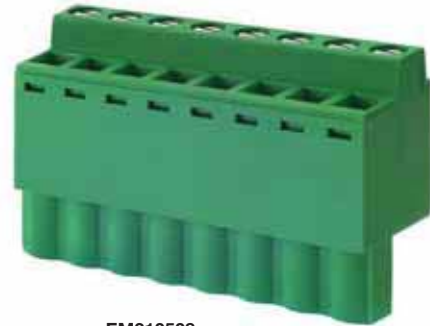
Screw Size: M2.6 Nickel-Plated Steel

Operating Temperature: 105°C (221°F) max., -40°C (-40°F) min.

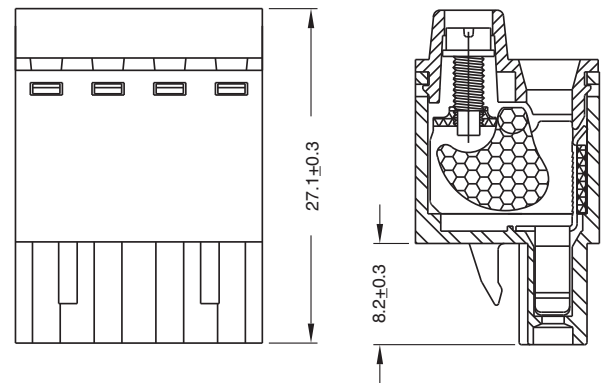
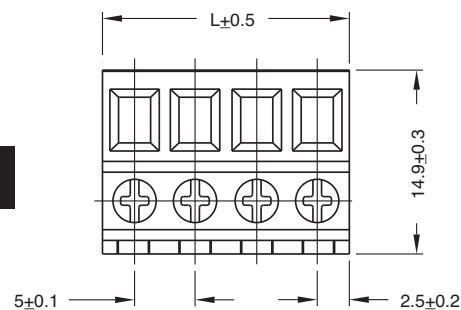
Torque Rating: 4.5 lb-in.

Construction: Mold-to-Length

Agency Information:  File E62622; CE Certified



EM310508

Dimensions - mm (in)

| Poles | L (mm) | Poles | L (mm) |
|-------|--------|-------|--------|
| 2 | 10.0 | 8 | 40.0 |
| 3 | 15.0 | 9 | 45.0 |
| 4 | 20.0 | 10 | 50.0 |
| 5 | 25.0 | 11 | 55.0 |
| 6 | 30.0 | 12 | 60.0 |
| 7 | 35.0 | | |

To convert to inches, divide by 25.4

Part Numbering System

Series

of Poles

EM3105



02 to 12

Mating Plugs: EM2525 pg. 94
EM2485 pg. 95
EM3105 pg. 96

EM2535 Series

Euro-Mag Terminal Blocks

Header (Mates with EM2525, EM2485 & EM3105 Series); 5.00 Centers

SPECIFICATIONS

Rating: 16A, 300V

Center Spacing: 0.197" (5.00mm)

Consult factory for 0.394" (10.00mm)

Housing Material: UL rated 94V0 Thermoplastic

Contact Material: Brass Tin-Plated

Operating Temperature: 105°C (221°F) max., -40°C (-40°F) min.

Recommended PCB Hole Diameters: 0.055" (1.40mm)

Construction: Mold-to-Length

Agency Information:  File E62622; CE Certified

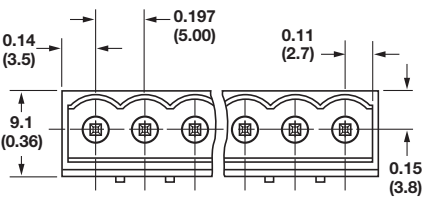
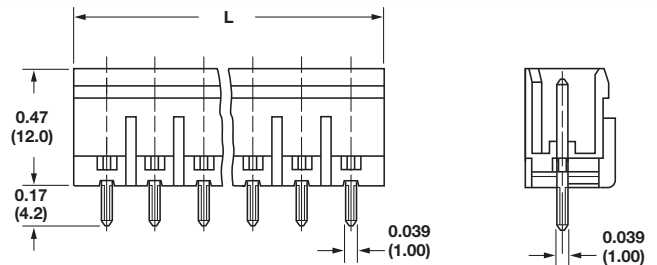


EM253505VC

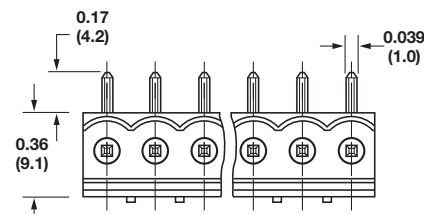
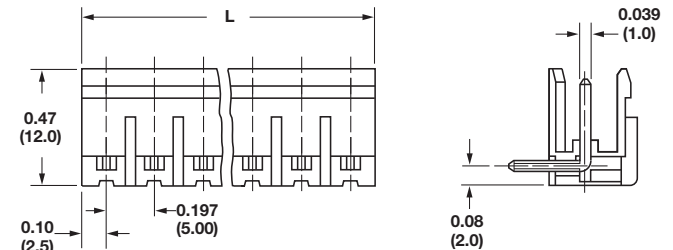
EM253508HO

Dimensions - mm (in)

VERTICAL - CLOSED



HORIZONTAL - OPEN



| Position | Open L (mm) | Closed L (mm) | Position | Open L (mm) | Closed L (mm) |
|----------|-------------|---------------|----------|-------------|---------------|
| 02 | 10.0 | 12.0 | 14 | 70.0 | 72.0 |
| 03 | 15.0 | 17.0 | 15 | 75.0 | 77.0 |
| 04 | 20.0 | 22.0 | 16 | 80.0 | 82.0 |
| 05 | 25.0 | 27.0 | 17 | 85.0 | 87.0 |
| 06 | 30.0 | 32.0 | 18 | 90.0 | 92.0 |
| 07 | 35.0 | 37.0 | 19 | 95.0 | 97.0 |
| 08 | 40.0 | 42.0 | 20 | 100.0 | 102.0 |
| 09 | 45.0 | 47.0 | 21 | 105.0 | 107.0 |
| 10 | 50.0 | 52.0 | 22 | 110.0 | 112.0 |
| 11 | 55.0 | 57.0 | 23 | 115.0 | 117.0 |
| 12 | 60.0 | 62.0 | 24 | 120.0 | 122.0 |
| 13 | 65.0 | 67.0 | | | |

To convert to inches, divide by 25.4

Part Numbering System

Series



of Positions



02 to 24

Orientations



H - horizontal
V - vertical

Side Base



O - open
C - closed

Mating Plugs: EM2525 pg. 94
EM2485 pg. 95
EM3105 pg. 96

Terminal Blocks:
Single & Double Row

EuroMag Series

Terminal Blocks:
Base & Rail Mount

Power Distribution
Blocks

Wire Management
Products

Edge Connectors,
One-Sided Boards

Compliance

EM2565 Series

Euro-Mag Terminal Blocks

Pluggable Block (Mates with EM2575 Series); 5.08 Centers

SPECIFICATIONS

Rating: 16A, 300V

Center Spacing: 0.20" (5.08mm)
Consult factory for 0.40" (10.16mm)

Wire Range: #12-26 AWG

Housing Material: UL rated 94V0 Thermoplastic

Contact Material: Brass Tin-Plated

Screw Size: M3x5 Zinc-Plated Steel

Operating Temperature: 105°C (221°F) max., -40°C (-40°F) min.

Torque Rating: 7 lb-in.

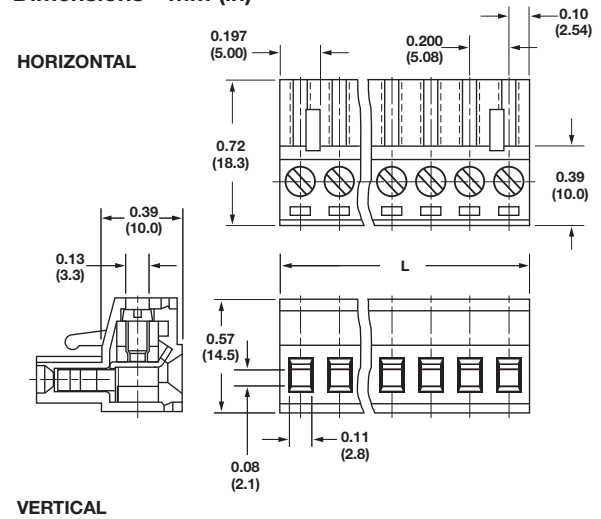
Construction: Mold-to-Length

Agency Information: File E62622; CE Certified



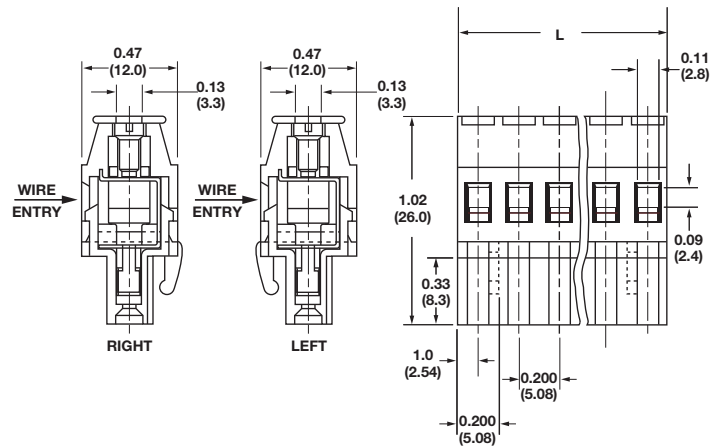
EM25603VR

Dimensions - mm (in)



| Position | L (mm) | Position | L (mm) |
|----------|--------|----------|--------|
| 02 | 10.16 | 14 | 71.12 |
| 03 | 15.24 | 15 | 76.20 |
| 04 | 20.32 | 16 | 81.28 |
| 05 | 25.40 | 17 | 86.36 |
| 06 | 30.48 | 18 | 91.44 |
| 07 | 35.56 | 19 | 96.52 |
| 08 | 40.64 | 20 | 101.60 |
| 09 | 45.72 | 21 | 106.68 |
| 10 | 50.80 | 22 | 111.76 |
| 11 | 55.88 | 23 | 116.84 |
| 12 | 60.96 | 24 | 121.92 |
| 13 | 66.04 | | |

To convert to inches, divide by 25.4



Part Numbering System

| Series | # of Positions | Orientation | Wire Entry (Vertical Orientation Only) | Mating Header: EM2575 pg. 101 |
|---------------|--------------------------|--|--|-------------------------------|
| EM2565 | <input type="checkbox"/> | <input type="checkbox"/> | <input type="checkbox"/> | |
| | 02 to 24 | H - horizontal V - vertical | L - left R - right | |

Terminal Blocks:
Single & Double Row

EuroMag Series

Terminal Blocks:
Base & Rail Mount

Power Distribution
Blocks

Wire Management
Products

Edge Connectors,
One-Sided Boards

Compliance
References

EM2488 Series

Euro-Mag Terminal Blocks

Pluggable Block (Mates with EM2575 Series); 5.08 Centers with Cover

SPECIFICATIONS

Rating: 16A, 300V

Center Spacing: 0.20" (5.08mm)

Wire Range: #14-24 AWG

Housing Material: UL rated 94V0 Thermoplastic

Contact Material: Brass Tin-Plated

Cage Clamp: Brass, Nickel-Plated

Screw Size: M2.6 Nickel-Plated Steel

Operating Temperature: 105°C (221°F) max., -40°C (-40°F) min.

Torque Rating: 4.5 lb-in.

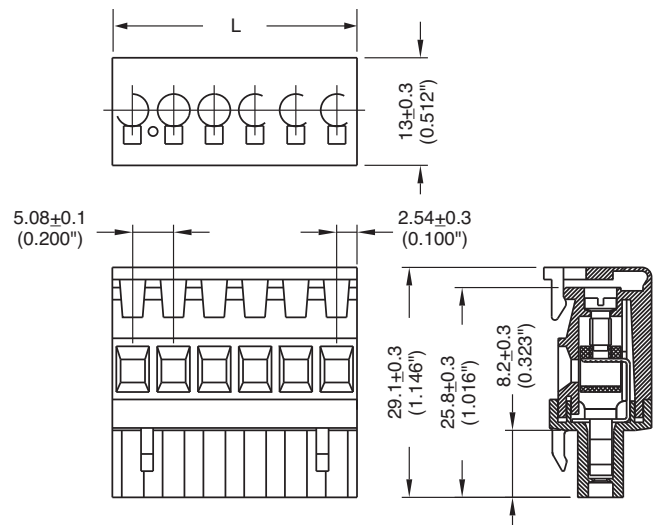
Construction: Mold-to-Length

Agency Information: US File E62622; CE Certified



EM248806

Dimensions - mm (in)



| Poles | L (mm) |
|-------|--------|
| 2 | 10.16 |
| 3 | 15.24 |
| 4 | 20.32 |
| 5 | 25.40 |
| 6 | 30.48 |
| 7 | 35.56 |
| 8 | 40.64 |

To convert to inches, divide by 25.4

Part Numbering System

Series

EM2488

of Poles

02 to 08

Mating Header: EM2575 pg. 101

Terminal Blocks:
Single & Double Row

EuroMag Series

Terminal Blocks:
Base & Rail Mount

Power Distribution
Blocks

Wire Management
Products

Edge Connectors,
One-Sided Boards

Compliance
References

EM3108 Series

Euro-Mag Terminal Blocks

Pluggable Block; Front Entry (Mates with EM2575 Series); 5.08 Centers

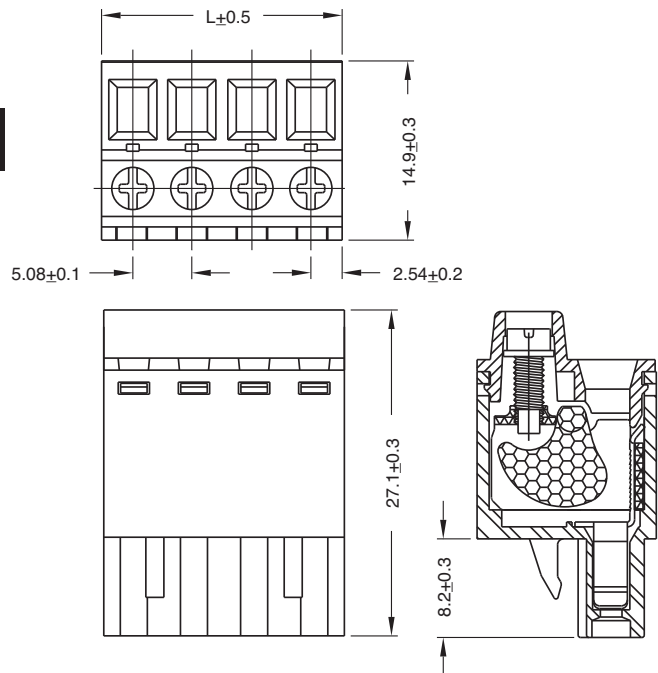
SPECIFICATIONS

- Rating:** 16A, 300V
- Center Spacing:** 0.20" (5.08mm)
- Wire Range:** #14-24 AWG
- Housing Material:** UL rated 94V0 Thermoplastic
- Contact Material:** Brass Tin-Plated
- Cage Clamp:** Brass, Nickel-Plated
- Screw Size:** M2.6 Nickel-Plated Steel
- Operating Temperature:** 105°C (221°F) max., -40°C (-40°F) min.
- Torque Rating:** 4.5 lb-in.
- Construction:** Mold-to-Length
- Agency Information:** US File E62622; CE Certified



EM310808

Dimensions - mm (in)



| Poles | L (mm) | Poles | L (mm) |
|-------|--------|-------|--------|
| 2 | 10.16 | 14 | 71.12 |
| 3 | 15.24 | 15 | 76.20 |
| 4 | 20.32 | 16 | 81.28 |
| 5 | 25.40 | 17 | 86.36 |
| 6 | 30.48 | 18 | 91.44 |
| 7 | 35.45 | 19 | 96.52 |
| 8 | 40.64 | 20 | 101.60 |
| 9 | 45.72 | 21 | 106.68 |
| 10 | 50.80 | 22 | 111.76 |
| 11 | 55.88 | 23 | 116.84 |
| 12 | 60.96 | 24 | 121.92 |
| 13 | 66.04 | | |

To convert to inches, divide by 25.4

Part Numbering System

Series # of Poles

EM3108

 02 to 24

Mating Header: EM2575 pg. 101

Terminal Blocks: Single & Double Row

EuroMag Series

Terminal Blocks: Base & Rail Mount

Power Distribution Blocks

Wire Management Products

Edge Connectors, One-Sided Boards

Compliance References

EM2575 Series Euro-Mag Terminal Blocks

Header (Mates with EM2565, EM2488, EM3108 Series); 5.08 Centers

SPECIFICATIONS

Rating: 16A, 300V

Center Spacing: 0.20" (5.08mm)

Consult factory for 0.40" (10.16mm)

Housing Material: UL rated 94V0 Thermoplastic

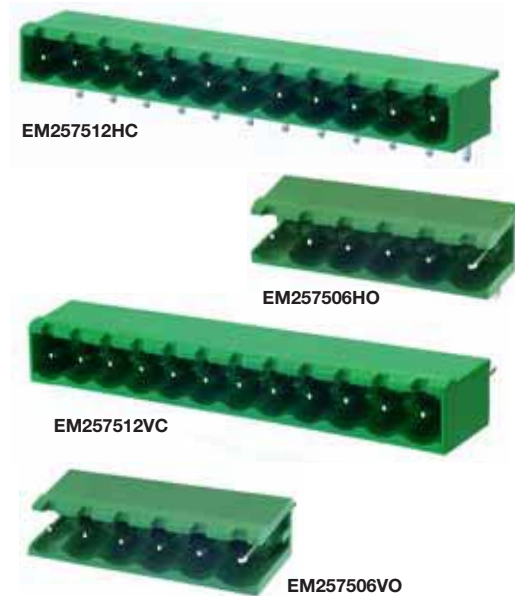
Contact Material: Brass Tin-Plated

Operating Temperature: 105°C (221°F) max., -40°C (-40°F) min.

Recommended PCB Hole Diameters: 0.055" (1.40mm)

Construction: Mold-to-Length

Agency Information: File E62622; CE Certified



Terminal Blocks:
Single & Double Row

EuroMag Series

Terminal Blocks:
Base & Rail Mount

Power Distribution
Blocks

Wire Management
Products

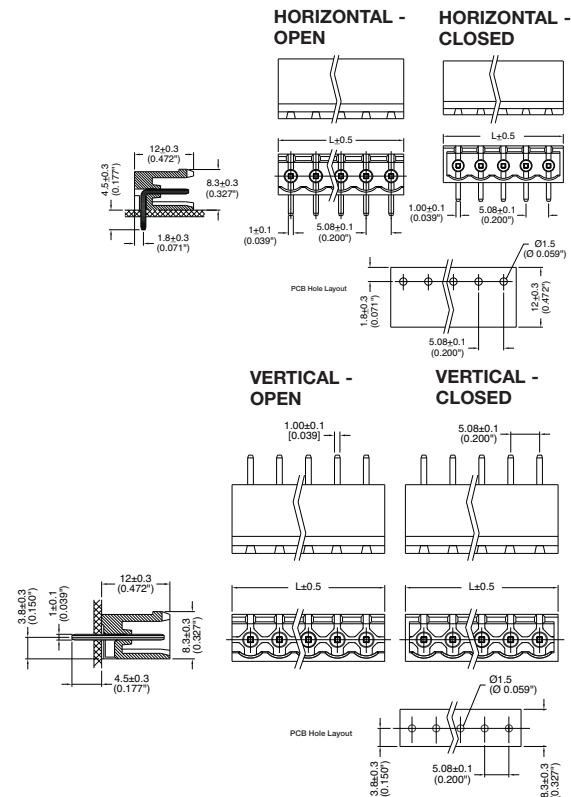
Edge Connectors,
One-Sided Boards

Compliance
References

| Poles | Open L (mm) | Closed L (mm) | Poles | Open L (mm) | Closed L (mm) |
|-------|-------------|---------------|-------|-------------|---------------|
| 2 | 10.16 | 12.08 | 14 | 71.12 | 73.04 |
| 3 | 15.24 | 17.16 | 15 | 76.20 | 78.12 |
| 4 | 20.32 | 22.24 | 16 | 81.28 | 83.20 |
| 5 | 25.40 | 27.32 | 17 | 86.36 | 88.28 |
| 6 | 30.48 | 32.40 | 18 | 91.44 | 93.36 |
| 7 | 35.56 | 37.48 | 19 | 96.52 | 98.44 |
| 8 | 40.64 | 42.56 | 20 | 101.60 | 103.52 |
| 9 | 45.72 | 47.64 | 21 | 106.68 | 105.60 |
| 10 | 50.80 | 52.72 | 22 | 111.76 | 113.68 |
| 11 | 55.88 | 57.80 | 23 | 116.84 | 118.76 |
| 12 | 60.96 | 62.88 | 24 | 121.92 | 123.84 |
| 13 | 66.04 | 67.96 | | | |

To convert to inches, divide by 25.4

Dimensions - mm (in)



Part Numbering System

| Series | # of Poles | Orientation | Side Base |
|---------------|--------------------------|--|--------------------------------------|
| EM2575 | <input type="checkbox"/> | <input type="checkbox"/> | <input type="checkbox"/> |
| | 02 to 24 | H - horizontal V - vertical | O - open C - closed |

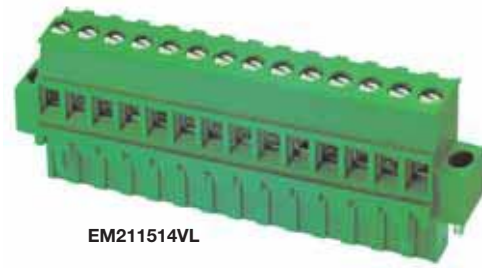
Mating Plugs: EM2565 pg. 98
EM2488 pg. 99
EM3108 pg. 100

Series EM2115 Series

Pluggable Terminal Block with Flanges;
(Mates with EM2215 Series); 5.00 Centers

SPECIFICATIONS:

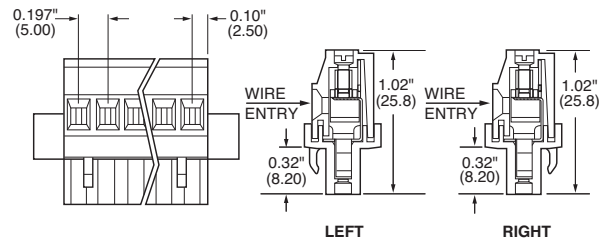
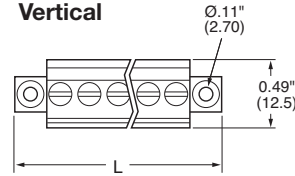
- Rating:** 16A, 300V
- Center Spacing:** 0.197" (5.00mm)
- Wire Range:** #14-24 AWG
- Housing Material:** UL rated 94V0 Thermoplastic
- Contact Material:** Tin-Plated Phosphor Bronze
- Screw Size:** M2x6 Nickel-Plated Steel
- Operating Temperature:** 105°C (221°F) max., -55°C (-67°F) min.
- Torque Rating:** 4.5 lb-in.
- Construction:** Mold-to-Length
- Agency Information:** US File E62622; CE Certified



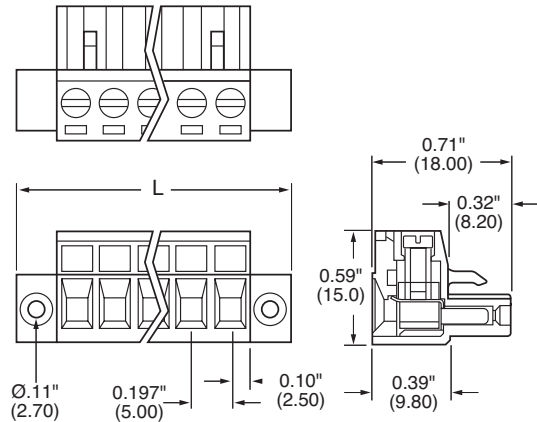
EM21154VL

Dimensions - mm (in)

Vertical



Horizontal



| Poles | A (mm) | A (Inch) | Poles | A (mm) | A (Inch) |
|-------|--------|----------|-------|--------|----------|
| 2 | 20.0 | 0.787 | 13 | 75.0 | 2.952 |
| 3 | 25.0 | 0.984 | 14 | 80.0 | 3.149 |
| 4 | 30.0 | 1.181 | 15 | 85.0 | 3.346 |
| 5 | 35.0 | 1.378 | 16 | 90.0 | 3.543 |
| 6 | 40.0 | 1.575 | 17 | 95.0 | 3.740 |
| 7 | 45.0 | 1.772 | 18 | 100.0 | 3.937 |
| 8 | 50.0 | 1.969 | 19 | 105.0 | 4.133 |
| 9 | 55.0 | 2.165 | 20 | 110.0 | 4.330 |
| 10 | 60.0 | 2.362 | 21 | 115.0 | 4.527 |
| 11 | 65.0 | 2.559 | 22 | 120.0 | 4.724 |
| 12 | 70.0 | 2.756 | | | |

Part Numbering System

Inches (Millimeters)

| Series | # of Poles | Orientation | Wire Entry |
|---------------|---|--------------------------------|--|
| EM2115 | <input type="checkbox"/> <input type="checkbox"/> | <input type="checkbox"/> | <input type="checkbox"/> |
| | 02 to 22 | V - Vertical H - Horizontal | L - Left wire entry R - Right wire entry (specify for V orientation) |


Mating Header: EM2215 pg. 104

Terminal Blocks: Single & Double Row
EuroMag Series
Terminal Blocks: Base & Rail Mount
Power Distribution Blocks
Wire Management Products
Edge Connectors, One-Sided Boards
Compliance References

**EM3115 Series
Euro-Mag Terminal Blocks**

Pluggable Block; Top Entry (Mates with EM2215 Series); 5.00 Centers

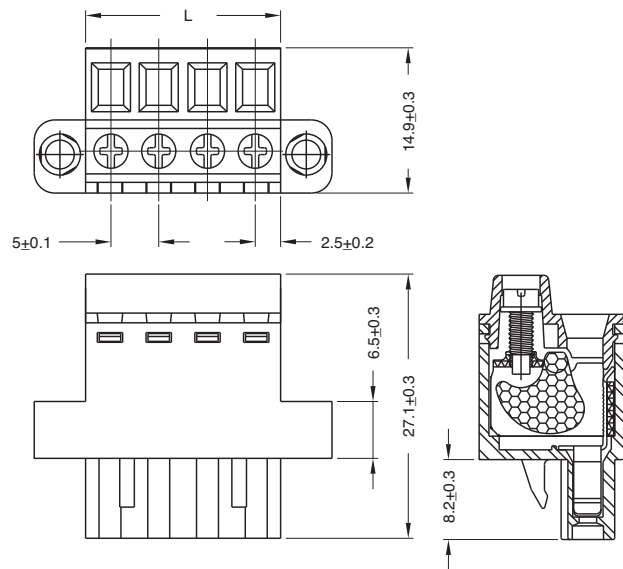
SPECIFICATIONS

- Rating:** 16A, 300V
- Center Spacing:** 0.197" (5.00mm)
- Wire Range:** #14-24 AWG
- Housing Material:** UL rated 94V0 Thermoplastic
- Contact Material:** Brass Tin-Plated
- Cage Clamp:** Brass, Nickel-Plated
- Screw Size:** M2.6 Nickel-Plated Steel
- Operating Temperature:** 105°C (221°F) max., -40°C (-40°F) min.
- Torque Rating:** 4.5 lb-in.
- Construction:** Mold-to-Length
- Agency Information:**  US File E62622; CE Certified



EM311503

Dimensions - mm (in)



| Poles | L (mm) | Poles | L (mm) |
|-------|--------|-------|--------|
| 2 | 20.0 | 14 | 80.0 |
| 3 | 25.0 | 15 | 85.0 |
| 4 | 30.0 | 16 | 90.0 |
| 5 | 35.0 | 17 | 95.0 |
| 6 | 40.0 | 18 | 100.0 |
| 7 | 45.0 | 19 | 105.0 |
| 8 | 50.0 | 20 | 110.0 |
| 9 | 55.0 | 21 | 115.0 |
| 10 | 60.0 | 22 | 120.0 |
| 11 | 65.0 | 23 | 125.0 |
| 12 | 70.0 | 24 | 130.0 |
| 13 | 75.0 | | |

To convert to inches, divide by 25.4

Part Numbering System

Series # of Poles

EM3115

02 to 22

Mating Header: EM2215 pg. 104

Terminal Blocks:
Single & Double Row

EuroMag Series

Terminal Blocks:
Base & Rail Mount

Power Distribution
Blocks

Wire Management
Products

Edge Connectors,
One-Sided Boards

Compliance
References

Series EM2215

Header with Flanges; (Mates with EM2115, EM3115 Series); 5.00 Centers

SPECIFICATIONS:

Rating: 16A, 300V

Center Spacing: 0.197" (5.00mm)

Housing Material: UL rated 94V0 Thermoplastic

Contact Material: Tin-Plated Brass

Operating Temperature: 105°C (221°F) max., -55°C (-67°F) min.

Construction: Mold-to-Length

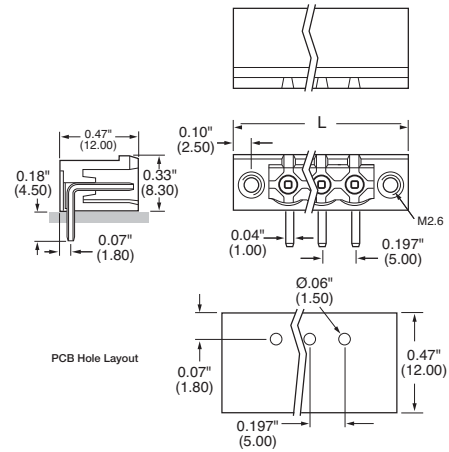
Agency Information: File E62622; CE Certified



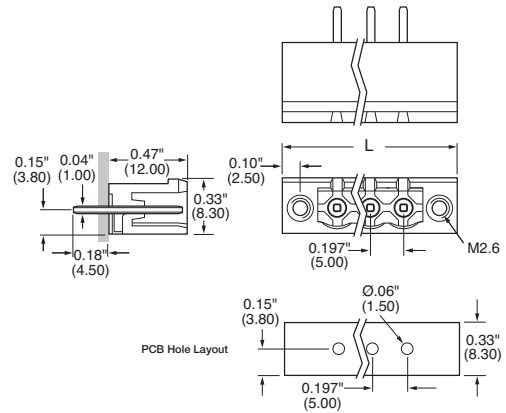
EM221503V

Dimensions - mm (in)

Horizontal



Vertical



| Poles | A (mm) | A (Inch) | Poles | A (mm) | A (Inch) |
|-------|--------|----------|-------|--------|----------|
| 2 | 10.0 | 0.393 | 13 | 65.0 | 2.559 |
| 3 | 15.0 | 0.590 | 14 | 75.0 | 2.953 |
| 4 | 20.0 | 0.787 | 15 | 80.0 | 3.150 |
| 5 | 25.0 | 0.984 | 16 | 85.0 | 3.346 |
| 6 | 30.0 | 1.181 | 17 | 90.0 | 3.543 |
| 7 | 35.0 | 1.378 | 18 | 95.0 | 3.740 |
| 8 | 40.0 | 1.575 | 19 | 100.0 | 3.937 |
| 9 | 45.0 | 1.772 | 20 | 105.0 | 4.133 |
| 10 | 50.0 | 1.969 | 21 | 110.0 | 4.331 |
| 11 | 55.0 | 2.165 | 22 | 115.0 | 4.528 |
| 12 | 60.0 | 2.362 | | | |

Part Numbering System

Inches (Millimeters)

Series



of Poles



02 to 22

Orientation



H - Horizontal
V - Vertical

Mating Plugs: EM2115 pg. 102
EM3115 pg. 103

Terminal Blocks:
Single & Double Row

EuroMag Series

Terminal Blocks:
Base & Rail Mount

Power Distribution
Blocks

Wire Management
Products

Edge Connectors,
One-Sided Boards

Compliance
References

Series EM2118 Series

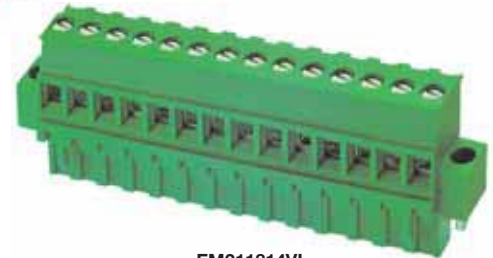
Pluggable Terminal Block with Flanges;
(Mates with EM2218 Series); 5.08 Centers

SPECIFICATIONS:

- Rating:** 16A, 300V
- Center Spacing:** 0.20" (5.08mm)
- Wire Range:** #14-24 AWG
- Housing Material:** UL rated 94V0 Thermoplastic
- Contact Material:** Tin-Plated Phosphor Bronze
- Screw Size:** M 3x0 Nickel-Plated Steel
- Operating Temperature:** 105°C (221°F) max., -55°C (-67°F) min.
- Torque Rating:** 4.5 lb-in.
- Construction:** Mold-to-Length
- Agency Information:** cULus File E62622; CE Certified

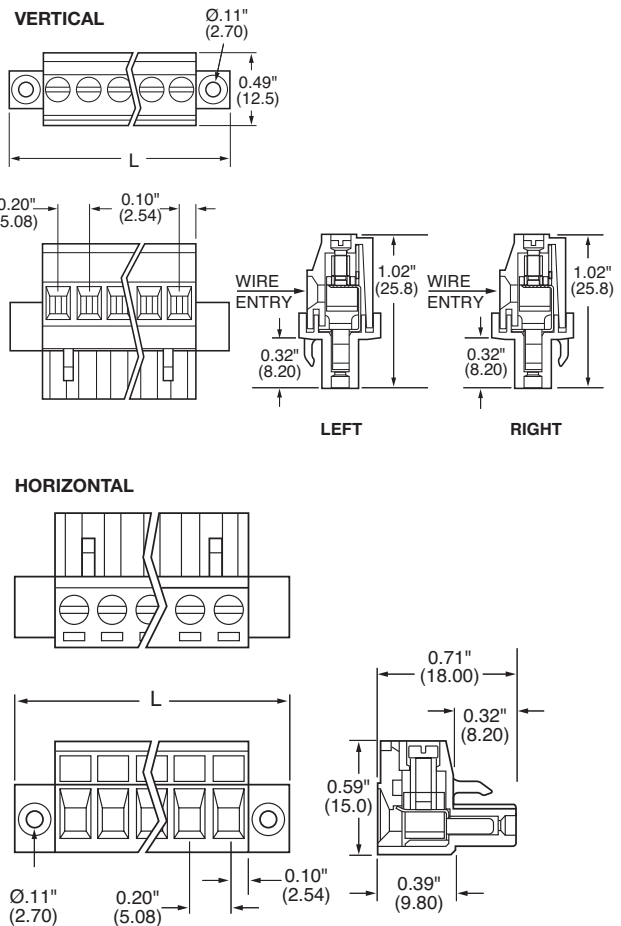


EM211803H



EM211814VL

Dimensions - mm (in)

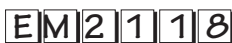


| Poles | A (mm) | A (Inch) | Poles | A (mm) | A (Inch) |
|-------|--------|----------|-------|--------|----------|
| 2 | 20.32 | 0.8 | 13 | 76.20 | 3.0 |
| 3 | 25.40 | 1.0 | 14 | 81.28 | 3.2 |
| 4 | 30.48 | 1.2 | 15 | 86.36 | 3.4 |
| 5 | 35.56 | 1.4 | 16 | 91.44 | 3.6 |
| 6 | 40.64 | 1.6 | 17 | 96.52 | 3.8 |
| 7 | 45.72 | 1.8 | 18 | 101.60 | 4.0 |
| 8 | 50.80 | 2.0 | 19 | 106.68 | 4.2 |
| 9 | 55.88 | 2.2 | 20 | 111.76 | 4.4 |
| 10 | 60.96 | 2.4 | 21 | 116.84 | 4.6 |
| 11 | 66.04 | 2.6 | 22 | 121.92 | 4.8 |
| 12 | 71.12 | 2.8 | | | |

Part Numbering System

Inches (Millimeters)

Series



of Positions



02 to 22

Orientation



V - Vertical
H - Horizontal

Mating Header: EM2218 pg. 107

EM3118 Series

Euro-Mag Terminal Blocks

Pluggable Block, Top Entry (Mates with EM2218 Series); 5.08 Centers

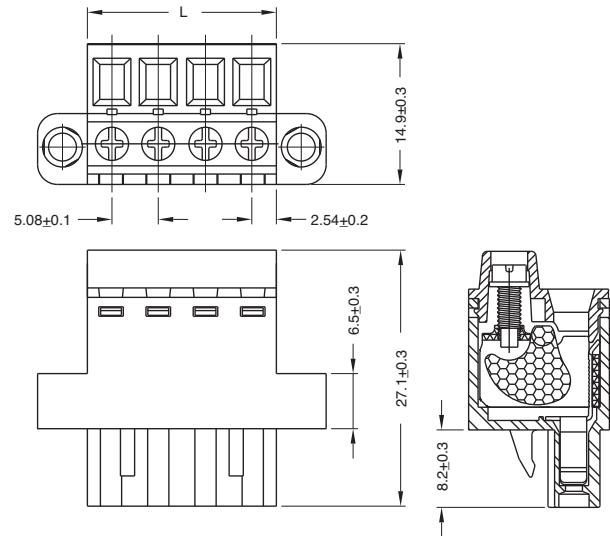
SPECIFICATIONS

- Rating:** 16A, 300V
- Center Spacing:** 0.20" (5.08mm)
- Wire Range:** #14-24 AWG
- Housing Material:** UL rated 94V0 Thermoplastic
- Contact Material:** Brass Tin-Plated
- Cage Clamp:** Brass, Nickel-Plated
- Screw Size:** M2.6 Nickel-Plated Steel
- Operating Temperature:** 105°C (221°F) max., -40°C (-40°F) min.
- Torque Rating:** 4.5 lb-in.
- Construction:** Mold-to-Length
- Agency Information:** US File E62622; CE Certified



EM311803

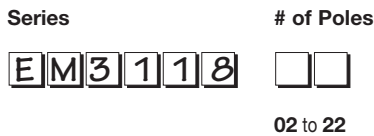
Dimensions - mm (in)



| Poles | L (mm) | Poles | L (mm) |
|-------|--------|-------|--------|
| 2 | 20.32 | 13 | 76.20 |
| 3 | 25.40 | 14 | 81.28 |
| 4 | 30.48 | 15 | 86.36 |
| 5 | 35.45 | 16 | 91.44 |
| 6 | 40.64 | 17 | 96.52 |
| 7 | 45.72 | 18 | 101.60 |
| 8 | 50.80 | 19 | 106.68 |
| 9 | 55.88 | 20 | 111.76 |
| 10 | 60.96 | 21 | 116.84 |
| 11 | 66.04 | 22 | 121.92 |
| 12 | 71.12 | | |

To convert to inches, divide by 25.4

Part Numbering System



Mating Header: EM2218 pg. 107

Terminal Blocks: Single & Double Row

EuroMag Series

Terminal Blocks: Base & Rail Mount

Power Distribution Blocks

Wire Management Products

Edge Connectors, One-Sided Boards

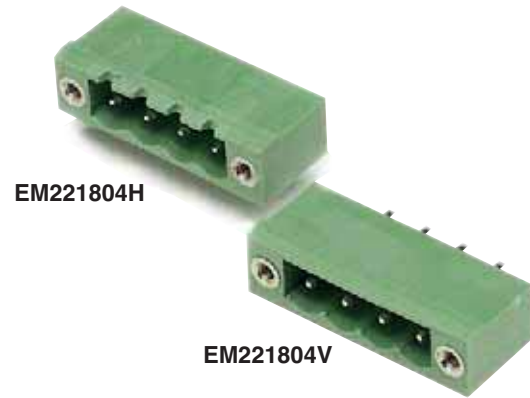
Compliance References

Series EM2218

Header with Flanges; (Mates with EM2118, EM3118 Series); 5.08 Centers

SPECIFICATIONS:

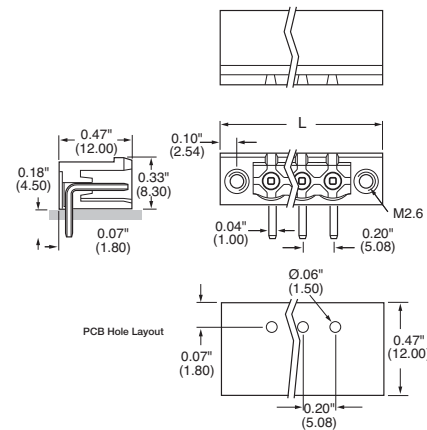
- Rating:** 12A, 300V
- Center Spacing:** 0.20" (5.08mm)
- Housing Material:** UL rated 94V0 Thermoplastic
- Contact Material:** Tin-Plated Brass
- Operating Temperature:** 105°C (221°F) max., -55°C (-67°F) min.
- Recommended PCB Hole Diameters:** 0.059" (1.50mm)
- Construction:** Mold-to-Length
- Agency Information:** cULus File E62622; CE Certified



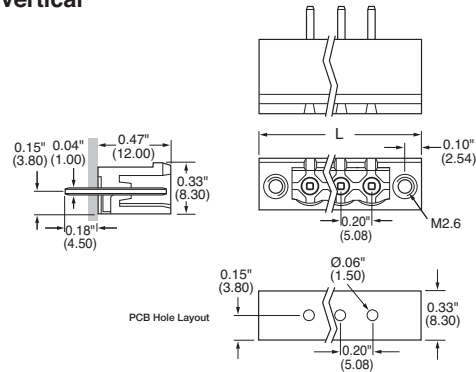
| Poles | L (mm) | L (Inch) | Poles | L (mm) | L (Inch) |
|-------|--------|----------|-------|--------|----------|
| 2 | 20.32 | 0.8 | 12 | 71.12 | 2.8 |
| 3 | 25.40 | 1.0 | 13 | 76.20 | 3.0 |
| 4 | 30.48 | 1.2 | 14 | 81.28 | 3.2 |
| 5 | 35.56 | 1.4 | 15 | 86.36 | 3.4 |
| 6 | 40.64 | 1.6 | 16 | 91.44 | 3.6 |
| 7 | 45.72 | 1.8 | 17 | 96.52 | 3.8 |
| 8 | 50.80 | 2.0 | 18 | 101.60 | 4.0 |
| 9 | 55.88 | 2.2 | 19 | 106.68 | 4.2 |
| 10 | 60.95 | 2.4 | 20 | 111.76 | 4.4 |
| 11 | 66.04 | 2.6 | | | |

Dimensions - mm (in)

Horizontal



Vertical



Part Numbering System Inches (Millimeters)

Series



of Poles



02 to 22

Orientation



H - Horizontal
V - Vertical

Mating Plugs: EM2118 pg. 105
EM3118 pg. 106

Terminal Blocks:
Single & Double Row

EuroMag Series

Terminal Blocks:
Base & Rail Mount

Power Distribution
Blocks

Wire Management
Products

Edge Connectors,
One-Sided Boards

Compliance
References

EM3516 Series

Euro-Mag Terminal Blocks

Pluggable Block (Mates with EM3526 Series);
7.62 Centers

SPECIFICATIONS

- Rating:** 16A, 300V
- Center Spacing:** 0.30" (7.62mm)
- Wire Range:** #14-24 AWG
- Housing Material:** UL rated 94V0 Thermoplastic
- Contact Material:** Tin-Plated Brass
- Cage Clamp:** Brass, Nickel-Plated
- Screw Size:** M3.0 Zinc-Plated Steel
- Operating Temperature:** 105°C (221°F) max., -40°C (-40°F) min.
- Torque Rating:** 5.0 lb-in.
- Construction:** Mold-to-Length
- Agency Information:** File E62622; CE Certified

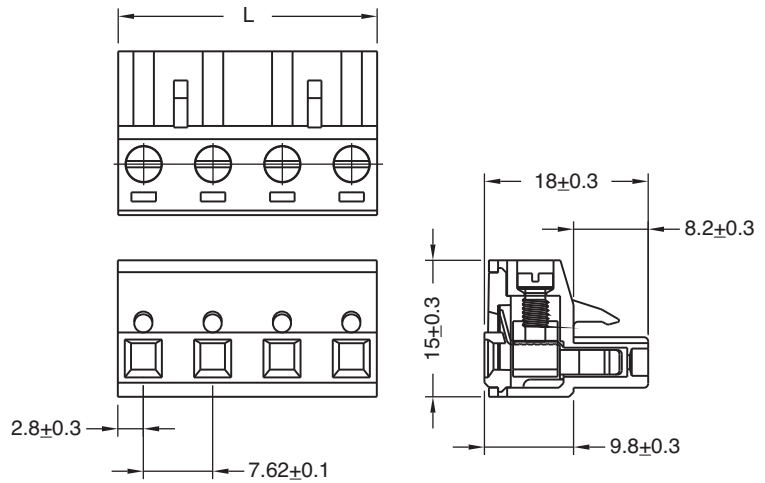


EM351603

| Poles | L (mm) |
|-------|--------|
| 2 | 8.41 |
| 3 | 12.22 |
| 4 | 16.03 |
| 5 | 19.84 |
| 6 | 23.65 |
| 7 | 27.46 |
| 8 | 31.27 |
| 9 | 35.08 |
| 10 | 38.89 |
| 11 | 42.70 |
| 12 | 46.51 |

To convert to inches, divide by 25.4

Dimensions - mm (in)



Part Numbering System

Series # of Poles

EM3516

 02 to 12

Mating Header: EM3526 pg. 109

Terminal Blocks: Single & Double Row

EuroMag Series

Terminal Blocks: Base & Rail Mount

Power Distribution Blocks

Wire Management Products

Edge Connectors, One-Sided Boards

Compliance References

EM3526 Series
Euro-Mag Terminal Blocks

Closed and Open Header (Mates with EM3516 Series); 7.62 Centers

SPECIFICATIONS

Rating: 16A, 300V

Center Spacing: 0.30" (7.62mm)

Housing Material: UL rated 94V0 Thermoplastic

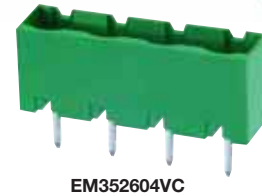
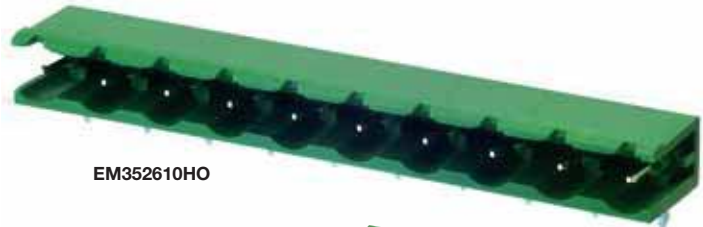
Contact Material: Brass Tin-Plated

Operating Temperature: 105°C (221°F) max., -40°C (-40°F) min.

Recommended PCB Hole Diameters: 0.055" (1.40mm)

Construction: Mold-to-Length

Agency Information:  File E62622; CE Certified



Terminal Blocks:
Single & Double Row

EuroMag Series

Terminal Blocks:
Base & Rail Mount

Power Distribution
Blocks

Wire Management
Products

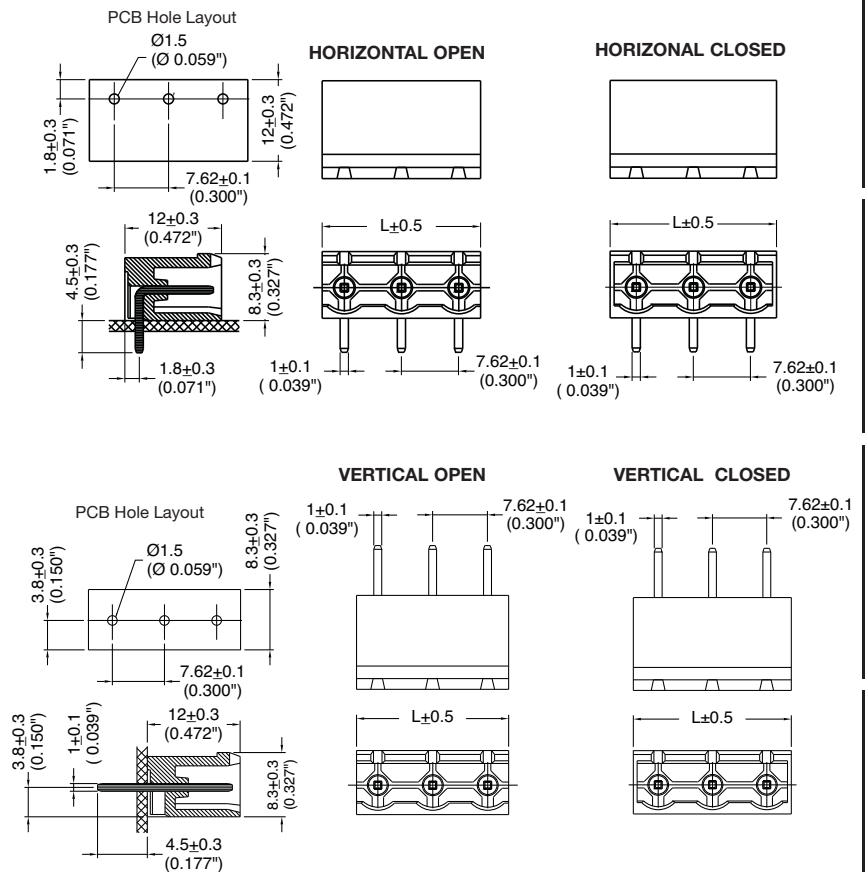
Edge Connectors,
One-Sided Boards

Compliance
References

Dimensions - mm (in)

| Poles | Open L (mm) | Closed L (mm) |
|-------|-------------|---------------|
| 2 | 13.44 | 15.24 |
| 3 | 21.06 | 22.86 |
| 4 | 28.68 | 30.48 |
| 5 | 36.60 | 38.10 |
| 6 | 43.92 | 45.72 |
| 7 | 51.54 | 53.34 |
| 8 | 59.16 | 60.96 |
| 9 | 66.78 | 68.58 |
| 10 | 74.40 | 76.20 |
| 11 | 82.02 | 83.82 |
| 12 | 89.64 | 91.44 |

To convert to inches, divide by 25.4



Part Numbering System

| Series | # of Poles | Orientation | Side Base | Mating Plug: EM3516 pg. 108 |
|---------------|--------------------------|--------------------------------|--------------------------|-----------------------------|
| EM3526 | <input type="checkbox"/> | <input type="checkbox"/> | <input type="checkbox"/> | |
| | 02 to 24 | H - horizontal V - vertical | O - open C - closed | |

EM2416 Series

Euro-Mag Terminal Blocks

Pluggable Block with Flanges (Mates with EM2426 Series); 7.62 Centers

SPECIFICATIONS

Rating: 16A, 300V

Center Spacing: 0.30" (7.62mm)

Wire Range: #14-24 AWG

Housing Material: UL rated 94V0 Thermoplastic

Contact Material: Tin-Plated Brass

Cage Clamp: Brass, Nickel-Plated

Screw Size: M3.0 Zinc-Plated Steel

Operating Temperature: 105°C (221°F) max., -40°C (-40°F) min.

Torque Rating: 5.0 lb-in.

Construction: Mold-to-Length

Agency Information: US File E62622; CE Certified

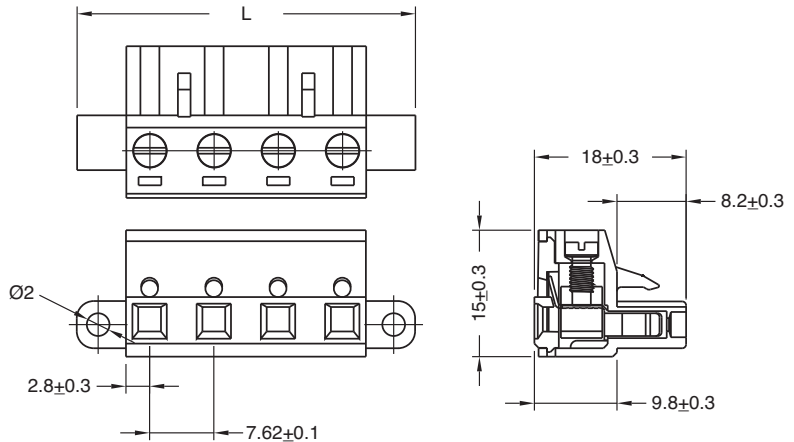


EM241602

Dimensions - mm (in)

| Poles | L (mm) |
|-------|--------|
| 2 | 24.90 |
| 3 | 32.50 |
| 4 | 40.10 |
| 5 | 47.80 |
| 6 | 55.40 |
| 7 | 63.00 |
| 8 | 70.60 |
| 9 | 78.20 |
| 10 | 89.90 |
| 11 | 93.50 |
| 12 | 101.10 |

To convert to inches, divide by 25.4



Part Numbering System

Series

of Poles

Mating Header: EM2426 pg. 111

EM2416


□ □

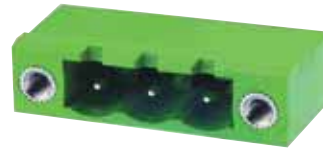
02 to 12

EM2426 Series
Euro-Mag Terminal Blocks

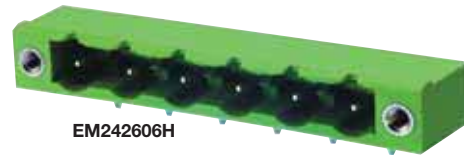
Header with Flanges (Mates with EM2416 Series); 7.62 Centers

SPECIFICATIONS

- Rating: 16A, 300V
- Center Spacing: 0.30" (7.62mm)
- Housing Material: UL rated 94V0 Thermoplastic
- Contact Material: Tin-Plated Brass
- Operating Temperature: 105°C (221°F) max., -40°C (-40°F) min.
- Recommended PCB Hole Diameters: 0.059" (1.50mm)
- Construction: Mold-to-Length
- Agency Information:  US File E62622; CE Certified



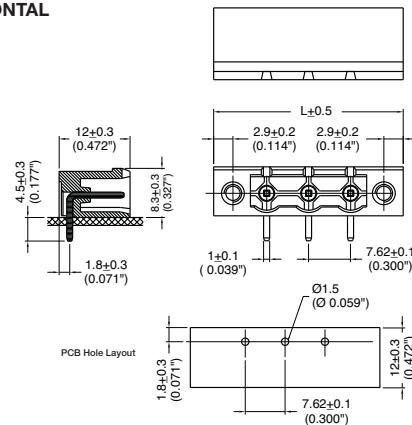
EM242603V



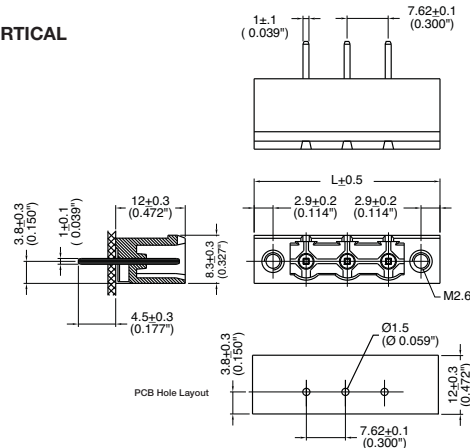
EM242606H

Dimensions - mm (in)

HORIZONTAL



VERTICAL



| Poles | L (mm) | Poles | L (mm) |
|-------|--------|-------|--------|
| 2 | 25.62 | 8 | 71.34 |
| 3 | 33.24 | 9 | 78.96 |
| 4 | 40.86 | 10 | 86.58 |
| 5 | 48.48 | 11 | 94.20 |
| 6 | 56.10 | 12 | 101.80 |
| 7 | 63.72 | | |

To convert to inches, divide by 25.4

Part Numbering System

Series



of Poles



02 to 12

Orientation



H - horizontal
V - vertical

Mating Plug: EM2416 pg. 110

EM5015 Series

Euro-Mag Terminal Blocks

Pluggable Block

(Mates with EM5025 Series); 5.00 Centers

SPECIFICATIONS

Rating: 15A, 300V

Center Spacing: 0.197" (5.00mm)

Wire Range: #16-24 AWG

Housing Material: Blue UL 94V0 Thermoplastic

Contact Material: Tin-Plated Brass

Screw Size: M2x6 Chromatized Steel

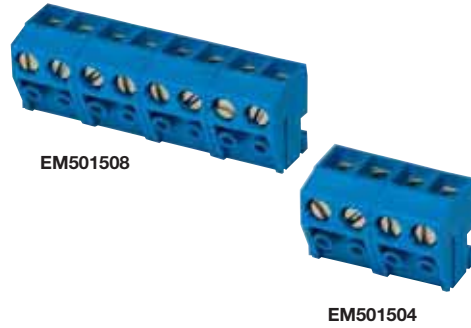
Operating Temperature: 120°C (221°F) max., -40°C (-40°F) min.

Torque Rating: 3.0 lb-in.

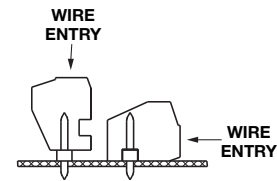
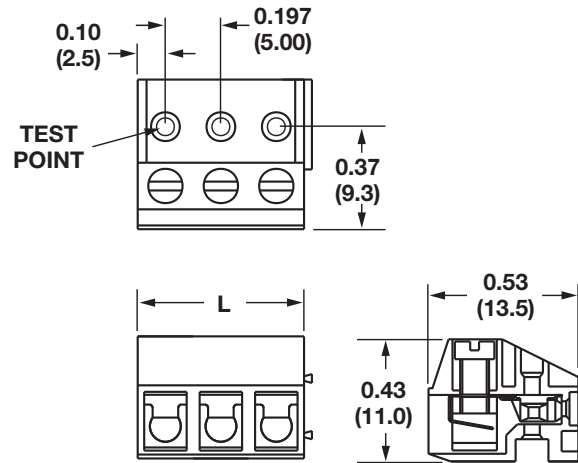
Construction: Modular design features dovetails for interlocking to achieve longer lengths

Connector Style: Spring Clamp

Agency Information: File E62622; CE Certified



Dimensions - mm (in)



Mating orientations

| Poles | L (mm) | Poles | L (mm) |
|-------|--------|-------|--------|
| 2* | 10.0 | 14 | 70.0 |
| 3* | 15.0 | 15 | 75.0 |
| 4 | 20.0 | 16 | 80.0 |
| 5 | 25.0 | 17 | 85.0 |
| 6 | 30.0 | 18 | 90.0 |
| 7 | 35.0 | 19 | 95.0 |
| 8 | 40.0 | 20 | 100.0 |
| 9 | 45.0 | 21 | 105.0 |
| 10 | 50.0 | 22 | 110.0 |
| 11 | 55.0 | 23 | 115.0 |
| 12 | 60.0 | 24 | 120.0 |
| 13 | 65.0 | | |

To convert to inches, divide by 25.4

*Mold-to-Length

Part Numbering System

Series

of Poles

Mating Header: EM5025 pg. 113



02 to 24

Terminal Blocks:
Single & Double Row

EuroMag Series

Terminal Blocks:
Base & Rail Mount

Power Distribution
Blocks

Wire Management
Products

Edge Connectors,
One-Sided Boards

Compliance
References

EM5025 Series
Euro-Mag Terminal Blocks

Header (Mates with EM5015 Series);
5.00 Centers



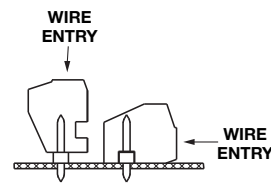
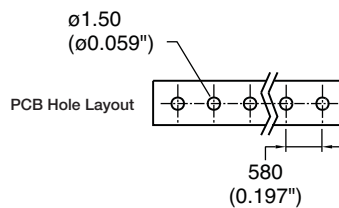
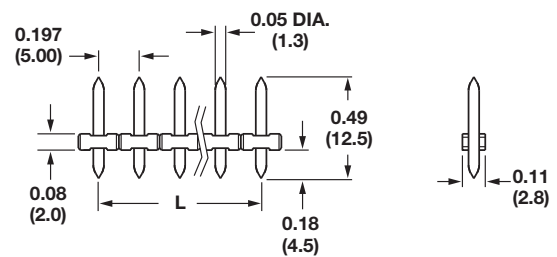
SPECIFICATIONS

- Rating:** 15A, 300V
- Center Spacing:** 0.197" (5.00mm)
- Housing Material:** Black UL 94V0 Thermoplastic
- Contact Material:** Tin-Plated Brass
- Operating Temperature:** 120°C (221°F) max., -40°C (-40°F) min.
- Recommended PCB Hole Diameters:** 0.059" (1.50mm)
- Construction:** Mold-to-Length
- Agency Information:** File E62622; CE Certified

| Poles | L (mm) | Poles | L (mm) |
|-------|--------|-------|--------|
| 2 | 10.0 | 14 | 70.0 |
| 3 | 15.0 | 15 | 75.0 |
| 4 | 20.0 | 16 | 80.0 |
| 5 | 25.0 | 17 | 85.0 |
| 6 | 30.0 | 18 | 90.0 |
| 7 | 35.0 | 19 | 95.0 |
| 8 | 40.0 | 20 | 100.0 |
| 9 | 45.0 | 21 | 105.0 |
| 10 | 50.0 | 22 | 110.0 |
| 11 | 55.0 | 23 | 115.0 |
| 12 | 60.0 | 24 | 120.0 |
| 13 | 65.0 | | |

To convert to inches, divide by 25.4

Dimensions - mm (in)



Mating orientations

Part Numbering System

Series

of Poles

Mating Plug: EM5015 pg. 112



02 to 24

Terminal Blocks:
Single & Double Row

EuroMag Series

Terminal Blocks:
Base & Rail Mount

Power Distribution
Blocks

Wire Management
Products

Edge Connectors,
One-Sided Boards

Compliance
References

EM5035 Series

Euro-Mag Terminal Blocks

Pluggable Block, Stackable
(Mates with EM5045 Series) 5.00 Centers

SPECIFICATIONS

- Rating:** 10A, 300V
- Center Spacing:** 0.197" (5.00mm)
- Wire Range:** #16-24 AWG
- Housing Material:** Black UL 94V0 Thermoplastic
- Contact Material:** Tin-Plated Brass
- Wire Protector:** Phosphor Bronze, Tin-Plated
- Screw Size:** M2.6 Chromatized Steel
- Operating Temperature:** 105°C (221°F) max., -40°C (-40°F) min.
- Torque Rating:** 3.0 lb-in.
- Construction:** Modular design features doveails for interlocking to achieve longer lengths
- Agency Information:** US File E62622; CE Certified

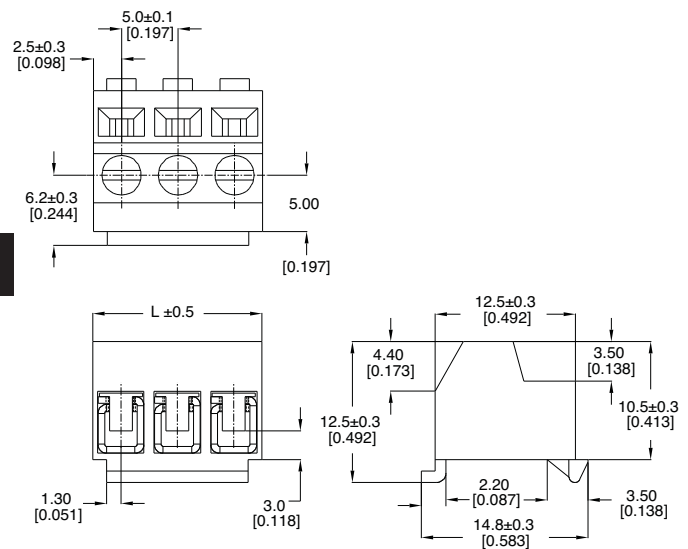


EM503503

EM503502

Shown with EM5045series header - order separately

Dimensions - mm (in)



| Poles | L (mm) | Poles | L (mm) |
|-------|--------|-------|--------|
| 2 | 10.0 | 14 | 70.0 |
| 3 | 15.0 | 15 | 75.0 |
| 4 | 20.0 | 16 | 80.0 |
| 5 | 25.0 | 17 | 85.0 |
| 6 | 30.0 | 18 | 90.0 |
| 7 | 35.0 | 19 | 95.0 |
| 8 | 40.0 | 20 | 100.0 |
| 9 | 45.0 | 21 | 105.0 |
| 10 | 50.0 | 22 | 110.0 |
| 11 | 55.0 | 23 | 115.0 |
| 12 | 60.0 | 24 | 120.0 |
| 13 | 65.0 | | |

To convert to inches, divide by 25.4

Part Numbering System



Mating Plug: EM5045 pg. 115

Terminal Blocks:
Single & Double Row

EuroMag Series

Terminal Blocks:
Base & Rail Mount

Power Distribution
Blocks

Wire Management
Products

Edge Connectors,
One-Sided Boards

Compliance
References

**EM5045 Series
Euro-Mag Terminal Blocks**

Header (Mates with EM5035 Series);
5.00 Centers

SPECIFICATIONS

Rating: 10A, 300V

Center Spacing: 0.197" (5.00mm)

Housing Material: Black UL 94V0 Thermoplastic

Contact Material: Tin-Plated Brass

Operating Temperature: 105°C (221°F) max., -40°C (-40°F) min.

Recommended PCB Hole Diameters: 0.059" (1.50mm)

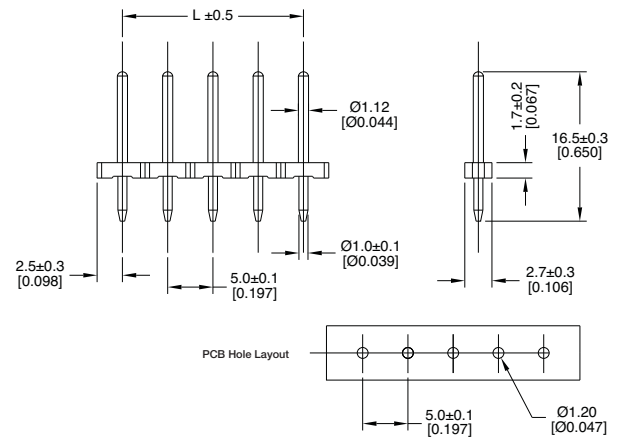
Construction: Mold-to-Length

Agency Information:  File E62622; CE Certified



EM504513

Dimensions - mm (in)



| Poles | L (mm) | Poles | L (mm) |
|-------|--------|-------|--------|
| 2 | 5.0 | 14 | 65.0 |
| 3 | 10.0 | 15 | 70.0 |
| 4 | 15.0 | 16 | 75.0 |
| 5 | 20.0 | 17 | 80.0 |
| 6 | 25.0 | 18 | 85.0 |
| 7 | 30.0 | 19 | 90.0 |
| 8 | 35.0 | 20 | 95.0 |
| 9 | 40.0 | 21 | 100.0 |
| 10 | 45.0 | 22 | 105.0 |
| 11 | 50.0 | 23 | 110.0 |
| 12 | 55.0 | 24 | 115.0 |
| 13 | 60.0 | | |

To convert to inches, divide by 25.4

Part Numbering System

Series

of Poles

EM5045

02 to 24

Terminal Blocks:
Single & Double Row

EuroMag Series

Terminal Blocks:
Base & Rail Mount

Power Distribution
Blocks

Wire Management
Products

Edge Connectors,
One-Sided Boards

Compliance
References

Series NDN Rail Mount Terminal Blocks

35mm DIN Rail Compatible

SPECIFICATIONS

High Density Design: Up to 48 circuits per foot

Clamping Collar: Secures wires

Large, Captive, Wire-Ready Screws: Speeds assembly

Snap-on Installation to DIN Rail: Fast, easy assembly

Fully Shielded Construction: 600V spacings

Unique One-Piece Construction: Increases reliability

Thermoplastic Moldings: Strong and impact resistant

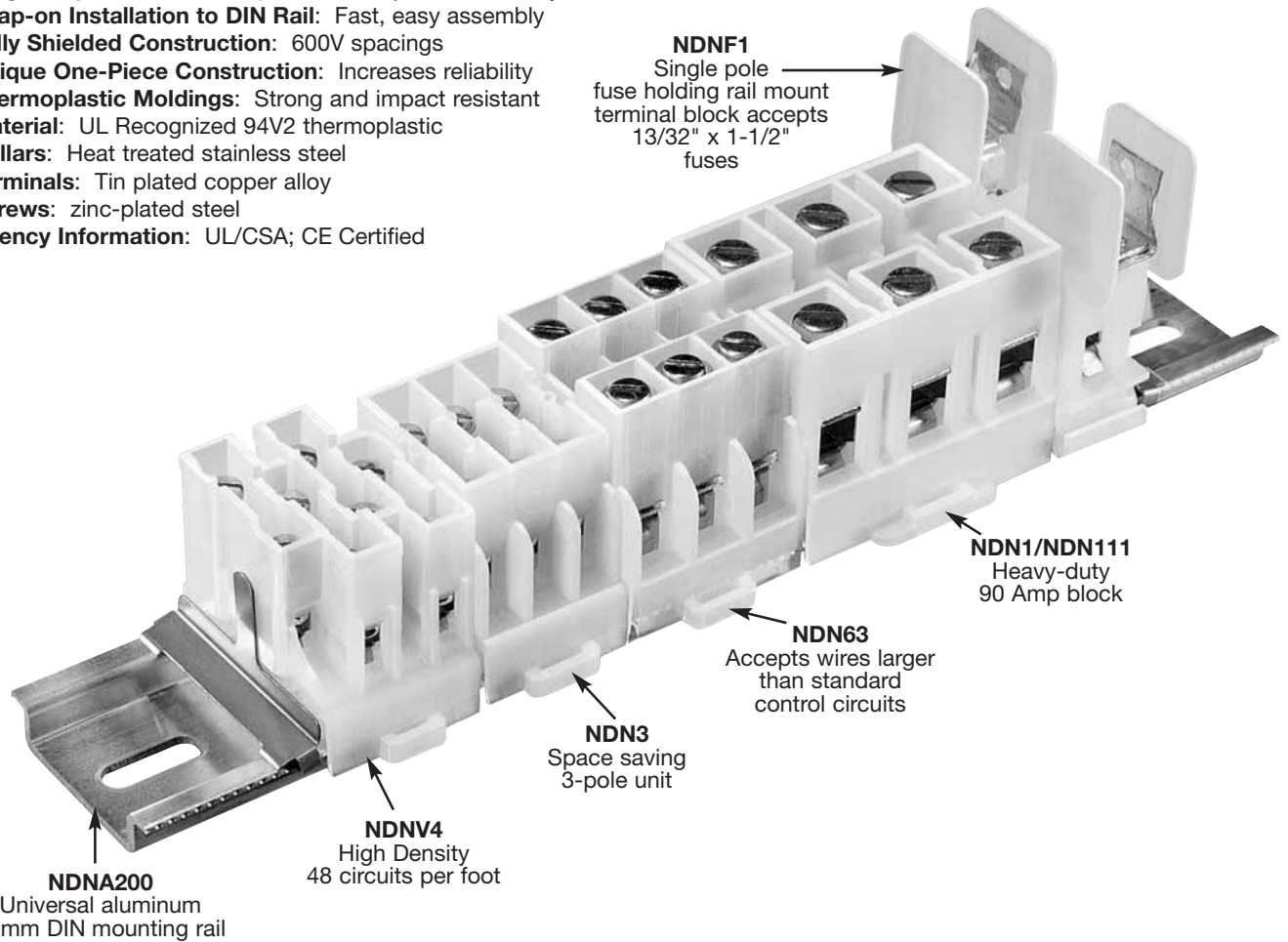
Material: UL Recognized 94V2 thermoplastic

Collars: Heat treated stainless steel

Terminals: Tin plated copper alloy

Screws: zinc-plated steel

Agency Information: UL/CSA; CE Certified



NDNF1
Single pole
fuse holding rail mount
terminal block accepts
13/32" x 1-1/2"
fuses

NDN1/NDN111
Heavy-duty
90 Amp block

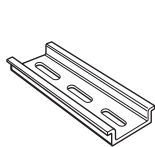
NDN63
Accepts wires larger
than standard
control circuits

NDN3
Space saving
3-pole unit

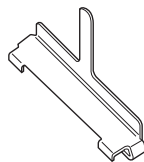
NDNV4
High Density
48 circuits per foot

NDNA200
Universal aluminum
35mm DIN mounting rail

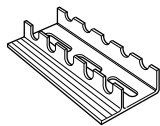
Series NDN Terminal Block Accessories



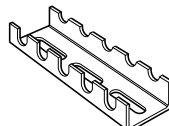
NDNA
35mm DIN Rail
Aluminum
NDNA 100 1 meter
NDNA 200 2 meters



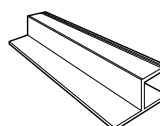
NDNAS
35mm DIN Rail
End Stop



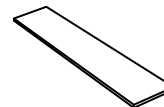
NFTA
C-Rail
Aluminum
Lengths to 72"



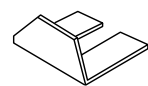
NRA
C-Rail
Low Profile
No Flange
Aluminum
Lengths to 37-1/2"



SOA72
72" Long
Stand-Off Channel
For C-Rail



MARKING TAPE
See Series
Specifications



JUMPERS
See Series
Specifications

Terminal Blocks:
Single & Double Row

EuroMlag Series

Terminal Blocks:
Base & Rail Mount

Power Distribution
Blocks

Wire Management
Products

Edge Connectors,
One-Sided Boards

Compliance
References

Rail Mount Terminal Blocks

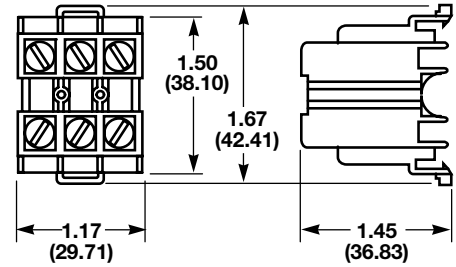
NDN63

SPECIFICATIONS:

- Rating: 65A, 600V
- Center Spacing: 0.375" (9.52mm)
- Number of Poles: 3
- Circuits Per Foot: 30
- Circuit Jumper: JN3, 2 circuits
- Wire Range: AWG #6-18 CU
- Screw Size: #10-32
- Mounting Options: 35mm DIN rail, C-rail
- Marking Tape: MT12-1-2
- Torque Rating: 35 lb-in
- Operating Temperature: 105°C
- Agency Information: UL File E62622, CSA File 15364



Dimensions - in (mm)



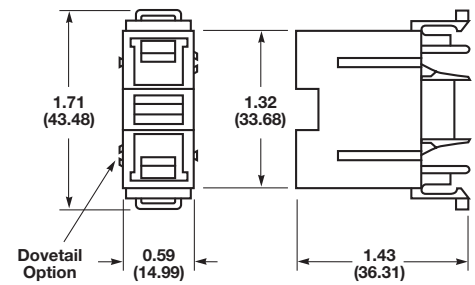
NDN1

SPECIFICATIONS:

- Rating: 90A, 600V
- Center Spacing: 0.635" (16.13mm)
- Number of Poles: 1
- Circuits Per Foot: 18
- Wire Range: AWG #2-18 CU
- Screw Size: #1/4-28
- Mounting Options: 35mm DIN rail, C-rail
- * Dove-tail option is available for mounting side-by-side.
- Order part no. NDN1A-WH
- Marking Tape: MT12-1-2
- Torque Rating: 32 lb-in
- Operating Temperature: 105°C
- Agency Information: UL File E62622, CSA File 47235



Dimensions - in (mm)



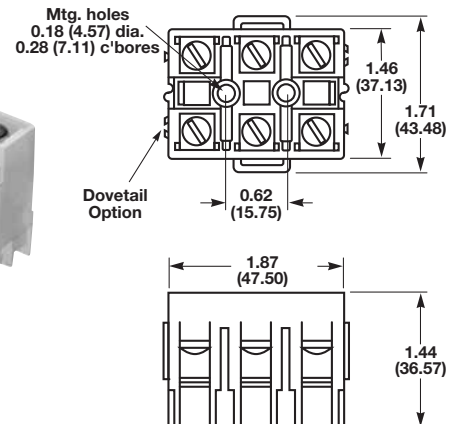
NDN111

SPECIFICATIONS:

- Rating: 90A, 600V
- Center Spacing: 0.635" (16.13mm)
- Number of Poles: 3
- Circuits Per Foot: 18
- Circuit Jumper: JN1, 2 circuits
- Wire Range: AWG #2-18 CU
- Screw Size: #1/4-28
- Mounting Options: 35mm DIN rail, C-rail, Base Mount
- * Dove-tail option is available for mounting side-by-side.
- Order part no. NDN111-A
- Marking Tape: MT12-1-2
- Torque Rating: 32 lb-in
- Operating Temperature: 105°C
- Agency Information: UL File E62622, CSA File 47235



Dimensions - in (mm)



Rail Mount Terminal Blocks

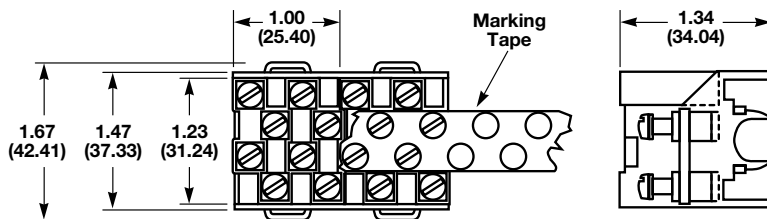
NDNV4

SPECIFICATIONS:

- Rating:** NDNV4 30A, 600V
- Center Spacing:** 0.25" (6.35mm)
- Number of Poles:** 4
- Circuits Per Foot:** 48
- Circuit Jumper:** JN4, 4 circuits
- Wire Range:** AWG #10-22 CU
- Screw Size:** #6-32
- Mounting Options:** 35mm DIN rail, C-rail
- Marking Tape:** MTC6
- Torque Rating:** 18 lb-in
- Operating Temperature:** 105°C
- Agency Information:** UL File E62622, CSA File 15364



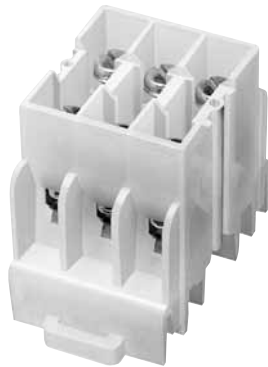
Dimensions - in (mm)



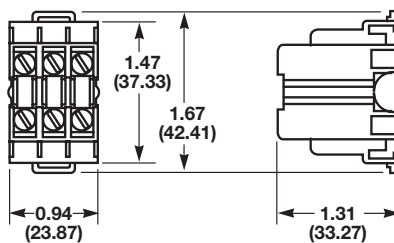
NDN3

SPECIFICATIONS:

- Rating:** 30A - field wiring; 40A - factory wiring
600V
- Center Spacing:** 0.300" (7.62mm)
- Number of Poles:** 3
- Circuits Per Foot:** 38
- Circuit Jumper:** JNDN3, 2 circuits
- Wire Range:** AWG #10-22 CU
- Screw Size:** #6-32
- Mounting Options:** 35mm DIN rail, C-rail
- Marking Tape:** MT12-1-2
- Torque Rating:** 18 lb-in
- Operating Temperature:** 105°C
- Agency Information:** UL File E62622, CSA File 15364



Dimensions - in (mm)



Terminal Blocks: Single & Double Row

EuroMag Series

Terminal Blocks: Base & Rail Mount

Power Distribution Blocks

Wire Management Products

Edge Connectors, One-Sided Boards

Compliance References

Rail Mount Terminal Blocks

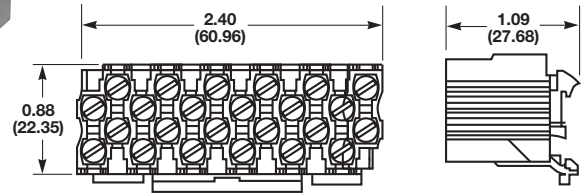
N512

SPECIFICATIONS:

Rating: 5A, 600V; 20A, 300V
Center Spacing: 0.197" (5.00mm)
Number of Poles: 12
Circuits Per Foot: 60
Circuit Jumper: JN512, 12 circuits
Wire Range: AWG #12-22 CU
Screw Size: #4-48
Mounting Options: C-rail, 15mm DIN rail
Marking Tape: AT512
Torque Rating: 12 lb-in
Operating Temperature: 105°C
Agency Information: CSA File 15364



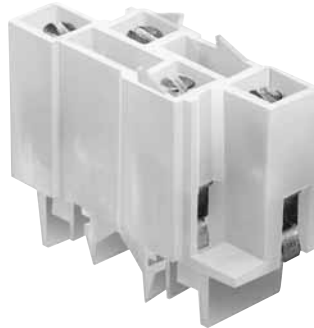
Dimensions - in (mm)



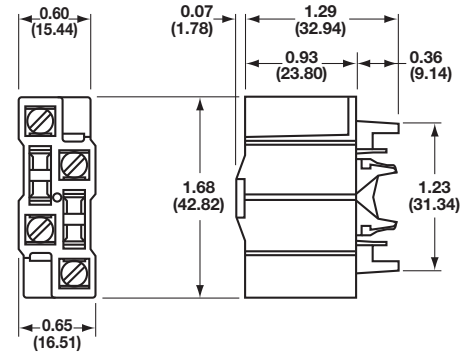
NFT2

SPECIFICATIONS:

Rating: 40A, 600V;
 55A Factory Wired
Center Spacing: 0.281" (7.13mm)
Number of Poles: 2
Circuits Per Foot: 38
Circuit Jumper: JN2, 2 circuits
Wire Range: AWG #8-22 CU
Screw Size: #8-32
Mounting Options: C-rail
Marking Tape: MT12-1-2
Torque Rating: 18 lb-in
Operating Temperature: 105°C
Agency Information: UL File E62622, CSA File 15364



Dimensions - in (mm)



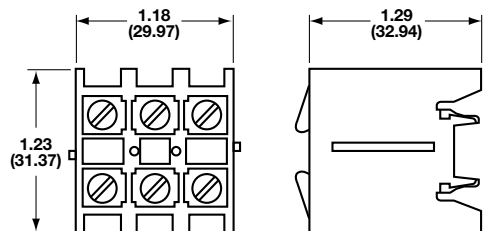
NFT3

SPECIFICATIONS:

Rating: 40A, 600V
 55A Factory Wired
Center Spacing: 0.390" (9.91 mm)
Number of Poles: 3
Circuits Per Foot: 28
Circuit Jumper: JN3, 2 circuits
Wire Range: AWG #8-22 CU
Screw Size: #8-32
Mounting Options: C-rail
Marking Tape: MT12-1-2
Torque Rating: 18 lb-in
Operating Temperature: 105°C
Agency Information: UL File E62622, CSA File 47235



Dimensions - in (mm)



Terminal Blocks:
Single & Double Row

EuroMag Series

Terminal Blocks:
Base & Rail Mount

Power Distribution
Blocks

Wire Management
Products

Edge Connectors,
One-Sided Boards

Compliance
References

Rail & Base Mount Terminal Blocks

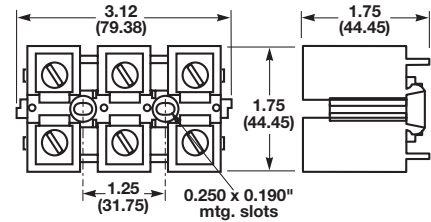
NC3

SPECIFICATIONS:

- Rating: 175A, 600V
- Center Spacing: 1.06" (26.92mm)
- Number of Poles: 3
- Circuits Per Foot: 11
- Wire Range: 2/0-#14 CU/AL
- Screw Size: 5/16-24
- Mounting Options: C-rail, Base Mount
- Marking Tape: MT12-1-2
- Torque Rating: 45 lb-in
- Operating Temperature: 105°C
- Agency Information: UL File E62622, CSA File 15364



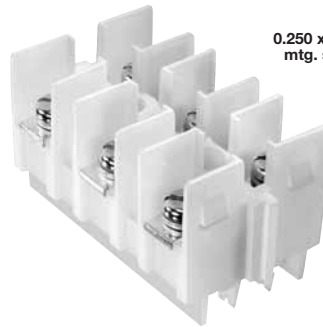
Dimensions - in (mm)



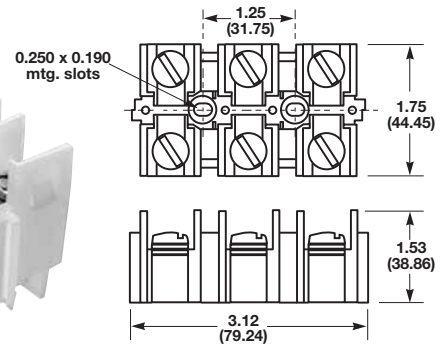
NSE3

SPECIFICATIONS:

- Rating: 115A, 600V
- Center Spacing: 1.06" (26.92mm)
- Number of Poles: 3
- Circuits Per Foot: 11
- Circuit Jumper: JNSE3, 2 circuits
- Wire Range: For use with wire crimped to ring terminal
- Screw Size: #1/4-28
- Mounting Options: C-rail, Base Mount
- Marking Tape: MT12-1-2
- Torque Rating: 32 lb-in
- Operating Temperature: 105°C
- Agency Information: UL File E62622, CSA File 15364



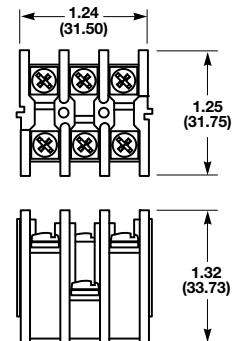
Dimensions - in (mm)



NSS3

SPECIFICATIONS:

- Rating: 30A, 600V
- Center Spacing: 0.385" (9.77mm)
- Number of Poles: 3
- Circuits Per Foot: 28
- Circuit Jumper: JNSS3, 2 circuits
- Wire Range: For use with wire crimped to ring terminal
- Screw Size: #6-32
- Mounting Options: C-rail
- Marking Tape: MT12-1-2
- Torque Rating: 12 lb-in
- Operating Temperature: 105°C
- Agency Information: UL File E62622, CSA File 15364



Deployable Rail Mount Terminal Blocks

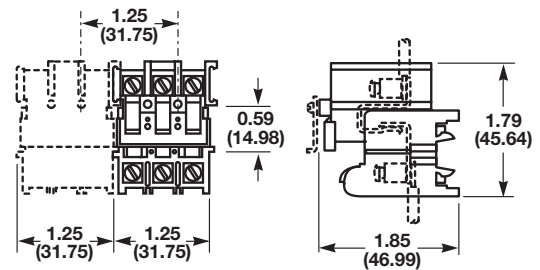
PLU3

SPECIFICATIONS:

Rating: 40A, 600V
Center Spacing: 0.390" (9.91mm)
Number of Poles: 3
Circuits Per Foot: 28
Circuit Jumper: JN3, 2 circuits
Wire Range: AWG #8-22 CU
Screw Size: #8-32
Mounting Options: C-rail, Stackable
Marking Tape: MT12-1-2
Torque Rating: 18 lb-in
Operating Temperature: 105°C
Agency Information: UL File E62622, CSA File 15364



Dimensions - in (mm)



PLU1 Series

SPECIFICATIONS:

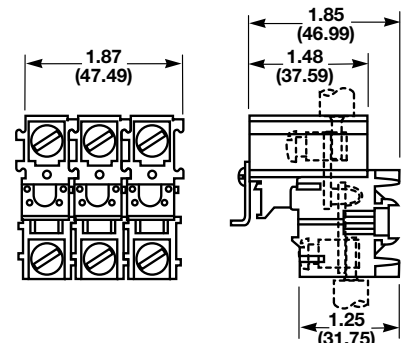
Rating: 70A, 600V
Center Spacing: 0.625" (15.88mm)
Number of Poles: 1-3
Part Numbers:

- PLU1 (1-pole)
- PLU11 (2-pole)
- PLU111 (3-pole)

Circuits Per Foot: 19
Circuit Jumper: JN1, 2 circuits
Wire Range: AWG #4-18 CU
Screw Size: #1/4-28
Mounting Options: C-rail, Stackable
Marking Tape: MT12-1-2
Torque Rating: 32 lb-in
Operating Temperature: 105°C
Agency Information: UL File E62622, CSA File 15364



Dimensions - in (mm)



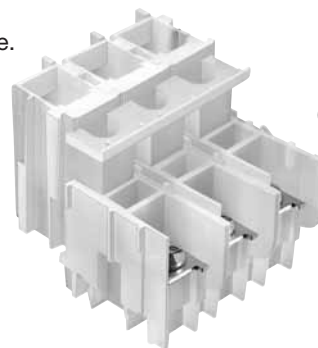
PSU1 Series

SPECIFICATIONS:

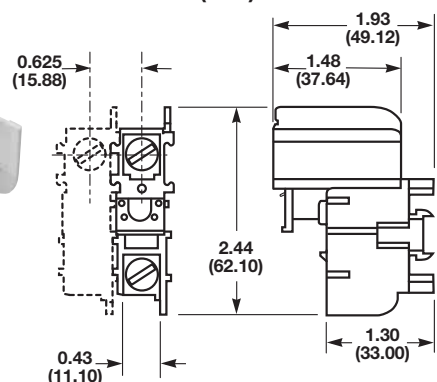
Rating: 45A*, 600V
 *45A rating achieved with ring terminal crimped to wire.
Center Spacing: 0.625" (15.88 mm)
Number of Poles: 1-3
Part Number:

- PSU1 (1-pole)
- PSU11 (2-pole)
- PSU111 (3-pole)

Circuits Per Foot: 19
Wire Range: For use with crimp on connectors only.
Screw Size: #10-32
Mounting Options: C-rail, Stackable
Marking Tape: MT12-1-2
Torque Rating: 24 lb-in
Operating Temperature: 105°C
Agency Information: UL File E62622, CSA File 15364



Dimensions - in (mm)



Terminal Blocks:
Single & Double Row

EuroMag Series

Terminal Blocks:
Base & Rail Mount

Power Distribution
Blocks

Wire Management
Products

Edge Connectors,
One-Sided Boards

Compliance
References

Fuse Holding Rail Mount Terminal Blocks

NDNF1

SPECIFICATIONS:

Rating: 30A, 600V; UL/CSA

Number Of Poles: 1

Fuse Size: 13/32" x 1-1/2"

Circuit Jumper: JF1, 2 Circuits

Wire Range: AWG #8-22 CU

Mounting Options: 35mm DIN rail, C-rail

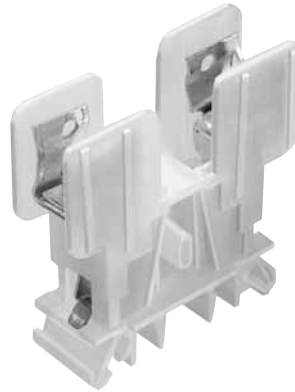
Fuse Pullers: • PF1 (standard)
• neon or incandescent bulb

*LPF1 (lighted neon or incandescent bulb).

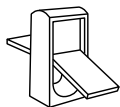
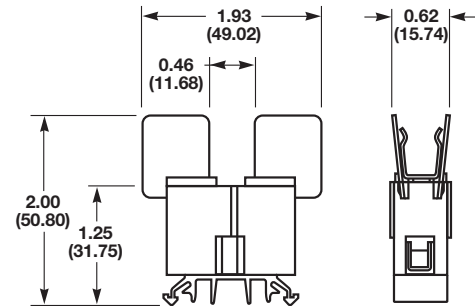
Torque Rating: 18 lb-in

Operating Temperature: 105°C

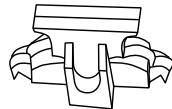
Agency Information: CSA File 15364



Dimensions - in (mm)



PF1
Fuse Puller



LPF1
Lighted Fuse Puller

*Visual indicator for open fuse is neon or incandescent bulb, depending on voltage. Specify voltage required.

NDND1 non-fused terminal block enables isolation of individual circuits for testing

NDNFD1 fused terminal block

NDNLFD1 fused terminal block with visual indicator* for open fuse

SPECIFICATIONS:

Ratings: NDND1: 30A, 600V

NDNFD1: 15A, 600V

NDNLFD1: 15A, 600V

Number of Poles: 1

Fuse size: 1/4" x 1-1/4"

Circuit Jumper: JF1, 2 circuits

Wire Range: AWG #8-22 CU

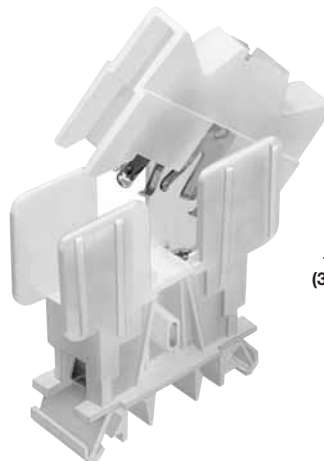
Mounting Options: 35mm DIN rail, C-rail

Marking Tape: MT12-1-2

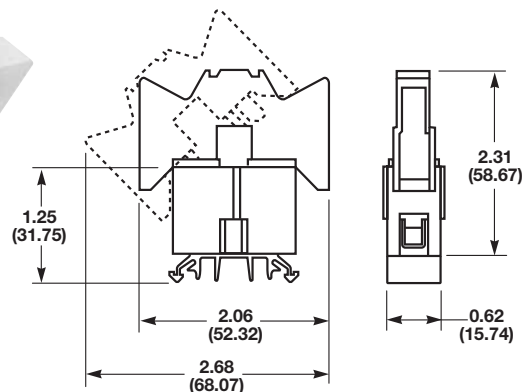
Torque Rating: 18 lb-in

Operating Temperature: 105°C

Agency Information: CSA File 15364



Dimensions - in (mm)



*Visual indicator for open fuse is neon or incandescent bulb, depending on voltage. Specify voltage required.

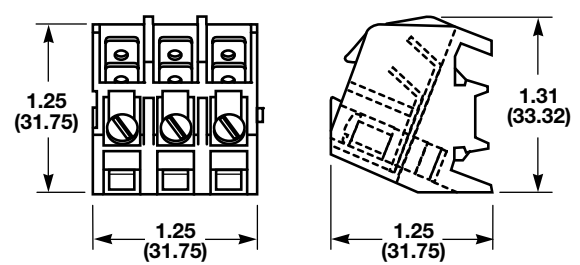
Quick Connect Terminal Blocks

NTQ23

SPECIFICATIONS:
 Rating: 40A, 600V
 Center Spacing: 0.390" (9.91mm)
 Number of Poles: 3
 Circuits Per Foot: 28
 Wire Range: AWG #8-22 CU
 Screw Size: #8-32
 Quick Connects: 0.250" x 0.031"
 Mounting Options: C-rail
 Marking Tape: MT12-1-2
 Torque Rating: 18 lb-in
 Operating Temperature: 105°C

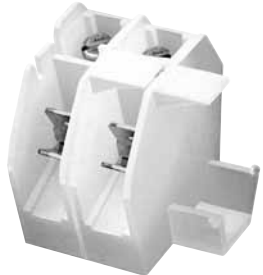


Dimensions - in (mm)



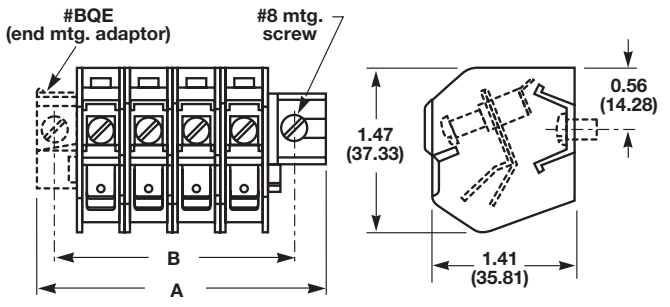
BNQ21

SPECIFICATIONS:
 Rating: 40A, 600V
 Center Spacing: 0.437" (11.10mm)
 Number of Poles: 1
 Circuits Per Foot: 24
 Wire Range: AWG #8-22 CU
 Screw Size: #8-32
 Quick Connects: 0.250" x 0.031"
 Mounting Options: Base Mount Stackable; End Piece (Part No. BQE) is required for mounting. Mounting screws recommended every 8 circuits.
 Torque Rating: 18 lb-in
 Operating Temperature: 105°C
 Screw Size: #8-32
 Agency Information: UL File E62622, CSA File 15364



BQE
End Mounting Adapter Required

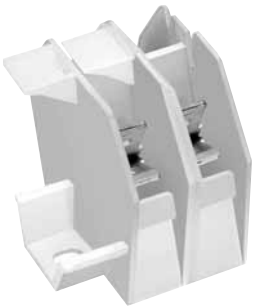
Dimensions - in (mm)



| A | B |
|------------------------|---------------|
| (N+2) x 0.437 | (N+1) x 0.437 |
| N = Number of circuits | |

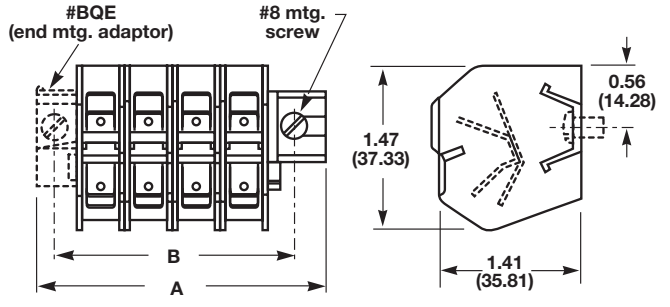
BQQ41

SPECIFICATIONS:
 Rating: 30A, 600V
 Center Spacing: 0.437" (11.10mm)
 Number of Poles: 1
 Circuits Per Foot: 24
 Wire Range: For use with quick connect terminals only.
 Quick Connects: 0.250" x 0.031"
 Mounting Options: Base Mount, Stackable; End Piece (Part No. BQE) is required for mounting. Mounting screws recommended every 8 circuits.
 Operating Temperature: 105°C
 Agency Information: UL File E62622, CSA File 15364



BQE
End Mounting Adapter Required

Dimensions - in (mm)



| A | B |
|------------------------|---------------|
| (N+2) x 0.437 | (N+1) x 0.437 |
| N = Number of circuits | |

Base Mount Terminal Blocks

KT3

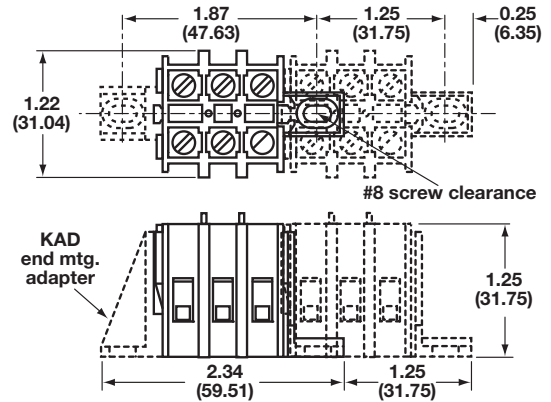
SPECIFICATIONS:

Rating: 40A, 600V
Center Spacing: 0.390" (9.91mm)
Number of Poles: 3
Circuits Per Foot: 28
Circuit Jumper: JN3, 2 circuits
Wire Range: AWG #8-22 CU
Screw Size: #8-32
Mounting Options: Base Mount, Stackable
Marking Tape: MT12-1-2
Torque Rating: 18 lb-in
Operating Temperature: 105°C
Agency Information: UL File E62622, CSA File 15364



KAD
 End Mount Adapter Required
 KT3-A01 includes KAD

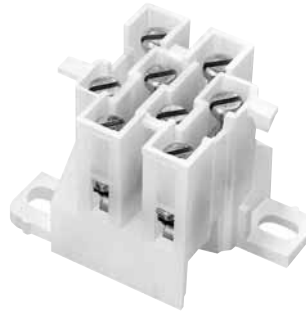
Dimensions - in (mm)



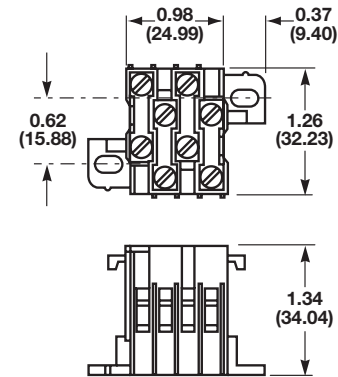
KT4

SPECIFICATIONS:

Rating: 30A, 600V
Center Spacing: 0.25" (6.35mm)
Number of Poles: 4
Part Number:
 •KT4-WH-A
 •KT4-WH-B
Note: When used in series must order A and B



Dimensions - in (mm)



Circuits Per Foot: 48
Circuit Jumper: JN4, 4 circuits
Wire Range: AWG #10-22 CU
Screw Size: #6-32
Mounting Options: Base Mount
 Mounting screws recommended every 12 circuits
Marking Tape: MTC6
Torque Rating: 18 lb-in
Operating Temperature: 105°C
Agency Information: UL File E62622, CSA File 15364

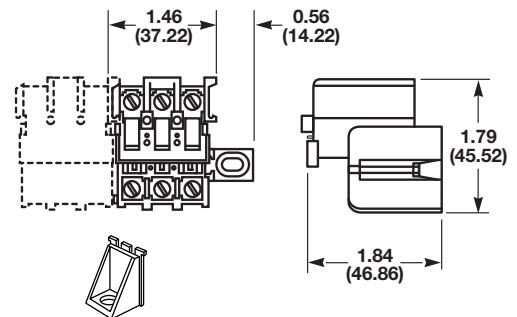
PLK3

SPECIFICATIONS:

Rating: 40A, 600V
Center Spacing: 0.39" (9.91mm)
Number of Poles: 3
Circuits Per Foot: 28
Circuit Jumper: JN3, 2 circuits
Wire Range: AWG #8-22 CU
Screw Size: #8-32
Mounting Options: Base Mount, Stackable; End Piece (Part No. KAD) is required for mounting. Mounting screws recommended every 15 circuits.
Marking Tape: MT12-1-2
Torque Rating: 18 lb-in
Operating Temperature: 105°C
Agency Information: UL File E62622



Dimensions - in (mm)



KAD
 End Mount Adapter Required

Terminal Blocks:
 Single & Double Row

EuroMag Series

Terminal Blocks:
 Base & Rail Mount

Power Distribution
 Blocks

Wire Management
 Products

Edge Connectors,
 One-Sided Boards

Compliance
 References

Series 15188

Disconnect Terminal Blocks for 35mm DIN Rail Mount

SPECIFICATIONS

Rating: 30A, 600V*

Center Spacing: 0.375" (9.52mm)

Wire Range: #12-16 AGW CU

Screw Size: #6-32 zinc-plated phillot

Number of Poles: 3- and 4-pole only

Mounting: 35mm DIN Rail

Optional End Stop NDNAS

Jumpers: 2- through 4-pole available

Materials: Molded Base: UL rated 94V-2 thermoplastic.

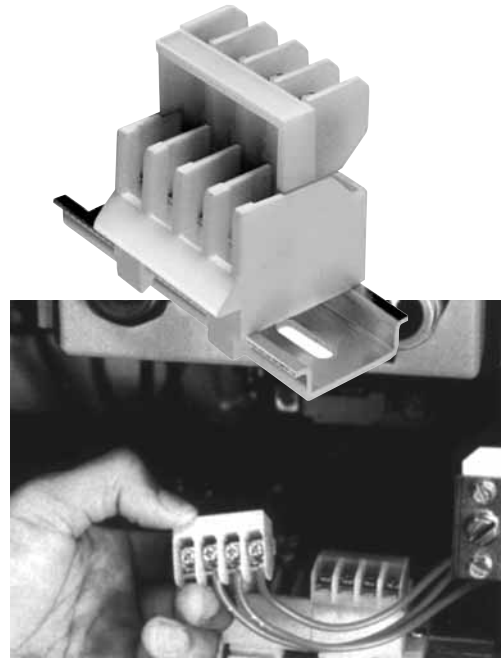
Tin plated copper alloy contacts.

Torque Rating: 12 lb-in

Operating Temperature: 105°C

Agency Information: UL File E62622, CSA File 47235

* 30A rating achieved with #10AWG wire crimped to ring terminal; 25A without.



Terminal Blocks:
Single & Double Row

EuroMag Series

Terminal Blocks:
Base & Rail Mount

Power Distribution
Blocks

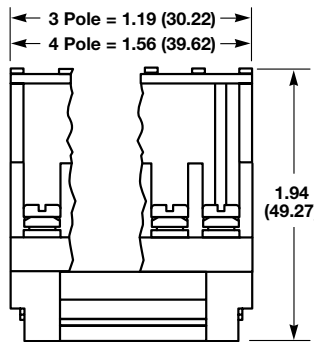
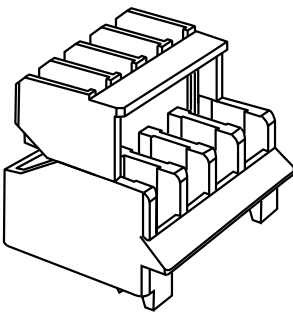
Wire Management
Products

Edge Connectors,
One-Sided Boards

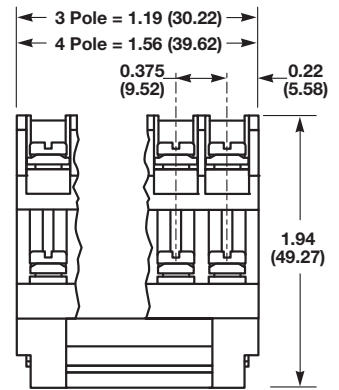
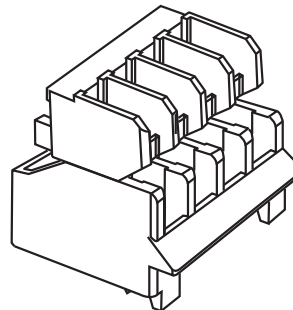
Compliance
References

Dimensions - in (mm)

IN-LINE WIRING DIRECTION



REVERSE WIRING DIRECTION



Part Numbering System

Series



Poles



3 to 4

Wiring



blank - inline
R - reverse



S - locking snap

Terminal Blocks:
Single & Double Row

EuroMag Series

Terminal Blocks:
Base & Rail Mount

Power Distribution
Blocks

Wire Management
Products

Edge Connectors,
One-Sided Boards

Compliance
References

15288 Series

Disconnect Terminal Blocks
for DIN Rail Mount

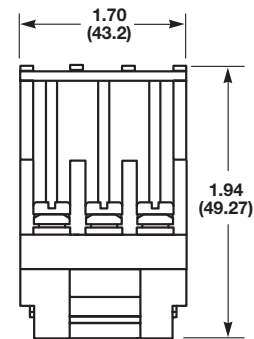
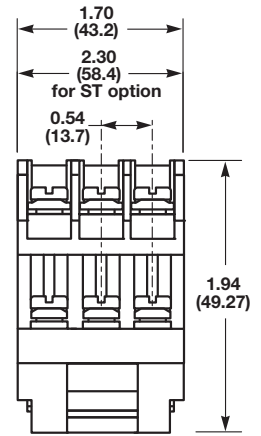
SPECIFICATIONS

- Rating:** 65A, 600V*
- Center Spacing:** 0.54" (13.7mm)
- Wire Range:** #6-16 AWG
- Screw Size:** #8-32 zinc-plated philslot
- Number of Poles:** 3-pole only
- Mounting:** 35mm DIN Rail
- Optional Accessories:** Optional End Stop NDNAS (order optional accessories separately)
- Materials:** Molded Base: UL rated 94V2 thermoplastic. Tin-plated copper alloy contacts.
- Torque Rating:** 20 lb-in (30 lb-in for 8AWG bare wire)
- Operating Temperature:** 105°C (221°F)
- Agency Information:** UL File E62622

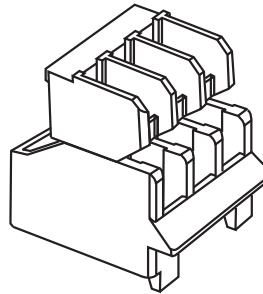
*CSA rating achieved with #6AWG wire crimped to ring terminal 50A without.



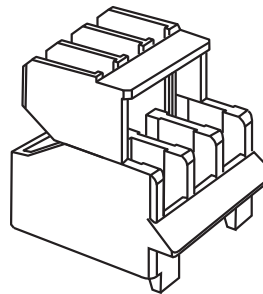
Dimensions - in (mm)



REVERSE WIRING DIRECTION



INLINE WIRING DIRECTION



Part Numbering System

Series



Wiring



blank - inline
R - reverse

Options



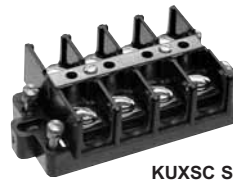
S - snap
ST - screw together
SS - solid DIN rail snap

Series KU

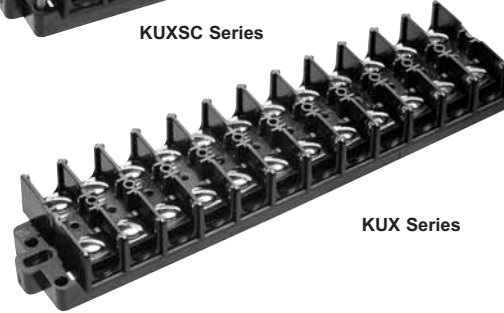
Base Mount Double Row Terminal Blocks

SPECIFICATIONS

- Rating:** 60A, 600V*
- Center Spacing:** 0.625" (15.88mm)
- Number of Poles:** 2- to 12-poles
- Wire Range:** #6-22 AWG CU
- Screw Size:** #10-32
- Torque Rating:** 20 lb-in.
- Distance Between Barriers:** 0.437" (11.09mm)
- Mounting:** Base mount
- Material:** Molded base: Black, UL rated 94V1 Nuclear Grade Noryl
- Terminal plating:** Nickel over brass
- Operating Temperature:** 105°C max.
- Agency Information:** UL File E62622, CSA File 47235



KUXSC Series



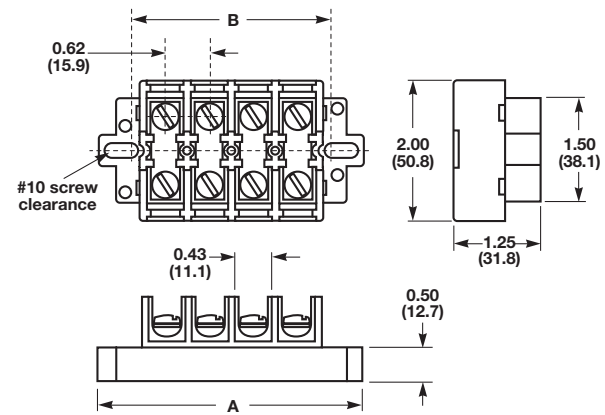
KUX Series

* 60A rating achieved with #6 copper wire crimped to ring terminal.

| Poles | A | KU | B | KUX only A |
|-------|------|----|------|---------------|
| 02 | 2.50 | | 1.62 | 2.00 |
| 03 | 3.12 | | 2.25 | 2.62 |
| 04 | 3.75 | | 2.87 | 3.25 |
| 05 | 4.37 | | 3.50 | 3.87 |
| 06 | 5.00 | | 4.12 | 4.50 |
| 07 | 5.62 | | 4.75 | 5.12 |
| 08 | 6.25 | | 5.37 | 5.75 |
| 09 | 6.87 | | 6.00 | 6.37 |
| 10 | 7.50 | | 6.62 | 7.00 |
| 11 | 8.12 | | 7.25 | 7.62 |
| 12 | 8.75 | | 7.87 | 8.25 |

* Dimensions in inches. To convert to millimeters, multiply by 25.4.

Dimensions - in (mm)



Part Numbering System

Series



- KU** - standard block
- KUX** - short block
- KURL** - standard w/removable link
- KUXRL** - short block w/removable link

Poles



02 to 12

Screw Options



- 00** - screws shipped bulk
- W** - brass washer head, nickel-plated
- P** - steel screw w/pressure plate zinc-plated
- B** - brass washer head, no plating
- BP** - brass phillslot, nickel-plated

Covers



- WC** - top cover & 2 end plates

Marking Strip



- MT** - matte finish - white
- NU** - numbered 1 to 12, horizontal
- NUV** - numbered 1 to 12, vertical
- PT** - marker strip for cover

Part Numbering System - SC Series

- KUSC** - standard w/shorting strap & 4 shorting screws
- KUXSC** - short block w/shorting strap & 4 shorting screws

02 to 12

- 00** - screws shipped bulk
- W** - brass washer head, nickel-plated
- P** - steel screw w/pressure plate zinc-plated
- B** - brass washer head, no plating
- BP** - brass phillslot, nickel-plated

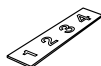
- WC** - top cover & 2 end plates

- PT** - marker strip for cover

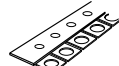
Accessories



MTMU##
Molded Marking Tape - Matte Finish



NUM##
Molded Marking Tape



JU12
Jumper - 12 Circuits



NUE
End Piece for NUC



NUC##
Cover

Series 11675

Quick-Connect Power Distribution Blocks

SPECIFICATIONS

Rating: 40A, 250V

Poles: 2- to 6-poles with (3) 0.25" quick-connect terminals per pole

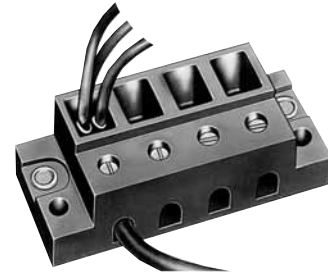
Wire Range: #8-14 AWG CU

Torque Rating: 18 lb-in.

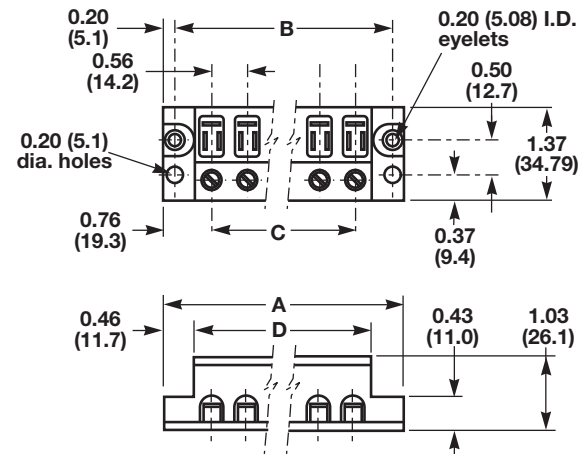
Operating Temperature: 150°C

Design: Screw connections for field wiring. Quick connects reduce cost of internal wiring.

Agency Information: UL File E62622, CSA File 47235



Dimensions - in (mm)



| Part Number | A | B | C | D |
|-------------|------|------|------|------|
| 11675-2 | 2.09 | 1.68 | 0.56 | 1.15 |
| 11675-3 | 2.66 | 2.25 | 1.12 | 1.71 |
| 11675-4 | 3.22 | 2.81 | 1.68 | 2.28 |
| 11675-5 | 3.78 | 3.37 | 2.25 | 2.84 |
| 11675-6 | 4.34 | 3.93 | 2.81 | 3.40 |

* Dimensions in inches. To convert to millimeters, multiply by 25.4.

Series 11725

Quick-Connect Power Distribution Blocks

SPECIFICATIONS

Rating: 70A, 600V

Poles: 2-, 3- or 4-poles with (4) 0.25" quick-connect terminals per pole

Wire Range: #2-14 AWG CU / #2-8 AWG AL

Torque Rating: 45 lb-in.

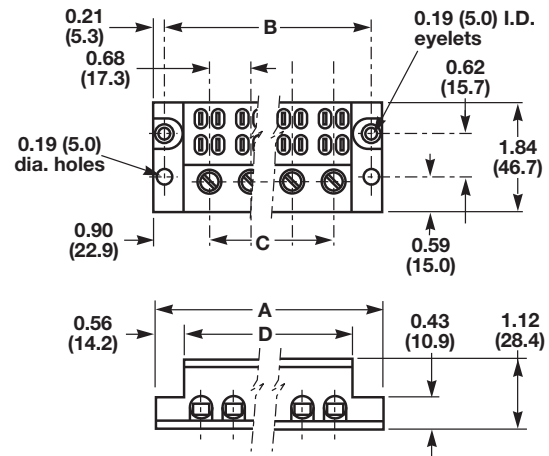
Operating Temperature: 150°C

Design: Screw connections for field wiring. Quick connects reduce cost of internal wiring.

Agency Information: UL File E62622, CSA File 47235



Dimensions - in (mm)



| Part Number | A | B | C | D |
|-------------|------|------|------|------|
| 11725-2 | 2.50 | 2.06 | 0.68 | 1.37 |
| 11725-3 | 3.18 | 2.75 | 1.37 | 2.06 |
| 11725-4 | 3.87 | 3.43 | 2.06 | 2.75 |

* Dimensions in inches. To convert to millimeters, multiply by 25.4.

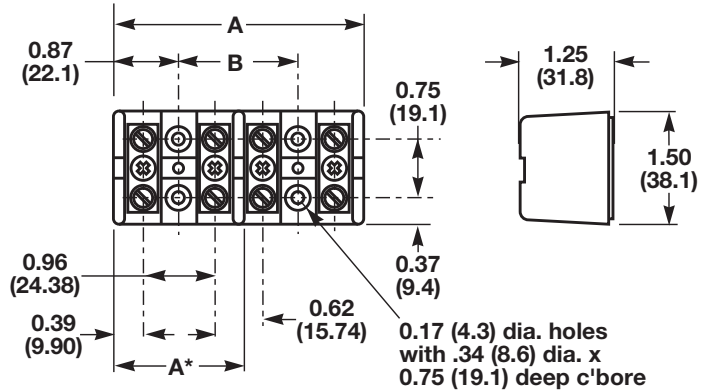
Series 14002
Barrier Terminal Blocks

SPECIFICATIONS

Rating: 115A, 600V
Poles: 2- to 6-poles
Wire Range: #2-14 AWG CU / #2-8 AWG AL
Torque Rating: 2-3, 50 lb-in; 4-6, 45 lb-in; 8, 40 lb-in; 10-14, 35 lb-in.
Operating Temperature: 150°C
Marking: Marking strip optional, consult factory.
Options: CP = pressure plate, rated 60A, 600V
 Q = quick-connect, rated 50A, 600V
 To order enter letter code in front of part number: ie; CP14002-2
Agency Information: UL File E62622, CSA File 47235



Dimensions - in (mm)



* Dimensions in inches. To convert to millimeters, multiply by 25.4.
 Note: "A" dimension for 14002-2 & 14002-3 only. (14002-2 & 14002-3 have only two mounting holes.)

| Part Number | A | B |
|-------------|------|------|
| 14002-2 | 1.75 | - |
| 14002-3 | 2.37 | - |
| 14002-4 | 3.34 | 1.59 |
| 14002-5 | 3.96 | 2.21 |
| 14002-6 | 4.59 | 2.84 |

Series 14004
Dead Front Terminal Blocks

SPECIFICATIONS

Rating: 90A, 600V
Poles: 2- to 12-poles
Wire Range: #4-14 AWG CU / #4-8 AWG AL
Torque Rating:

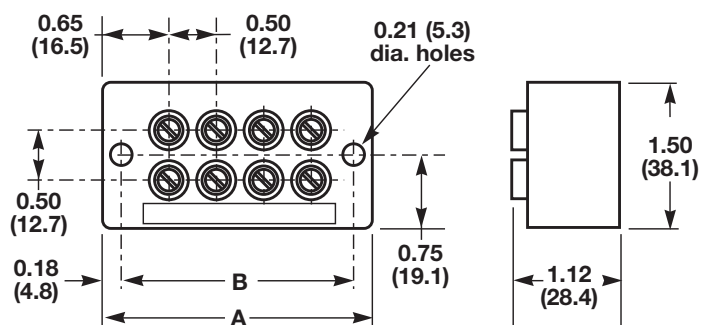
| Cu AWG | AL AWG | Lb-in |
|--------|--------|-------|
| 4-6 | 4-6 | 35 |
| 8 | 8 | 25 |
| 10-14 | 10-12 | 20 |
| 16-18* | - | 20 |

*Solid conductor only

Operating Temperature: 75°C
Marking: Marking strip optional, consult factory.
Agency Information: UL File E62622, CSA File 47235



Dimensions - in (mm)



* Dimensions in inches. To convert to millimeters, multiply by 25.4.

| Part Number | A | B |
|-------------|------|------|
| 14004-2 | 1.81 | 1.43 |
| 14004-3 | 2.31 | 1.93 |
| 14004-4 | 2.81 | 2.43 |
| 14004-5 | 3.31 | 2.93 |
| 14004-6 | 3.81 | 3.43 |
| 14004-7 | 4.31 | 3.93 |
| 14004-8 | 4.81 | 4.43 |
| 14004-9 | 5.31 | 4.93 |
| 14004-10 | 5.81 | 5.43 |
| 14004-11 | 6.31 | 5.93 |
| 14004-12 | 6.81 | 6.43 |

Series 160, 162, 163 & 165 Splicer Terminal Blocks

SPECIFICATIONS

Rating: To 620A, 600V; UL/CSA. See table.

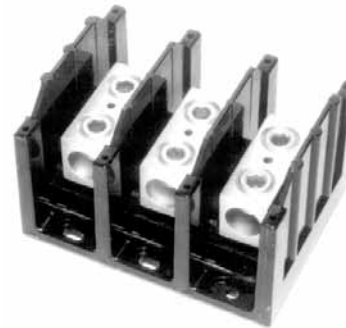
Materials: Molded material: Black,
UL rated 94V0 thermoplastic

Operating Temperature: 150°C

Marking: Marker strip is optional, consult factory.

Agency Information: UL 221592; General Industrial Class
per UL 1059; CSA LR053787; CE Certified

Covers: See page 134

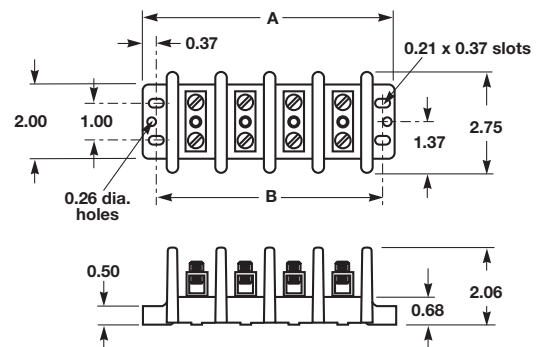


160 Series only

| Part Number | Line Connection | Load Connection | Connector Material & Ampacity | Agency Approvals |
|-------------|---------------------|---------------------|-------------------------------|------------------|
| *16000 | 2/0-#8CU-AL | 2/0-#8CU-AL | AL-175A | UL - |
| *16003 | 250k cmil-#6CU only | 250k cmil-#6CU only | CU-255A | UL - |
| *16005 | 350k cmil-#6CU/AL | 350k cmil-#6CU/AL | AL-310A | UL - |
| 16200 | #2-#14CU, #2-#8AL | #2-#14CU, #2-#8AL | AL-115A | UL/CSA |
| 16201 | 1/0-#14CU Only | 1/0-#14CU Only | CU-150A | UL/CSA |
| 16204 | 2/0-#8CU-AL | 2/0-#8CU-AL | AL-175A | UL/CSA |
| 16301 | 250cmil-#6CU Only | 250cmil-#6CU Only | CU-255A | UL/CSA |
| 16303 | 350cmil-#6CU/AL | 350cmil-#6CU/AL | AL-310A | UL/CSA |
| 16306 | 500cmil-#6CU/AL | 500cmil-#6CU/AL | AL-380A | UL/CSA |
| 16500 | 350cmil-#4CU/AL | 350cmil-#4CU/AL | AL-620A | UL/CSA |
| 16504 | 500Mcmil-#6CU/AL | 500Mcmil-#6CU/AL | AL-760A | UL/CSA |

| No. of Poles | A | B |
|--------------|------|------|
| 2 | 4.12 | 3.62 |
| 3 | 5.37 | 4.87 |
| 4 | 6.62 | 6.12 |

Dimensions - in



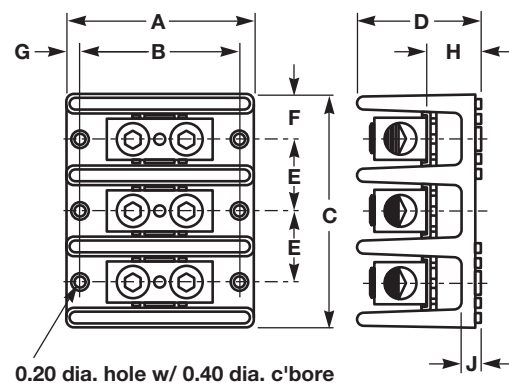
* 160 Series Bases have mounting holes outside the barriers. Other bases (162 through 165) have mounting holes within barriers. See dimensional drawings.

②Openings per pole.

| Series | A | B | C | | |
|--------|------|------|--------|--------|--------|
| | | | 1-pole | 2-pole | 3-pole |
| 162 | 2.87 | 2.25 | 1.06 | 1.87 | 2.68 |
| 163 | 4.00 | 3.37 | 1.98 | 3.60 | 5.21 |
| 165 | 5.50 | 4.75 | 3.12 | 5.81 | 8.50 |

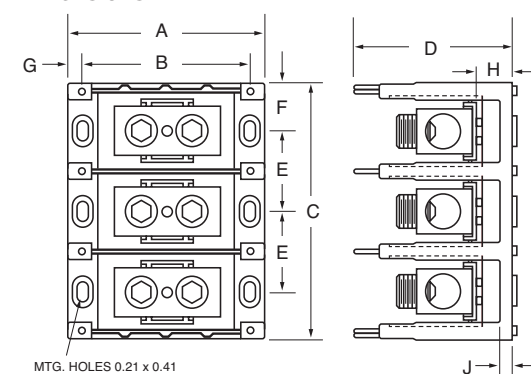
| Series | D | E | F | G | H | J |
|--------|------|------|------|------|------|------|
| 162 | 1.75 | 0.81 | 0.53 | 0.31 | 0.84 | 0.31 |
| 163 | 3.32 | 1.62 | 0.97 | 0.31 | 0.87 | 0.35 |
| 165 | 3.12 | 2.68 | 1.56 | 0.37 | 1.37 | 0.62 |

Dimensions - in



162 Series

Dimensions - in



163 Series

Series PDBFS

Power Distribution Blocks

Feature/Benefits

- Enclosed, safer installation; IP-20 finger-safe under specific conditions
- High Short-Circuit Current Ratings up to 200,000A: PDBs do not have to be the weak link in achieving high SCCR for an industrial control panel
- Small footprint saves panel space
- Listed to UL1953 which has minimum spacing requirements at 600V of at least 1" through air and 2" over surface required for feeders in UL UL508A Industrial Control Panels
- For 2D CAD drawings visit www.cooperbussmann.com



Electrical

- 600Vac or dc (UL 1953), 690Vac or dc (IEC)
- IP-20 Finger Safe under specific conditions
- Short-Circuit Current Ratings up to 200,000kA, see table
- Ampacities up to 760 Amps
- CU Wire range 14 AWG to 500 kcmil or 2.5 to 240 mm²

Mechanical

- DIN rail or panel mount; PDBFS330 & PDBFS504 panel mount only
- Captive termination screws; screws do not get misplaced
- Wire ready: captive termination screws shipped backed out to save time on conductor installations
- Sliding DIN rail latch for easy mounting
- Single pole, gang mountable for multiple pole applications with interlocking dovetail accessory (optional)
- Flammability, UL 94V0
- Tin-plated AL connectors suitable for CU conductors
- Elongated hole for panel mounting; easier mounting with greater flexibility in matching up with drilled panel holes
- Part 2A1279: Interlocking dovetail pin accessory
One pin interlocks two units, two pins to interlock three units
- DIN rail end anchors required to prevent damage to block when torquing

Agency/Standards

- UL Listed 1953, Guide QPQS, File E256146
- CSA Certified, Class 6228-01, File 15364
- CE component IEC 60947-7-1
- IEC 60529, IP-20 (Finger Safe) under specific wiring conditions

Series PDBFS

| Catalog Number <small>(All Single Pole)</small> | Amps | Terminal Copper Conductor Capability | | | Short-Circuit Current Rating Data | | | | | | |
|--|------|--|--|--------------------------------|-----------------------------------|----------------------|------------------------|---------------------|-------------------------|-----------------------|------------------------|
| | | Line | Load | Configuration | Conductors | | Max Fuse Class & Amp** | | | | SCCR |
| | | Wire Range | Wire Range | Openings per Pole Line Load | Line AWG or kcmil | Load AWG or kcmil | J LPJ | T JJS JJN | RK1 LPS-RK LPN-RK | RK5 FRS-R FRN-R | |
| PDBFS204 | 175A | 2/0 - 8 AWG 70 - 10 mm ² | 2/0 - 8 AWG 70 - 10 mm ² | | 2/0 - 8 | 2/0 - 8 | 200 | 200 | 100 | 60 | 200kA |
| PDBFS220 | 175A | 2/0 - 8 AWG 70 - 10 mm ² | 4 - 14 AWG 25 - 2.5 mm ² | | 2/0 - 8 | 4 - 12 4 - 14 | 200 175† 200† | 200 175† 200† | 100† 100† 100† | 60† 60† 60† | 200kA 100kA 50kA |
| PDBFS303 | 310A | 350kcmil - 6 AWG 150 - 16 mm ² | 350kcmil - 6 AWG 150 - 16 mm ² | | 350 - 6 | 350 - 6 | 400 | 400 | 200 | 100 | 200kA |
| PDBFS330 | 380A | 500kcmil - 6 AWG 240 - 16 mm ² | 2 - 14 AWG 35 - 2.5 mm ² | | 500 - 6 | 2 - 6 2 - 14 | 400 200† 175† | 400 200† 175† | 200† 100† 100† | 100† 30† 30† | 200kA 50kA 100kA |
| PDBFS377 | 570A | 300kcmil - 4 AWG 150 - 12 mm ² | 4 - 14 AWG 25 - 2.5 mm ² | | 300 | 4 - 8 | 600 | 600 | 400† | 200† | 200kA |
| PDBFS500 | 620A | 350kcmil - 4 AWG 185 - 12 mm ² | 350kcmil - 4 AWG 185 - 12 mm ² | | 350 | 350 | 600 | 600 | 400 | 200 | 200kA |
| | | | | | 350 - 4 | 350 - 4 | 600 | 800 | 600 | 200 | 100kA |
| PDBFS504 | 760A | 500kcmil - 6 AWG 240 - 16 mm ² | 500kcmil - 6 AWG 240 - 16 mm ² | | 500 | 500 | 600 | 800* | 600 | 400 | 200kA |
| | | | | | 500 - 6 | 500 - 6 | 600 | 800* | 600 | 200 | 100kA |

Ampacities 75C per NEC® Table 310.16 and UL508A Table 28.1

*Class L 800A (KRP-C 800_SP) or less fuses suitable for this particular SCCR case.

** Class G 60A (SC-60) or less or Class CC 30A (LP-CC-30, FNQ-R-30, KTK-R-30) or less are suitable for all these SCCRs in this table.

† Higher SCCR may be available, check latest datasheet 1149.

Series 160, 162, 163 & 165
Power Distribution Blocks

SPECIFICATIONS

Rating: To 840A, 600V; UL/CSA. See table.

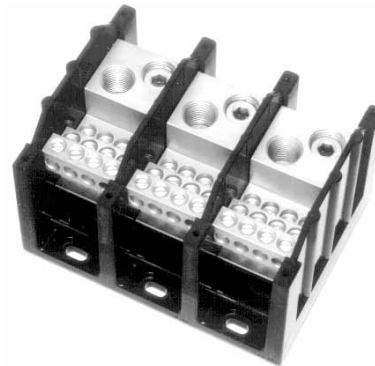
Materials: Molded material: Black,
UL rated 94V0 thermoplastic

Operating Temperature: 150°C

Marking: Marker strip is optional, consult factory.

Agency Information: UL 221592; General Industrial Class per
UL 1059; CSA LR053787; CE Certified

Covers: See page 134



Terminal Blocks:
Single & Double Row

EuroMag Series

Terminal Blocks:
Base & Rail Mount

Power Distribution
Blocks

Wire Management
Products

Edge Connectors,
One-Sided Boards

Compliance
References

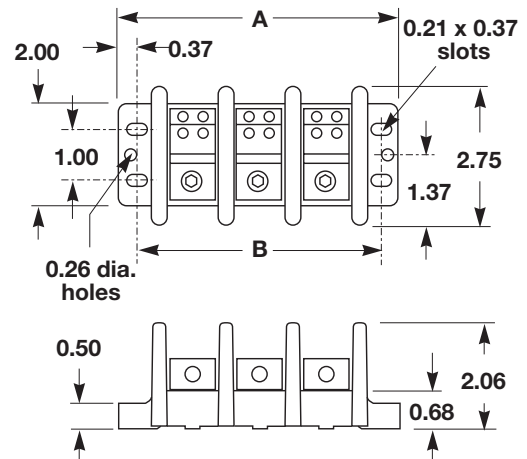
| Part Number | Line Connection | Load Connection | Connector Material & Ampacity | Agency Approvals |
|-------------|----------------------|-----------------------|-------------------------------|------------------|
| *16021 | 2/0-#14CU,2/0-#8AL | ④#4-14CU, #4-#8AL | AL-175A | UL/CSA |
| *16023 | 350kcmil-#6CU/AL | ④#4-14CU, #4-#12AL | AL-310A | UL/CSA |
| 16220 | 2/0-#14CU, 2/0-#8AL | ④#4-14CU, #4-#8AL | AL-175A | UL/CSA |
| 16321 | 2/0-#14CU, 2/0-#8AL | ④#4-14CU, #4-#8AL | AL-175A | UL/CSA |
| 16323 | 350kcmil-#6CU/AL | ④#4-14CU, #4-#12AL | AL-310A | UL/CSA |
| 16325 | ②2/0-#14CU, 2/0-#8AL | ④#4-14CU, #4-#8AL | AL-350A | UL/CSA |
| 16330 | 500kcmil-#6CU/AL | ②#2-#14CU, #2-#12AL | AL-380A | UL/CSA |
| 16332 | 350kcmil-#6CU/AL | ③#2-#14CU, #2-#8AL | AL-310A | UL/CSA |
| 16335 | 500kcmil-#6CU/AL | ②1/0-#14CU, 1/0-#8AL | AL-380A | UL/CSA |
| 16370 | 350kcmil-#6CU/AL | ③#2-#14CU, #2-#8AL | AL-310A | UL/CSA |
| 16371 | 350kcmil-#6CU/AL | ②1/0-#14CU, 1/0-#8AL | AL-310A | UL/CSA |
| 16372 | 350kcmil-#6CU/AL | ①#4-#14CU, #4-#12AL | AL-310A | UL/CSA |
| 16373 | 350kcmil-#6CU/AL | ③#2-#14CU, #2-#8AL | AL-310A | UL/CSA |
| 16375 | 600kcmil-#2CU/AL | ③1/0-#14CU, #10AL | AL-420A | UL/CSA |
| 16376 | 600kcmil-#2CU/AL | ②#4-#14CU, #4-#12AL | AL-420A | UL/CSA |
| 16377 | ③300kcmil-#4CU/AL | ③#1/0-#14CU, 1/0-#8AL | AL-570A | UL/CSA |
| 16528 | ③600kcmil-#2CU/AL | ①#4-#14CU, #4-#12AL | AL-840A | UL/CSA |
| 16530 | ③500kcmil-#6CU/AL | ④#4-#14CU/AL | AL-760A | UL/CSA |

* 160 Series Bases have mounting holes outside the barriers. Other bases (162 through 165) have mounting holes within barriers. See dimensional drawings.

① Openings per pole.

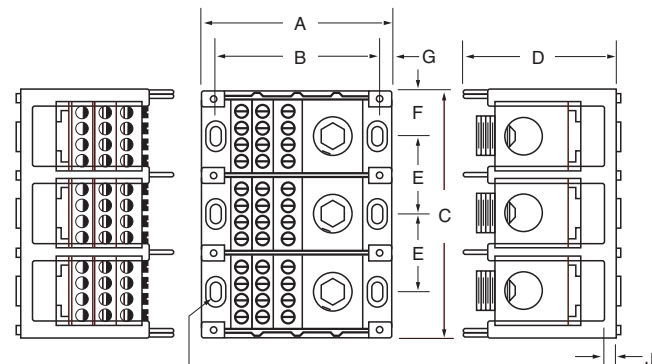
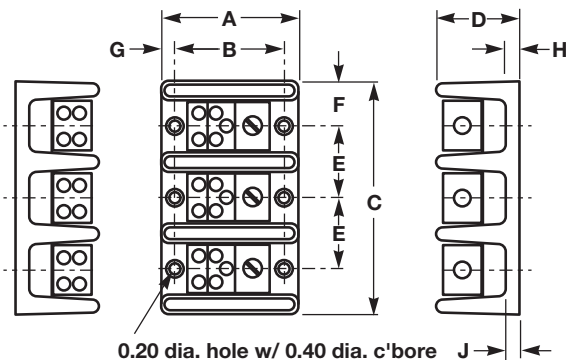
160 Series only

| No. of Poles | A | B |
|--------------|------|------|
| 2 | 4.12 | 3.62 |
| 3 | 5.37 | 4.87 |
| 4 | 6.62 | 6.12 |



| Series | A | B | C 1-pole | C 2-pole | C 3-pole |
|--------|------|------|-------------|-------------|-------------|
| 162 | 2.87 | 2.25 | 1.06 | 1.87 | 2.68 |
| 163 | 4.00 | 3.37 | 1.98 | 3.60 | 5.21 |
| 165 | 5.50 | 4.75 | 3.12 | 5.81 | 8.50 |

| Series | D | E | F | G | H | J |
|--------|------|------|------|------|------|------|
| 162 | 1.75 | 0.81 | 0.53 | 0.31 | 0.84 | 0.31 |
| 163 | 3.32 | 1.62 | 0.97 | 0.31 | 0.87 | 0.35 |
| 165 | 3.12 | 2.68 | 1.56 | 0.37 | 1.37 | 0.62 |



MTG. HOLES 0.21 x 0.41
C'BORE 0.42 x 0.62 x 0.12 DEEP

Series 162, 163 & 165

Connector/Stud Power Distribution Blocks

SPECIFICATIONS

Rating: To 760A, 600V; UL/CSA. See table.

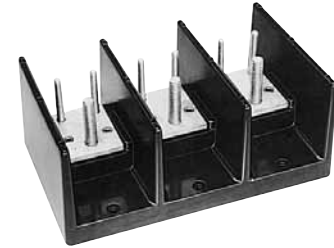
Materials: Molded material: Black, UL rated 94V0 thermoplastic

Operating Temperature: 150°C

Marking: Marker strip is optional, consult factory.

Agency Information: UL 221592; General Industrial Class per UL 1059; CSA LR053787; CE Certified

Covers: See page 134

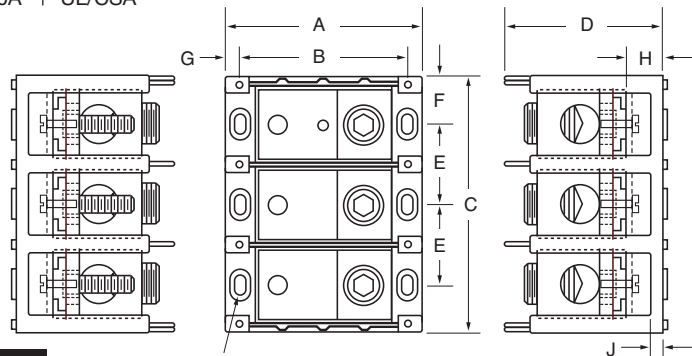


| Part Number | Line Connection | Load Connection | Connector Material & Ampacity | Agency Approvals |
|--------------------------|--------------------|--------------------|-------------------------------|------------------|
| Connector to Stud | | | | |
| 16280 | 2/0-#14CU/AL | 1/4-20x3/4 Stud | AL-175A | UL |
| 16281 | 2/0-#14CU/AL | 1/4-20 Tapped hole | AL-175A | UL |
| 16378 | 500kcmil-#6CU/AL | 1/4-20x1 Stud | AL-380A | UL/CSA |
| 16383 | 500kcmil-#6CU/AL | 3/8-16x1 Stud | AL-380A | UL/CSA |
| 16582 | 500kcmil-#6CU/AL | 3/8-16x1 5/8 Stud | AL-760A | UL/CSA |
| Stud to Stud | | | | |
| 16290 | 1/4-20x3/4 Stud | 1/4-20x3/4 Stud | Cu-175A | UL |
| 16390 | 3/8-16x1 1/8 Stud | 3/8-16x1 1/8 Stud | CU-250A | UL/CSA |
| 16394 | 1/2-13x1 1/16 Stud | 1/2-13x1 1/16 Stud | CU-400A | UL/CSA |
| 16395 | 3/8-16x1 7/16 Stud | 1/4-20x9/16 Stud | CU-310A | UL/CSA |
| 16591 | 3/8-16x1 7/16 Stud | 3/8-16x1 7/16 Stud | CU-400A | UL/CSA |
| 16593 | 1/2-13x1 Stud | 1/2-13x1 Stud | CU-600A | UL/CSA |

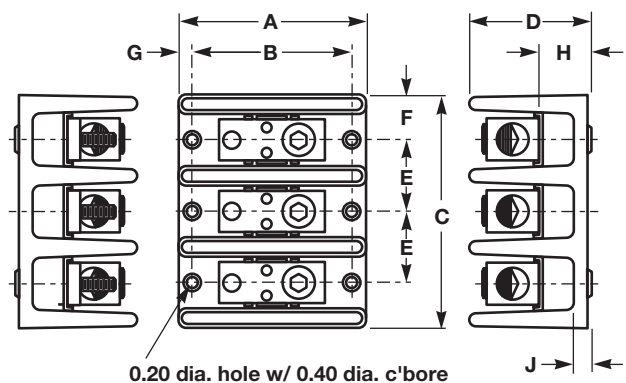
¹⁾ Openings per pole.

| Series | A | | B | | C | | |
|--------|--------|--------|--------|--------|--------|--------|--------|
| | 1-pole | 2-pole | 1-pole | 2-pole | 3-pole | 3-pole | 3-pole |
| 162 | 2.87 | 2.25 | 1.06 | 1.87 | 2.68 | | |
| 163 | 4.00 | 3.37 | 1.98 | 3.60 | 5.21 | | |
| 165 | 5.50 | 4.75 | 3.10 | 5.79 | 8.48 | | |

| Series | D | E | F | G | H | J |
|--------|------|------|------|------|------|------|
| 162 | 1.75 | 0.81 | 0.53 | 0.31 | 0.84 | 0.31 |
| 163 | 3.32 | 1.62 | 0.97 | 0.31 | 0.87 | 0.35 |
| 165 | 2.93 | 2.68 | 1.55 | 0.37 | 1.19 | 0.44 |



MTG. HOLES 0.21 x 0.41
C'BORE 0.42 x 0.62 x 0.12 DEEP



Terminal Blocks:
Single & Double Row

EuroMag Series

Terminal Blocks:
Base & Rail Mount

Power Distribution
Blocks

Wire Management
Products

Edge Connectors,
One-Sided Boards

Compliance
References

Series EN

Power Blocks
1.78" Centers

SPECIFICATIONS

Rating: 285A, 600V; UL/CSA

Wire Range: Line Connection: #300MCM-#4 CU/AL
Load Connection: (6) #6-14AWG CU
(6) #8-14 AWG AL

Material: Molded material; Black, UL rated
94V2 thermoplastic

Poles: 1-3

Operating Temperature: 125°C

Torque Rating: 200 lb-in. line terminal, 20 lb-in. load terminal

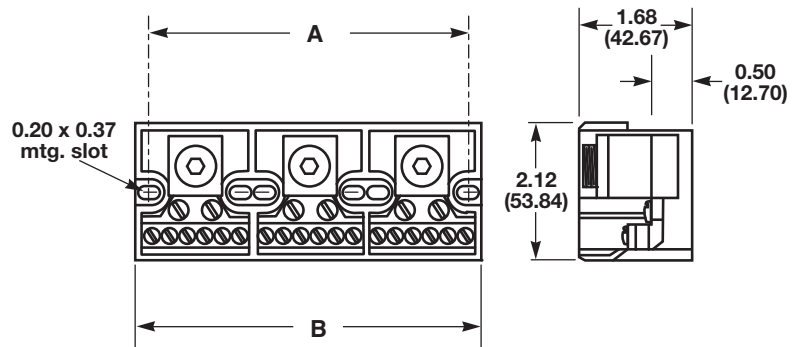
Agency Information: UL File E62622, CSA File 47235

Covers: Not available



| Series | A | B |
|----------------|------|------|
| EN61- (1-pole) | 1.38 | 1.78 |
| EN62- (2-pole) | 3.15 | 3.62 |
| EN63- (3-pole) | 4.93 | 5.37 |

Dimensions - in (mm)



Covers (160, 162, 165 Series)

Part Numbering System

Series



- | | |
|-----|---|
| 160 | 1 - One Pole Block (162, 165 Series only) |
| 162 | 2 - Two Pole Block |
| 165 | 3 - Three Pole Block |
| | 4 - Four Pole Block (160 Series only) |

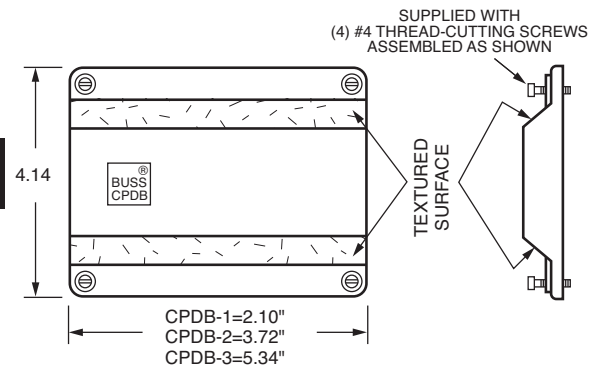
Covers (163 Series)

Part Numbering System

Series



- | | |
|---|------------------|
| 1 | One Pole Block |
| 2 | Two Pole Block |
| 3 | Three Pole Block |

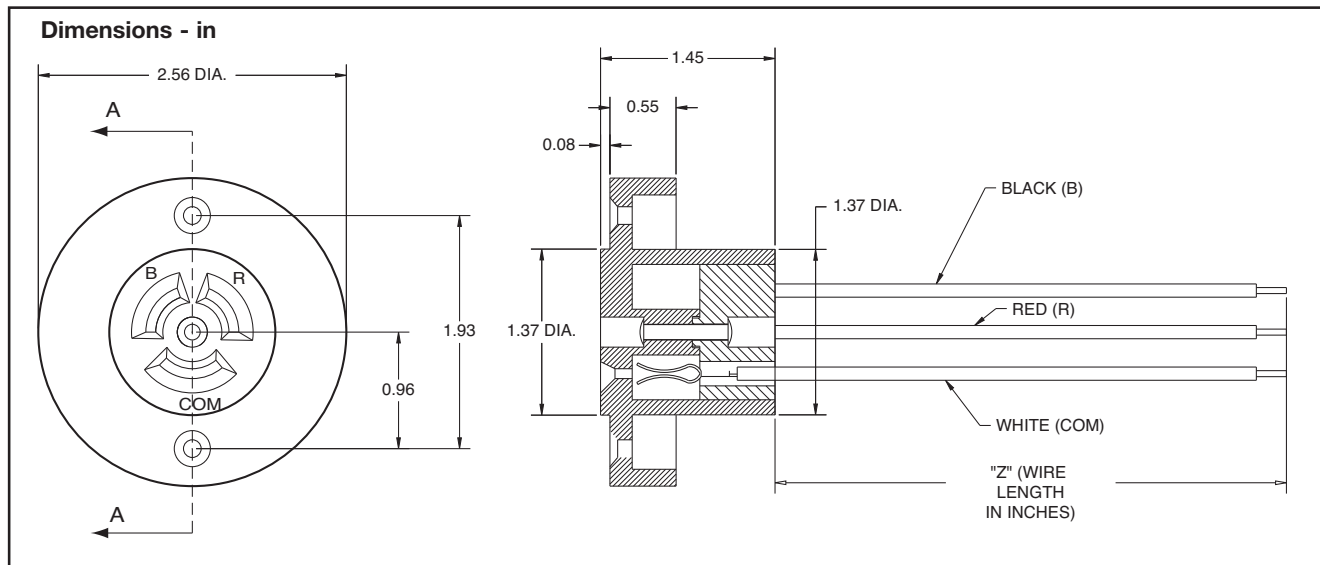


Clear with write on surface

Photo Control Receptacle Series

Wire Management Products

- 3-pole, 3-wire receptacles for plug-in, locking type photo controls used in outdoor areas and roadway lighting.
- Receptacle configuration, terminals and limiting dimensions are in accordance with Figure 3 of EE Pub. No. TDJ-146, NEMA Pub. No. SH 16-1962 and UL 773.
- Wire types and sizes ranging from #12 AWG through 16 AWG rated at 600V with temperature ratings from 105° to 200°C. Consult factory for other wire colors.
- Hook-up wires are an integral part of the assembly with lengths furnished to customer specification.
- UL Recognized under file E65288 for a rating of 1kW or 1800VA for potentials up to 480V.
- CSA certified under file LR21295 for 15 amps at 125V.
- CE Certified.



Part Numbering System

| Series | Terminal Type | Wire Type | Wire Gauge | Wire Length |
|--------|---------------|-------------|--------------|----------------------------|
| 13661 | W | See Table I | See Table II | Dimension "Z"* * Min 4" |

TABLE I (Wire Type)

| Ass'y No. | Wire Description |
|------------|---|
| 13661-W1XX | Min. of 26 Strands, Copper Conductor, 125°C-600V Crosslinked Polyethylene. |
| 13661-W2XX | Min. of 26 Strands, Copper Conductor, Silicone Rubber Insulation and Fiber Glass Braid Jacket, Nec. Type SFF-2(150°C) |
| 13661-W3XX | Min. of 26 Strands, Copper Conductor, Type TW, 105°C-600V Insulation (16 gauge only) |
| 13661-W4XX | Min. of 7 Strands, Copper Conductor of 0.0192 Silicone Rubber Insulation and Fiber Glass Braid Jacket, Nec. Type SF-2 (200°C) |
| 13661-W5XX | Min of 19 Strands, Copper Conductor, Type AWM. 105°C-600V Insulation |

TABLE II (Wire Gauge)

| Ass'y No. | Wire Gauge |
|------------|------------|
| 13661-W2XX | 12 Gauge |
| 13661-W4XX | 14 Gauge |
| 13661-W6XX | 16 Gauge |

Stud Type Junction Blocks
(Non-Feed Thru)



Series C4559 & C6083

SPECIFICATIONS

Rating: 30A, 600V

Operating Temperature: 250°F (120°C)

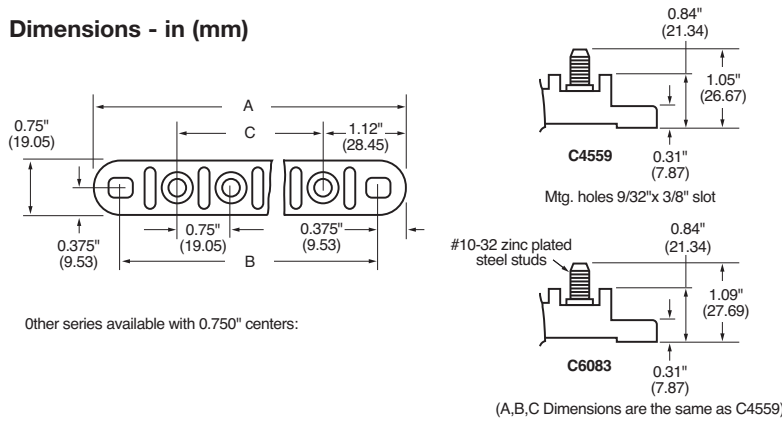
Standards: 2 to 16 steel studs with #10-24 threads on 0.750" centers and a "dog point" to guide nut onto thread.

Torque Rating: 20 lb-in (25 lb-in).

Marking: Numbers and arrows molded on top of barriers indicate terminals.

Agency Information: CSA File 15364

Dimensions - in (mm)



| Part No.-Poles | A | B | C |
|----------------|---------------|---------------|---------------|
| C4559-2 | 3.00 (76.2) | 2.25 (57.1) | 0.75 (19.0) |
| C4559-3 | 3.75 (95.2) | 3.00 (76.2) | 1.50 (38.1) |
| C4559-4 | 4.50 (114.3) | 3.75 (95.2) | 2.25 (57.1) |
| C4559-5 | 5.25 (133.3) | 4.50 (114.3) | 3.00 (76.2) |
| C4559-6 | 6.00 (152.4) | 5.25 (133.3) | 3.75 (95.2) |
| C4559-7 | 6.75 (171.4) | 6.00 (152.4) | 4.50 (114.3) |
| C4559-8 | 7.50 (190.5) | 6.75 (171.4) | 5.25 (133.3) |
| C4559-9 | 8.25 (209.5) | 7.50 (190.5) | 6.00 (152.4) |
| C4559-10 | 9.00 (228.6) | 8.25 (209.5) | 6.75 (171.4) |
| C4559-11 | 9.75 (247.6) | 9.00 (228.6) | 7.50 (190.5) |
| C4559-12 | 10.50 (266.7) | 9.75 (247.6) | 8.25 (209.5) |
| C4559-13 | 11.25 (285.7) | 10.50 (266.7) | 9.00 (228.6) |
| C4559-14 | 12.00 (308.4) | 11.25 (285.7) | 9.75 (247.6) |
| C4559-15 | 12.75 (323.8) | 12.00 (308.4) | 10.50 (266.7) |
| C4559-16 | 13.50 (342.9) | 12.75 (323.8) | 11.25 (285.7) |

Series C5237 & JB1032

SPECIFICATIONS

Rating: UL: 30A, 300V; CSA: 30A, 600V.

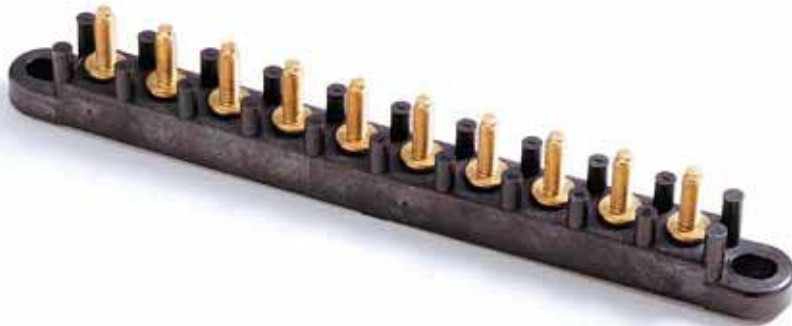
Operating Temperature: 250°F (120°C)

Standards: 1 to 15 brass studs on 0.625" centers with #10-32 thread and a "dog point" to guide nut onto thread.

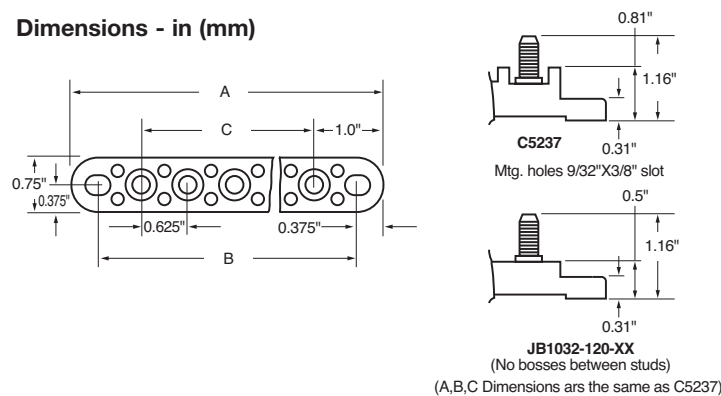
Torque Rating: 20 lb-in (25 lb-in).

Marking: Numbers and arrows molded on top of barriers indicate terminals.

Agency Information: CSA File 15364



Dimensions - in (mm)



| Part No.-Poles | A | B | C |
|----------------|---------------|---------------|--------------|
| C5237-1 | 2.00 (50.8) | 1.25 (31.7) | - |
| C5237-2 | 2.62 (66.7) | 1.87 (47.5) | 0.625 (15.9) |
| C5237-3 | 3.25 (82.5) | 2.50 (63.4) | 1.25 (31.7) |
| C5237-4 | 3.87 (98.4) | 3.12 (79.4) | 1.87 (47.5) |
| C5237-5 | 4.50 (114.3) | 3.75 (95.2) | 2.50 (63.4) |
| C5237-6 | 5.12 (130.8) | 4.37 (111.1) | 3.12 (79.4) |
| C5237-7 | 5.75 (146.0) | 5.00 (127.0) | 3.75 (95.2) |
| C5237-8 | 6.37 (161.9) | 5.62 (142.9) | 4.37 (111.1) |
| C5237-9 | 7.00 (177.8) | 6.25 (158.7) | 5.00 (127.0) |
| C5237-10 | 7.62 (193.7) | 6.87 (174.6) | 5.62 (142.9) |
| C5237-11 | 8.25 (209.5) | 7.50 (190.5) | 6.25 (158.7) |
| C5237-12 | 8.87 (225.4) | 8.12 (206.4) | 6.87 (174.6) |
| C5237-13 | 9.50 (241.3) | 8.75 (222.2) | 7.50 (190.5) |
| C5237-14 | 10.12 (257.2) | 9.37 (238.1) | 8.12 (206.4) |
| C5237-15 | 10.75 (273.0) | 10.00 (254.0) | 8.75 (222.2) |

Stud Type Junction Blocks

SPECIFICATIONS

Material: Studs on non-feed-thrus are steel plated; feed-thrus are copper alloy.

Applications: Heavy-duty ground or power connection points in AC or DC circuits. Feed-thru or stand alone mount options available for transformers, communication and computer power sections along with various vehicle electrical systems.

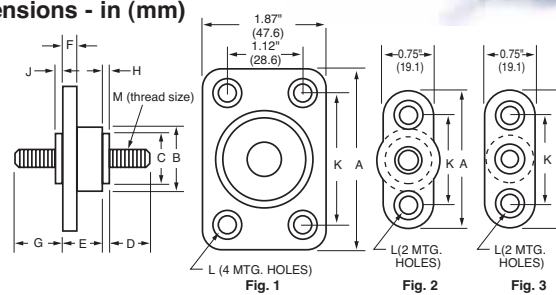
Benefits: Modular design offers design and manufacturing flexibility.

Suggested Max. Termination Ratings:

| Thread/Stud Sz. | Max. Amps |
|-----------------|-----------|
| #10 | 50 |
| #1/4 & M6 | 100 |
| #5/16 | 200 |
| #3/8 | 250 |
| #1/2 | 400 |



Dimensions - in (mm)



| Part | Fig. | A | B | C | D | E | F | G | H | J | K | L | M | Max. Torque (in-lb) | Material | Color |
|-----------|------|-------------|-------------|-------------|-------------|-------------|-----------|-------------|-----------|-----------|-------------|---------------------------------------|---------|---------------------|-----------------------------------|-------|
| C1925* | 1 | 2.75 (69.8) | 1.5 (38.1) | 1.25 (31.7) | 1.25 (31.7) | 1.12 (28.6) | .37 (9.5) | 1.12 (28.6) | .19 (4.8) | .19 (4.8) | 2.0 (50.8) | .22 dia. w/.44 dia. C'bore x .16 deep | 1/2-13 | 300 | Thermoplastic / Zinc-plated Brass | Red |
| C1925B* | 1 | 2.75 (69.8) | 1.5 (38.1) | 1.25 (31.7) | 1.25 (31.7) | 1.12 (28.6) | .37 (9.5) | 1.12 (28.6) | .19 (4.8) | .19 (4.8) | 2.0 (50.8) | .22 dia. w/.44 dia. C'bore x .16 deep | 1/2-13 | 300 | Thermoplastic / Zinc-plated Brass | Black |
| C1925-1* | 1 | 2.75 (69.8) | 1.5 (38.1) | 1.25 (31.7) | 1.25 (31.7) | 1.12 (28.6) | .37 (9.5) | 1.12 (28.6) | .19 (4.8) | .19 (4.8) | 2.0 (50.8) | .22 dia. w/.44 dia. C'bore x .16 deep | 1/2-13 | 300 | Thermoplastic / Tin-plated Brass | Red |
| C1925-1B* | 1 | 2.75 (69.8) | 1.5 (38.1) | 1.25 (31.7) | 1.25 (31.7) | 1.12 (28.6) | .37 (9.5) | 1.12 (28.6) | .19 (4.8) | .19 (4.8) | 2.0 (50.8) | .22 dia. w/.44 dia. C'bore x .16 deep | 1/2-13 | 300 | Thermoplastic / Tin-plated Brass | Black |
| C1925-2* | 1 | 2.75 (69.8) | 1.5 (38.1) | 1.25 (31.7) | 1.25 (31.7) | 1.12 (28.6) | .37 (9.5) | 1.12 (28.6) | .19 (4.8) | .19 (4.8) | 2.0 (50.8) | .22 dia. w/.44 dia. C'bore x .16 deep | 3/8-16 | 150 | Thermoplastic / Tin-plated Brass | Red |
| C1925-2B* | 1 | 2.75 (69.8) | 1.5 (38.1) | 1.25 (31.7) | 1.25 (31.7) | 1.12 (28.6) | .37 (9.5) | 1.12 (28.6) | .19 (4.8) | .19 (4.8) | 2.0 (50.8) | .22 dia. w/.44 dia. C'bore x .16 deep | 3/8-16 | 150 | Thermoplastic / Tin-plated Brass | Black |
| C1933 | 1 | 2.75 (69.8) | 1.44 (36.6) | 1.25 (31.7) | 1.5 (38.1) | 1.12 (28.6) | .37 (9.5) | None | .19 (4.8) | None | 2.0 (50.8) | .22 dia. | 1/2-13 | 300 | Thermoplastic / Zinc-plated Brass | Black |
| C1933-1 | 1 | 2.75 (69.8) | 1.44 (36.3) | 1.25 (31.7) | 1.5 (38.1) | 1.12 (28.6) | .37 (9.5) | None | .19 (4.8) | None | 2.0 (50.8) | .22 dia. | 5/16-18 | 75 | Thermoplastic / Zinc-plated Brass | Black |
| C1938* | 2 | 2.06 (52.4) | .94 (23.8) | .69 (17.5) | .87 (22.2) | .69 (17.5) | .31 (7.9) | .94 (23.8) | .06 (1.6) | .06 (1.6) | 1.31 (33.3) | .22 dia. w/.41 dia. C'bore x .14 deep | 3/8-16 | 150 | Thermoplastic / Zinc-plated Brass | Black |
| C1938R* | 2 | 2.06 (52.4) | .94 (23.8) | .69 (17.5) | .87 (22.2) | .69 (17.5) | .31 (7.9) | .94 (23.8) | .06 (1.6) | .06 (1.6) | 1.31 (33.3) | .22 dia. w/.41 dia. C'bore x .14 deep | 3/8-16 | 150 | Thermoplastic / Zinc-plated Brass | Red |
| C1938-1* | 2 | 2.06 (52.4) | .94 (23.8) | .69 (17.5) | .87 (22.2) | .69 (17.5) | .31 (7.9) | .94 (23.8) | .06 (1.6) | .06 (1.6) | 1.31 (33.3) | .22 dia. w/.41 dia. C'bore x .14 deep | 5/16-18 | 75 | Thermoplastic / Tin-plated Brass | Black |
| C1938-1R* | 2 | 2.06 (52.4) | .94 (23.8) | .69 (17.5) | .87 (22.2) | .69 (17.5) | .31 (7.9) | .94 (23.8) | .06 (1.6) | .06 (1.6) | 1.31 (33.3) | .22 dia. w/.41 dia. C'bore x .14 deep | 5/16-18 | 75 | Thermoplastic / Tin-plated Brass | Red |
| C2791* | 3 | 2.06 (52.4) | .69 (17.5) | .44 (11.2) | .62 (15.9) | .69 (17.5) | .31 (7.9) | .69 (17.5) | .06 (1.6) | .06 (1.6) | 1.31 (33.3) | .22 dia. w/.41 dia. C'bore x .14 deep | 1/4-20 | 30 | Thermoplastic / Zinc-plated Brass | Black |
| C2791-R* | 3 | 2.06 (52.4) | .69 (17.5) | .44 (11.2) | .62 (15.9) | .69 (17.5) | .31 (7.9) | .69 (17.5) | .06 (1.6) | .06 (1.6) | 1.31 (33.3) | .22 dia. w/.41 dia. C'bore x .14 deep | 1/4-20 | 30 | Thermoplastic / Zinc-plated Brass | Red |
| C2909* | 3 | 2.06 (52.4) | .69 (17.5) | .44 (11.2) | .62 (15.9) | 1.0 (25.4) | .31 (7.9) | .69 (17.5) | .06 (1.6) | .06 (1.6) | 1.31 (33.3) | .22 dia. w/.41 dia. C'bore x .14 deep | 10-32 | 24 | Thermoplastic / Zinc-plated Brass | Black |
| C2909-1* | 3 | 2.06 (52.4) | .69 (17.5) | .44 (11.2) | .62 (15.9) | 1.0 (25.4) | .31 (7.9) | .69 (17.5) | .06 (1.6) | .06 (1.6) | 1.31 (33.3) | .22 dia. w/.41 dia. C'bore x .14 deep | 1/4-20 | 30 | Thermoplastic / Zinc-plated Brass | Black |
| C4044* | 2 | 2.06 (52.4) | .87 (22.2) | .62 (15.9) | .62 (15.9) | 1.12 (28.6) | .31 (7.9) | .94 (23.8) | .06 (1.6) | .06 (1.6) | 1.31 (33.3) | .22 dia. w/.41 dia. C'bore x .14 deep | 3/8-16 | 150 | Thermoplastic / Zinc-plated Brass | Black |
| C4044-1* | 2 | 2.06 (52.4) | .87 (22.2) | .62 (15.9) | .62 (15.9) | 1.12 (28.6) | .31 (7.9) | .94 (23.8) | .06 (1.6) | .06 (1.6) | 1.31 (33.3) | .22 dia. w/.41 dia. C'bore x .14 deep | 3/8-16 | 150 | Thermoplastic / Tin-plated Brass | Black |
| C4044-1R* | 2 | 2.06 (52.4) | .87 (22.2) | .62 (15.9) | .62 (15.9) | 1.12 (28.6) | .31 (7.9) | .94 (23.8) | .06 (1.6) | .06 (1.6) | 1.31 (33.3) | .22 dia. w/.41 dia. C'bore x .14 deep | 3/8-16 | 150 | Thermoplastic / Tin-plated Brass | Red |
| C5898* | 2 | 2.06 (52.4) | .94 (23.8) | .69 (17.5) | .87 (22.2) | .69 (17.5) | .31 (7.9) | .94 (23.8) | .06 (1.6) | .06 (1.6) | 1.31 (33.3) | .22 dia. w/.41 dia. C'bore x .14 deep | 3/8-16 | 150 | Thermoplastic / Zinc-plated Brass | Red |
| C6344-2 | 2 | 2.06 (52.4) | .87 (22.2) | .62 (15.9) | .62 (15.9) | 1.12 (28.6) | .31 (7.9) | None | .06 (1.6) | None | 1.31 (33.3) | .22 dia. w/.41 dia. C'bore x .14 deep | 1/2-20 | 150 | Thermoplastic / Zinc-plated Steel | Black |
| C7018* | 3 | 2.06 (52.4) | .69 (17.5) | .44 (11.2) | .47 (11.9) | .69 (17.5) | .31 (7.9) | .53 (13.5) | .06 (1.6) | .06 (1.6) | 1.31 (33.3) | .22 dia. w/.41 dia. C'bore x .14 deep | M6 | 55 | Thermoplastic / Zinc-plated Steel | Black |
| C7020* | 2 | 2.06 (52.4) | .94 (23.8) | .69 (17.5) | .88 (22.2) | .69 (17.5) | .31 (8.0) | 1.25 (31.8) | .06 (1.6) | .06 (1.6) | 1.31 (33.3) | .22 dia. w/.41 dia. C'bore x .14 deep | 3/8-16 | 150 | Thermoplastic / Zinc-plated Brass | Red |
| JB3816-2 | 2 | 2.12 (54.0) | .98 (24.9) | .62 (15.9) | .87 (22.2) | .69 (17.5) | .31 (7.9) | None | .06 (1.6) | None | 1.37 (34.9) | .22 dia. w/.37 dia. C'bore x .14 deep | 3/8-16 | 150 | Thermoplastic / Zinc-plated Steel | Black |
| JB3816-3 | 2 | 2.12 (54.0) | .98 (24.9) | .62 (15.9) | .87 (22.2) | .69 (17.5) | .31 (7.9) | None | .06 (1.6) | None | 1.37 (34.9) | .22 dia. w/.37 dia. C'bore x .14 deep | 3/8-16 | 150 | Thermoplastic / Zinc-plated Steel | Red |

*Feed-thru Options - Nuts & washers; consult factory.

Terminal Blocks:
Single & Double Row

EuroMag Series

Terminal Blocks:
Base & Rail Mount

Power Distribution
Blocks

Wire Management
Products

Edge Connectors,
One-Sided Boards

Compliance
References

Series C7021

Power Feed Thru Terminal Block

APPLICATIONS

The C7021 terminal block is intended for use in applications requiring up to 175A utilizing a 2-hole compression lug on 5/8" centers. It is ideal for use as an input/output block for telecommunications power panels, or anywhere in which eliminating busbars would be an advantage.

SPECIFICATIONS

Ratings: 175A* per pole, 300V.

Center Spacing: 0.690" (17.5mm)

Wire Range: AWG #2/0-8

Material: UL 94V0 Thermoplastic

Number of Poles: 2- to 6-pole

Bolt Hole Spacing: 0.625" (15.88mm)

Stud: Standard 1/4-20 stud or optional M6 stud.

Mounting: Optional mounting ears.

Stud Material: Brass, Tin-Plated.

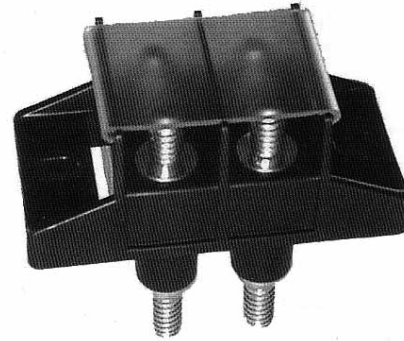
Torque Rating: 36 lb-in

Operating Temperature: 130°C

Accessories: Dead-Front covers (CSB7021-XX)

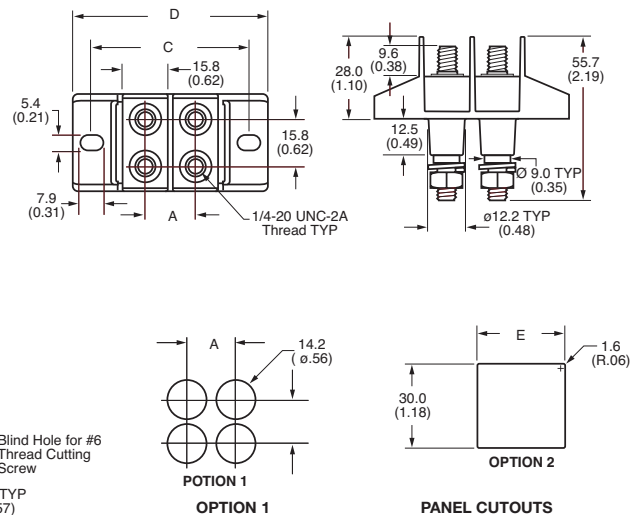
Agency Information: UL File E62622

*175 achieved using both studs in parallel, 115A using a single stud per line.



Dimensions - mm (in)

| Part No. | A | B | C | D | E |
|-------------|-------------|--------------|--------------|--------------|--------------|
| C7021-01-X | | | 37 (1.45) | 49.5 (1.95) | 15 (0.6) |
| C7021-02-X | 17.5 (0.69) | - | 54.4 (2.14) | 67.3 (2.65) | 31.8 (1.25) |
| C7021-03-X | 34.9 (1.37) | - | 70.9 (2.83) | 84.8 (3.34) | 49.2 (1.94) |
| C7021-04-X | 52.3 (2.06) | - | 89.3 (3.52) | 102.2 (4.02) | 66.7 (2.63) |
| C7021-05-X | 69.8 (2.75) | - | 106.8 (4.20) | 119.7 (4.71) | 84.2 (3.31) |
| C7021-06-X | 87.2 (3.44) | - | 124.2 (4.89) | 134.1 (5.40) | 101.7 (4.00) |
| C7021-01N-X | | | | | |
| C7021-02N-X | 17.5 (0.69) | 36.1 (1.42) | - | - | 31.8 (1.25) |
| C7021-03N-X | 34.9 (0.69) | 53.5 (2.11) | - | - | 49.2 (1.94) |
| C7021-04N-X | 52.3 (2.06) | 71.0 (2.80) | - | - | 66.7 (2.63) |
| C7021-05N-X | 69.8 (2.75) | 88.4 (3.48) | - | - | 84.2 (3.31) |
| C7021-06N-X | 87.2 (3.44) | 105.9 (4.17) | - | - | 101.7 (4.00) |



Part Numbering System

Inches (Millimeters)

Series

C7021

Poles

— □ □

- 01 - 1 pole (2 studs)
- 02 - 2 pole (4 studs)
- 03 - 3 pole (6 studs)
- 04 - 4 pole (8 studs)
- 05 - 5 pole (10 studs)
- 06 - 6 pole (12 studs)

Mount Ends

□

- Blank - Mount ends
- N - No mount ends

Studs

□ □ - □

- Blank - Standard
- M6 - M6 studs

Hardware

□

- Blank - No hardware
- 0 - Bulk pack, one set
- 1 - Bulk pack, two sets
- 2 - Assembled, bottom
- 3 - Assembled, top
- 4 - Assembled, both sets

Series C7024

Power Feed Thru Terminal Block

APPLICATIONS

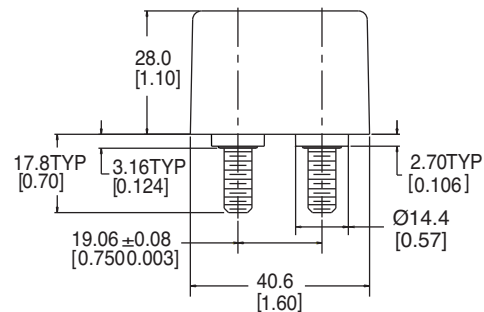
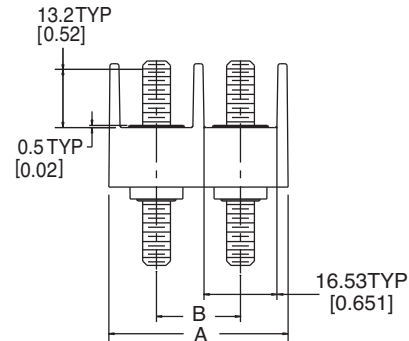
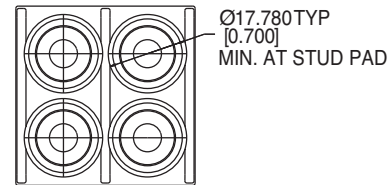
The C7024 terminal block is intended for use in applications requiring up to 115A utilizing a 2-hole compression lug on 3/4" centers. It is ideal for use as an input/output block for telecommunications power panels, or anywhere in which eliminating busbars would be an advantage.

SPECIFICATIONS

- Ratings:** 115A per pole, 600V.
- Center Spacing:** 0.75" (19.1mm)
- Material:** UL 94V0 Thermoplastic
- Wire Range:** AWG #28
- Number of Poles:** 1- to 12-poles
- Bolt Hole Spacing:** 0.75" (19.1mm)
- Stud:** Standard 1/4-28 stud
- Stud Material:** Tin-Plated Bronze.
- Torque Rating:** 36 lb-in
- Operating Temperature:** 130°C
- Agency Information:** UL File E62622



Dimensions - mm (in)



| Part Number | "A" Dimension ±0.4(±0.02) | "B" Dimension |
|-------------|------------------------------|--------------------------|
| C7024-01 | 21.6(0.85) | - |
| C7024-02 | 40.6(1.60) | 19.05±0.08(0.750±0.003) |
| C7024-03 | 59.7(2.35) | 38.10(1.500) |
| C7024-04 | 78.7(3.10) | 57.15±0.26(2.250±0.010) |
| C7024-05 | 97.8(3.85) | 76.2(3.00) |
| C7024-06 | 116.8(4.60) | 95.25±0.26(3.750±0.010) |
| C7024-07 | 135.9(5.35) | 114.30±0.38(5.250±0.015) |
| C7024-08 | 154.9(6.10) | 133.35±0.38(5.25±0.015) |
| C7024-09 | 174.0(6.85) | 152.40±0.38(6.00±0.015) |
| C7024-10 | 193.0(7.60) | 171.45±0.38(6.750±0.015) |
| C7024-11 | 212.1(8.35) | 190.50±0.38(7.500±0.015) |
| C7024-12 | 231.1(9.10) | 209.55±0.38(8.250±0.015) |

Part Numbering System



Inches (Millimeters)

Terminal Blocks:
Single & Double Row

EuroMag Series

Terminal Blocks:
Base & Rail Mount

Power Distribution
Blocks

Wire Management
Products

Edge Connectors,
One-Sided Boards

Compliance
References

Terminal Blocks:
Single & Double Row

EuroMag Series

Terminal Blocks:
Base & Rail Mount

Power Distribution
Blocks

Wire Management
Products

Edge Connectors,
One-Sided Boards

Compliance
References

Series 15133

Depluggable PCB Mount
Terminal Blocks

SPECIFICATIONS

- Rating:** 20A, 300V
- Center Spacing:** 0.375" or 3/8" (9.52mm)
- Wire Range:** #12-22 AWG
- Number of Poles:** 7- to 10-poles
- PC Board:** For soldering to PCB (.00015" tin over copper flash)
- Material:** Black, UL Rated 94V0 Thermoplastic
- Screws:** #6-32 zinc-plated steel SEMS
- Torque Rating:** 12 lb-in
- Terminals:** 15133-XX-10-X – Tin or gold plated brass
15133-XX-20-X – Nickel-or gold-plated copper alloy plug terminal, tin-or gold-plated female terminal
- Operating Temperature:** 221°F (105°C)
- Agency Information:** UL File E62622

APPLICATIONS

The 15133 is a series of input/output circuit board connectors. Available in a 1-piece or 2-piece design, they stack side-by-side with self-aligning housings to prevent incorrect mating. Both designs feature an integral, living hinge cover that saves the labor of attaching a separate cover. The cover provides a dead front for prevention of electrical contact, yet it also has test probe holes for easy circuit testing.

The 1-piece design is for applications not requiring unplugging the connector. It solders to the printed circuit board. Molded stand-offs ensure good solderability.

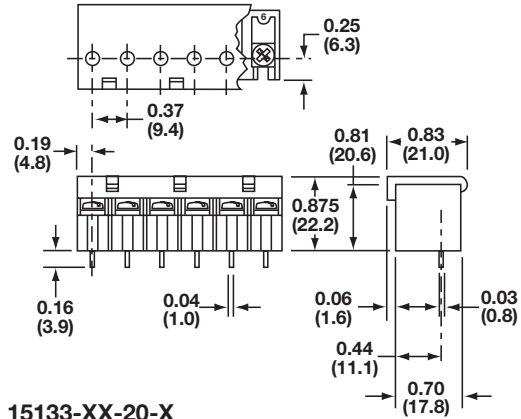
The 2-piece design enables quick connect and disconnect of several circuits at once. It allows fast board changing in the field without shutting down the entire system. The bottom section of the connector solders to the board. Male contacts are shrouded while the female has stand-offs; both are molded into the block. The top section of the connector plugs into the bottom section.



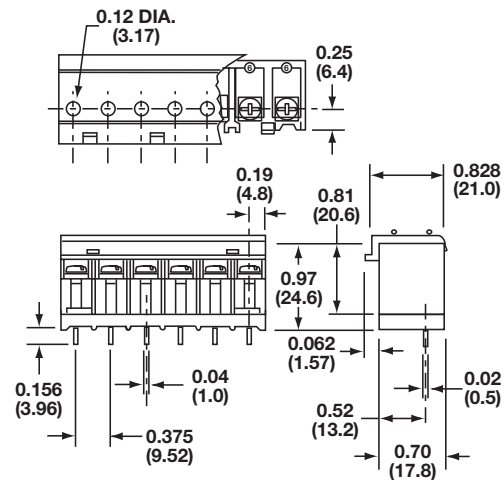
15133-06-20-T

Dimensions - in (mm)

15133-XX-10-X



15133-XX-20-X



Part Numbering System

Inches (Millimeters)

| Series | Poles | Style | Mounting | Terminal Plating |
|--------|-----------|--------------------------------|-------------------|----------------------|
| 15133 | — [] [] | — [] | [] — | [] |
| | 02 to 10 | 1 - One piece 2 - Two piece | 0 - No mtg. holes | T - Tin G - Gold* |

* Consult Factory

Series 1384X
Edge Connectors –
1 Sided Boards/Vertical Mount

SPECIFICATIONS

Rating: 10A, 250V
Center Spacing: 0.375" or 3/8" (9.52mm)
Wire Range: #14-22 AWG CU; entry to PC board at 90° angle.
Number of Poles: 4- to 16-poles
PC Board: Edge contact accepts standard 1/16" (0.0625) PCB.
Contacts: Cantilever design 0.02" thick phosphorus bronze with mating surface tin-plated (0.0002) over copper (0.00005).
Terminals: Pressure plate terminals.
Material: Black, UL Rated 94V0 Thermoplastic (125°C)
Operating Temperature: -55°C to 105°C (212°F)
Agency Information: CSA File 47235

13848-08G02B



13847-08T02B

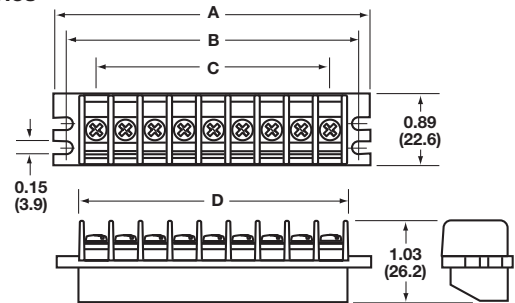


| Poles | A | B | C | D |
|-------|------|------|------|------|
| 04 | 2.25 | 1.87 | 1.12 | 1.53 |
| 05 | 2.62 | 2.25 | 1.50 | 1.90 |
| 06 | 3.00 | 2.62 | 1.87 | 2.28 |
| 07 | 3.37 | 3.00 | 2.25 | 2.65 |
| 08 | 3.75 | 3.37 | 2.62 | 3.03 |
| 09 | 4.12 | 3.75 | 3.00 | 3.40 |
| 10 | 4.50 | 4.12 | 3.37 | 3.78 |
| 11 | 4.87 | 4.50 | 3.75 | 4.15 |
| 12 | 5.25 | 4.87 | 4.12 | 4.53 |
| 13 | 5.62 | 5.25 | 4.50 | 4.90 |
| 14 | 6.00 | 5.62 | 4.87 | 5.28 |
| 15 | 6.37 | 6.00 | 5.25 | 5.65 |
| 16 | 6.75 | 6.37 | 5.62 | 6.03 |

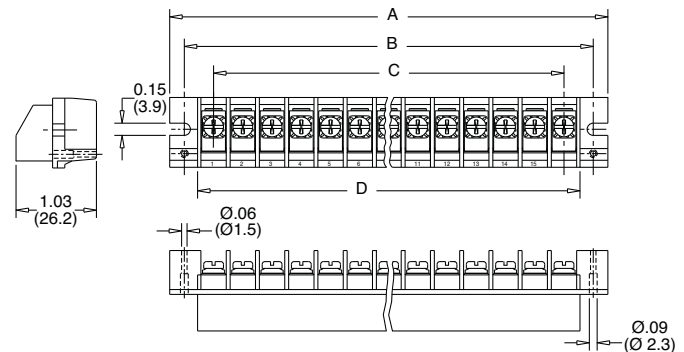
* Dimensions in inches. To convert to millimeters, multiply by 25.4.
 Optional polarizing key (Part No. C5971) consult with factory.

Dimensions - in (mm)

13847 Series



13848 Series



Part Numbering System Inches (Millimeters)

| Series | Block Style | Poles | Terminal Plating | Screw Style | Block Color | Special Options |
|--------|---|----------|----------------------------------|---|-------------|-------------------|
| 1384 | 7 - Flat mtg. ears w/ 2 slots 8 - Mtg. ears w/2 standoffs with hole for mounting strip | 04 to 16 | T - Tin over copper G - Gold* | 02 - #6-32 pan head. w/ SEMS wire clamp | B - Black | M - Marking strip |

* Consult Factory

Terminal Blocks:
Single & Double Row

EuroMug Series

Terminal Blocks:
Base & Rail Mount

Power Distribution
Blocks

Wire Management
Products

Edge Connectors,
One-Sided Boards

Compliance
References

Series 15104

Edge Connectors – 1 Sided Boards / Right Angle Mount

SPECIFICATIONS

Rating: 10A, 300V
Center Spacing: 0.375" or 3/8" (9.52mm)
Wire Range: #12-22 AWG CU
Number of Poles: 6- to 28-poles
Screw Size: #6-32
Torque Rating: 12 lb-in
Terminals: Pressure plate terminals with screws set at 45° or 90° angle
PC Board: Edge contact accepts standard 1/16" (0.0625) PCB
Contacts: Tuning fork design of 0.021" thick phosphorus bronze with 0.0001" bright tin-plating
Material: Black, UL Rated 94V0 Thermoplastic
Operating Temperature: 95°C max.
Agency Information: UL File E62622, CSA File 47235

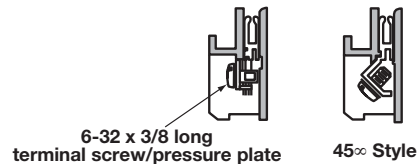


15104-061T1

| Poles | A | B | C | D | E | Board Width |
|-------|-------|-------|-------|-------|-------|-------------|
| 06 | 3.00 | 2.62 | 2.00 | 2.16 | 2.36 | 1.99 |
| 08 | 3.75 | 3.37 | 2.75 | 2.91 | 3.11 | 2.74 |
| 10 | 4.50 | 4.12 | 3.50 | 3.66 | 3.86 | 3.49 |
| 12 | 5.25 | 4.87 | 4.25 | 4.41 | 4.61 | 4.24 |
| 14 | 6.00 | 5.62 | 5.00 | 5.16 | 5.36 | 4.99 |
| 16 | 6.75 | 6.37 | 5.75 | 5.91 | 6.11 | 5.74 |
| 18 | 7.50 | 7.12 | 6.50 | 6.66 | 6.86 | 6.49 |
| 20 | 8.25 | 7.87 | 7.25 | 7.41 | 7.61 | 7.23 |
| 22 | 9.00 | 8.62 | 8.00 | 8.16 | 8.36 | 7.98 |
| 24 | 9.75 | 9.37 | 8.75 | 8.91 | 9.11 | 8.73 |
| 26 | 10.50 | 10.12 | 9.50 | 9.66 | 9.86 | 9.48 |
| 28 | 11.25 | 10.87 | 10.25 | 10.41 | 10.61 | 10.23 |

Dimensions - in (mm)

15104 Series



* Dimensions in inches. To convert to millimeters, multiply by 25.4.
 Integral standoffs for mounting marker strips - consult factory.

Part Numbering System

| Series | Poles | Terminal | Plating | Screw |
|--------|------------------------------------|-------------------------------------|---------------------------|---------------------------------------|
| 15104 | — □□ 06 to 28 (Increments of 2) | □ 1 - 90° angle 2 - 45° angle | □ T - Tin G - Gold* | □ 1 - #6-32 pan head. w/wire clamp |

* Consult Factory

Cooper Bussmann Compliance References

UL1059 & CSA 22.2 No. 158 Voltage Rating

Voltage ratings of terminal blocks are based on the minimum spacing between electrically conductive parts and a minimum withstand voltage. The spacings are measured under two conditions: 1) through air, defined as the shortest distance an arc must travel through an air path from one electrically conductive part to another at opposite polarity or from an electrically conductive part to a grounded surface; and 2) over surface, defined as the shortest distance an arc must travel as it tracks along the surface of an insulating material from one electrically conductive part to another at opposite polarity or from an electrically conductive part to a grounded surface. The withstand voltage, termed dielectric withstand, is dependent on the voltage rating. The value is 1000V plus twice the rated voltage for one minute. This is tested under both conditions listed above. The following chart shows the UL 1059 and CSA 22.2 No. 158 spacing requirements, in inches.

IEC Compliance

Some Magnum Terminal Blocks comply with the requirements in IEC Publication 60947-7-1 Terminal Blocks for Copper Conductors. These blocks are concurrently recognized and certified under the UL Classification Program. Ratings, except where indicated, are concurrent with UL 1059.

CE

In 1998, Cooper Bussmann received CE certification on all Magnum products. For terminal blocks, CE is a self-certification mark applied to products that have met safety and performance requirements set forth by the European Union (EU). This mark is required for free movement of product in the European market.

| Application | Voltage Rating | Spacing Through Air | Spacing Over Surface |
|---|----------------|---------------------|----------------------|
| CLASS A Service equipment, including dead-front switchboards, panelboards, service entrance devices, etc. | 51 - 150 | 0.50 | 0.75 |
| | 151 - 300 | 0.75 | 1.25 |
| | 301 - 600 | 1.00 | 2.00 |
| CLASS B Commercial appliances, including business equipment, electronic data processing equipment, etc. | 51 - 150 | 0.06 | 0.06 |
| | 151 - 300 | 0.09 | 0.09 |
| | 301 - 600 | 0.38 | 0.50 |
| CLASS C General industrial, including machine tool controls, which can further be defined as equipment governed by UL508. | 51 - 150 | 0.13 | 0.25 |
| | 151 - 300 | 0.25 | 0.38 |
| | 301 - 600 | 0.38 | 0.50 |
| CLASS D Industrial devices having limited ratings. | 51 - 300 | 0.06 | 0.13 |
| | 301 - 600 | 0.19 | 0.38 |

| Magnum Series | CLASS A | | | CLASS B | | | CLASS C | | | CLASS D | |
|---------------|--------------|---------------|---------------|--------------|---------------|---------------|--------------|---------------|---------------|--------------|---------------|
| | 51-150 Volts | 151-300 Volts | 301-600 Volts | 51-150 Volts | 151-300 Volts | 301-600 Volts | 51-150 Volts | 151-300 Volts | 301-600 Volts | 51-300 Volts | 301-600 Volts |
| A/CB1000 | | | | | X | | X | | | X | |
| A/CB2000 | | | | | X | | | X | | | |
| LP2000 | | | | | X | | X | | | | |
| A/CB3000 | | | | | | X | | | X | | |
| LP3000 | | | | | X | | X | | | | |
| A/B4000 | X | | | | | X | | | X | | |
| A/CB5000 | | | | | X | | X | | | X | |
| 7000 | | | | X | | | X | | | | |
| TB100 | | | | | X | | X | | | X | |
| TB200 | | | | | X | | | X | | | X |
| TB200HB | | | | | | X | | | X | | X |
| TB300 | | | | | | X | | | X | | X |
| TB400 | | | | | | X | | | X | | |

Terminal Blocks:
Single & Double Row

EuroMag Series

Terminal Blocks:
Base & Rail Mount

Power Distribution
Blocks

Wire Management
Products

Edge Connectors,
One-Sided Boards

Compliance
References

Customer Satisfaction Team

Available to answer questions regarding Magnum products Monday-Friday, 8:00 a.m. – 6:00 p.m. Central Time for all US time zones. Contact:

- Phone: 636-527-3877
- Toll-free fax: 800-544-2570
- E-mail: busscustsat@cooperindustries.com

C³ – the Enhanced, Online Cooper Customer Center

Provides real time product availability, net pricing, order status & shipment tracking across six Cooper divisions: B-line, Bussmann, Crouse-hinds, Lighting, Power Systems & Wiring Devices. Call 877-995-5955 for log-in assistance. Available at:

- www.cooperc3.com

Application Engineering

Technical assistance is available to all customers. Staffed by degreed electrical engineers, this application support is available Monday-Friday, 8:00 a.m. – 5:00 p.m. Central Time. Contact:

- Phone: 636-527-1270
- Fax: 636-527-1607
- E-mail: fusetech@cooperindustries.com
- Live Chat: www.cooperbussmann.com

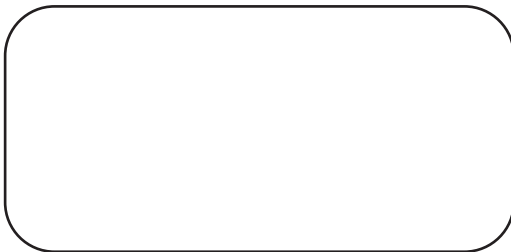
Online Resources

Visit www.cooperbussmann.com for the following resources:

- Product search & cross-reference
- Product & technical materials
- Solutions centers for information on topical issues including arc-flash, selective coordination & short-circuit current rating
- Technical tools, like our arc-flash calculator

© 2009 Cooper Bussmann
St. Louis, MO 63178
636-394-2877
www.cooperbussmann.com

Your Authorized Magnum Distributor is:



Cooper Industries, Ltd.
600 Travis, Ste. 5800
Houston, TX 77002-1001
P: 713-209-8400
www.cooperindustries.com

Reorder # 7001 0809

PDF Only

 **COOPER** Bussmann