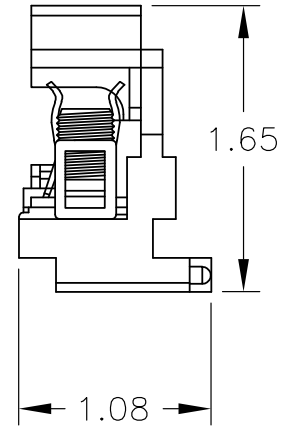
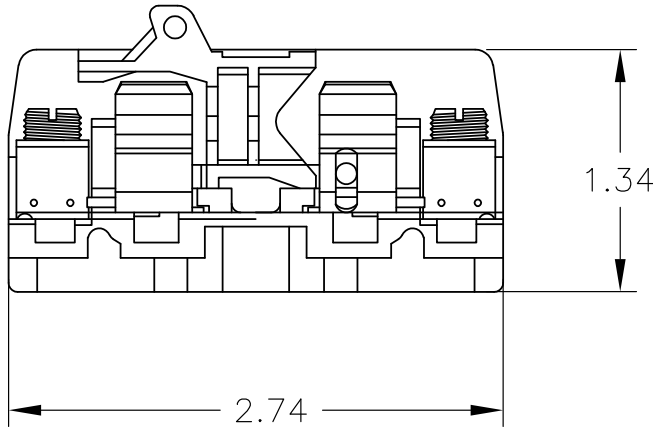
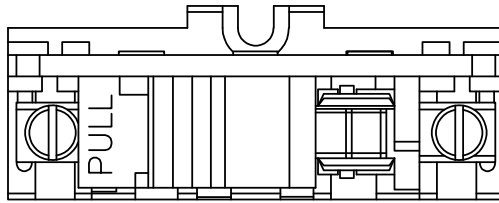


LOC	DIST	REVISIONS					
		P	LTR	DESCRIPTION	DATE	DWN	APVD
—	—		A	REDRAWN PER ECO-08-023052	30SEP08	HMR	SM
			A1	REVISED PER ECO-09-024927	10NOV09	KK	AEG



1 OBSOLETE PARTS: OBSOLETE CIS STREAMLINING PER D.RENAUD/D.SINISI

	0352	PHENOLIC, DOVETAIL	1-1437397-0	
	352	PHENOLIC, FLAT	3-1437397-0	
1	OBSOLETE	P0312	POLY DOVETAIL	4-1437397-2
	0312	NYLON DOVETAIL	1437397-2	
	CAT. NO.	DESCRIPTION	PART NO.	

THIS DRAWING IS UNPUBLISHED. ALL INTERNATIONAL RIGHTS RESERVED. BY TYCO ELECTRONICS CORPORATION.

DIMENSIONS: INCHES TOLERANCES UNLESS OTHERWISE SPECIFIED: 0 PLC ± - 1 PLC ± - 2 PLC ± .01 3 PLC ± .005 4 PLC ± .0005 ANGLES ± 1°	DWN RAGHAVENDRA 30SEP08	MATERIAL -	FINISH -
	CHK MACE SAM 30SEP08	Tyco Electronics Corporation Harrisburg, PA 17105-3608	
APVD MACE SAM 30SEP08	NAME		
PRODUCT SPEC -	CANTACT SECTION W/ FUSE PULLER & TUBULAR CONTACT		
APPLICATION SPEC -	SIZE	CAGE CODE	DRAWING NO
WEIGHT -	A4	00779	C-1437397-2
CUSTOMER DRAWING		RESTRICTED TO -	SCALE 1:1 SHEET 1 OF 1 REV A1