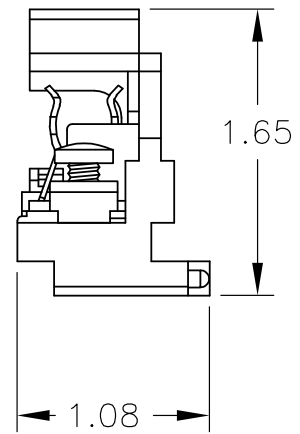
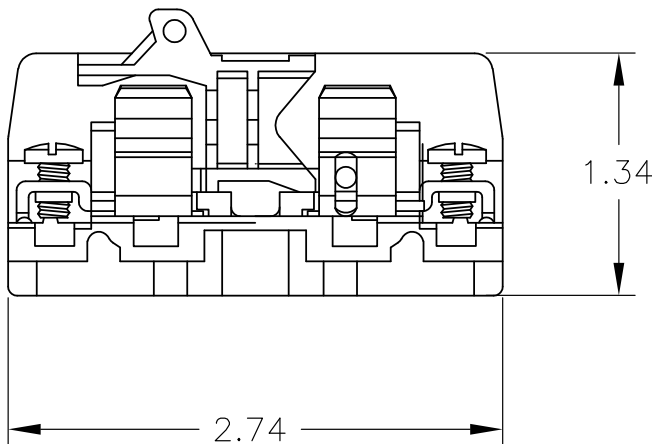
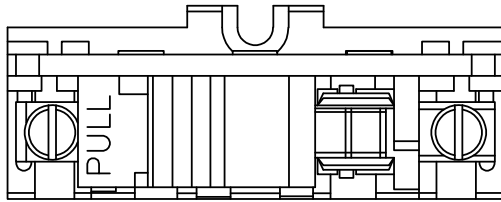
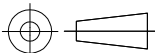


LOC	DIST	REVISIONS					
—	—	P	LTR	DESCRIPTION	DATE	DWN	APVD
			A	REDRAWN PER ECO-08-023052	30SEP08	HMR	SM



THIS DRAWING IS UNPUBLISHED.
 ALL INTERNATIONAL RIGHTS RESERVED.
 BY TYCO ELECTRONICS CORPORATION.

0351	PHENOLIC, DOVETAIL	1437397-9
351	PHENOLIC, FLAT	2-1437397-8
P0311	POLY DOVETAIL	4-1437397-0
0311	NYLON DOVETAIL	1437397-1
CAT. NO.	DESCRIPTION	PART NO.

DIMENSIONS: INCHES TOLERANCES UNLESS OTHERWISE SPECIFIED: 0 PLC ± - 1 PLC ± - 2 PLC ± .01 3 PLC ± .005 4 PLC ± .0005 ANGLES ± 1°	DWN RAGHAVENDRA 30SEP08 CHK MACE SAM 30SEP08 APVD MACE SAM 30SEP08	MATERIAL - FINISH - Tyco Electronics Tyco Electronics Corporation Harrisburg, PA 17105-3608
	PRODUCT SPEC - APPLICATION SPEC - WEIGHT -	NAME CONTACT SECTION W/ FUSE PULLER & TUBULAR CONTACT
	SIZE A4 CAGE CODE 00779 DRAWING NO. C-1437397-1	RESTRICTED TO - SCALE 1:1 SHEET 1 OF 1 REV A
CUSTOMER DRAWING		