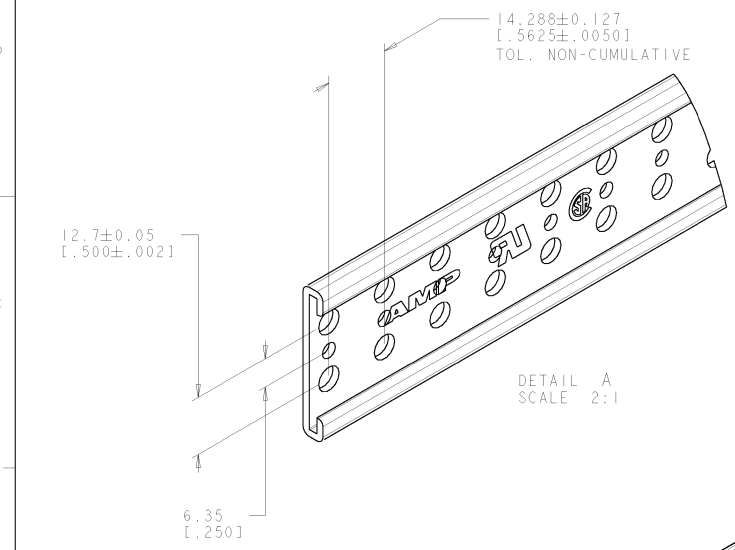
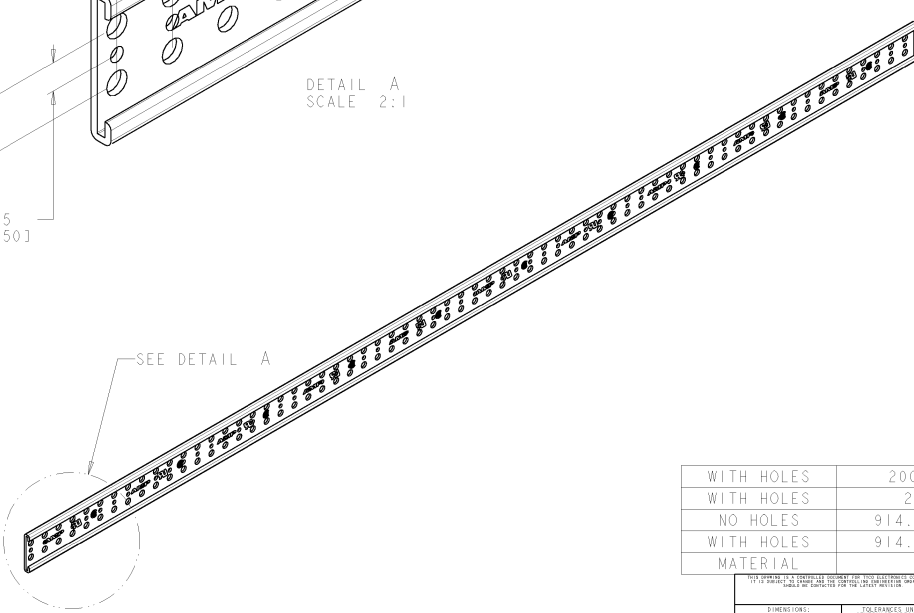


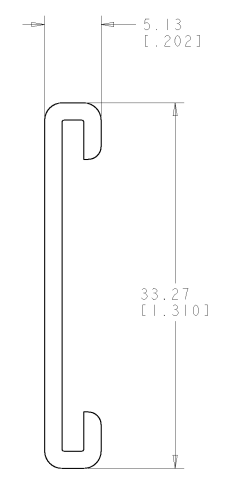
REV	DATE	BY	CHKD	DESCRIPTION
A	070603	GG	MD	RLSD; EC 0B40-0001-03
B	07JUN04	LH	LH	OBS 1/1; EC 0B40-0264-04
C	07JUN04	LH	SM	REACTIVATE/REV-EC 0B40-0138-04



DETAIL A  
SCALE 2:1



1. MATERIAL: NORYL EN265, 1.57 [1.062] THICK.



SCALE 4:1

WITH HOLES	200.03[7.875] ± 3.18[.125]	1-601806-7
WITH HOLES	241.3[9.5] ± 3.18[.125]	1-601806-6
NO HOLES	914.4[36.00] +19.05[.75] / -0	1-601806-3
WITH HOLES	914.4[36.00] +19.05[.75] / -0	1-601806-1
MATERIAL	LENGTH	PART NUMBER

DIMENSIONS: MM (INCHES)		DIMENSIONS: INCHES (MILLIMETERS)		DWN G. GARRETT D/MAR03	tyco Electronics Tyco Electronics Harrisburg, PA 17105-3400
DIMENSIONS: MM (INCHES)		DIMENSIONS: INCHES (MILLIMETERS)		CHN M. DELPHIAS D/MAR03	MOUNTING TRACK, FLEXI-BLOCK
DIMENSIONS: MM (INCHES)		DIMENSIONS: INCHES (MILLIMETERS)		APPR M. DELPHIAS D/MAR03	
DIMENSIONS: MM (INCHES)		DIMENSIONS: INCHES (MILLIMETERS)		PRODUCT SPEC APPLICATION SPEC WEIGHT FINISH	SIZE CASE CODE DRAWING NO A2100779 C-601806
DIMENSIONS: MM (INCHES)		DIMENSIONS: INCHES (MILLIMETERS)		CUSTOMER DRAWING	RESTRICTED TO SCALE 1:2 SHEET 1 OF 1 REV C