

4

3

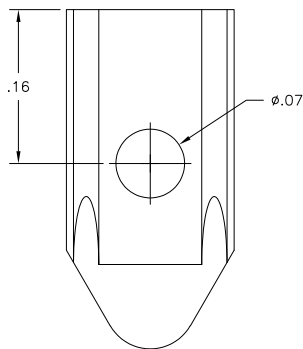
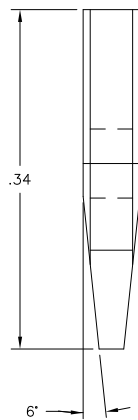
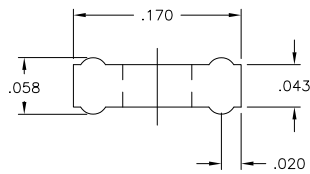
2

1

THIS DRAWING IS UNPUBLISHED. RELEASED FOR PUBLICATION
 © COPYRIGHT - BY TYCO ELECTRONICS CORPORATION. ALL INTERNATIONAL RIGHTS RESERVED.

LOC	DIST	REVISIONS					
FT	0	P	LTR	DESCRIPTION	DATE	DWN	APVD
		A	-		1/6/09	SS	SM

△ MATERIAL: NYLON.



PC17	1437410-5
CAT. NO.	PART NUMBER

THIS DRAWING IS A CONTROLLED DOCUMENT.		DWN	S SCHLEGEL	06JAN2009	 Tyco Electronics Corporation Harrisburg, PA 17105-3608																	
DIMENSIONS:		CHK	S MACE	1/6/09																		
INCHES		APVD	S MACE	1/6/09																		
<table border="1"> <tr> <td>0</td> <td>PLC</td> <td>± -</td> </tr> <tr> <td>1</td> <td>PLC</td> <td>± -</td> </tr> <tr> <td>2</td> <td>PLC</td> <td>± .02</td> </tr> <tr> <td>3</td> <td>PLC</td> <td>± .005</td> </tr> <tr> <td>4</td> <td>PLC</td> <td>± -</td> </tr> <tr> <td colspan="2">ANGLES</td> <td>± 1°</td> </tr> </table>		0	PLC	± -		1	PLC	± -	2	PLC	± .02	3	PLC	± .005	4	PLC	± -	ANGLES		± 1°	NAME	PC17 KEYING PLUG PCB
0	PLC	± -																				
1	PLC	± -																				
2	PLC	± .02																				
3	PLC	± .005																				
4	PLC	± -																				
ANGLES		± 1°																				
MATERIAL	-	WEIGHT	-	SIZE	A3	CAGE CODE	00779	DRAWING NO	1437410-5	RESTRICTED TO	-											
FINISH		CUSTOMER DRAWING		SCALE	10:1	SHEET	1 OF 1	REV	A													