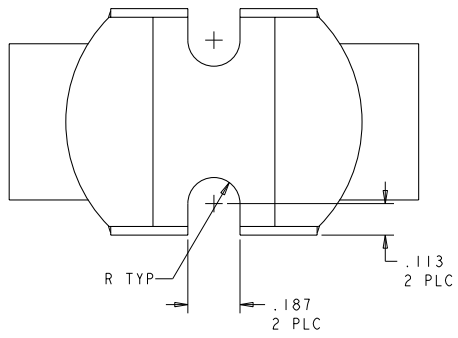
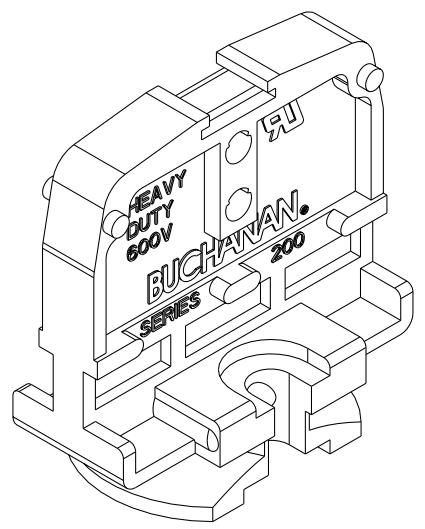
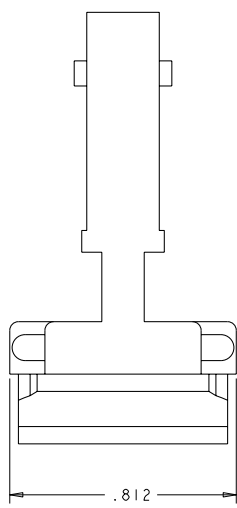
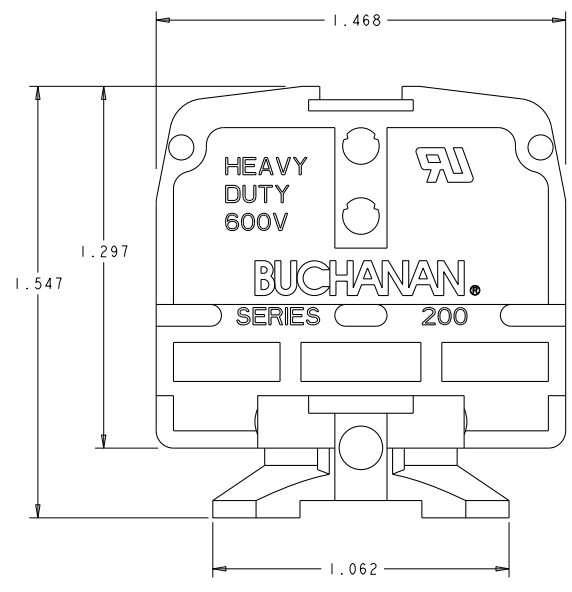


THIS DRAWING IS UNPUBLISHED. RELEASED FOR PUBLICATION BY TYCO ELECTRONICS CORPORATION. ALL RIGHTS RESERVED. COPYRIGHT 20

REV	DATE	BY	CHKD	APPROV
J	30JAN2006	SW	ST	
J1	25MAR2006	SW	ST	
K	30JUN2008	HMR	FD	



1. PHENOLIC, UL 94V-1 RATED, COLOR: BLACK.

1-1437390-4
PART NUMBER

DIMENSIONS: INCHES 0 PLC ±0.0 1 PLC ±0.05 2 PLC ±0.10 3 PLC ±0.15 4 PLC ±0.20 ANGLES ±0.0000		DATE: 30JAN2006 DESIGNED BY: S. WELDON CHECKED BY: S. YODER APPROVED BY: S. YODER PRODUCT SPEC: - APPLICATION SPEC: - WEIGHT: - FINISH: - CUSTOMER DRAWING	DATE: 30JAN2006 NAME: S. YODER TITLE: - CASE CODE: A200779 DRAWING NO: C-1447855 SCALE: 4:1 SHEET: 1 OF 1 REV: K	Tyco Electronics Harrisburg, PA 17105-3608 END MOUNTING SECTION HEAVY DUTY, DOVETAIL BASE	RESTRICTED TO: -
--	--	--	---	---	------------------