

4

3

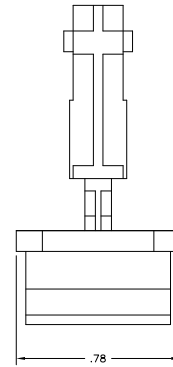
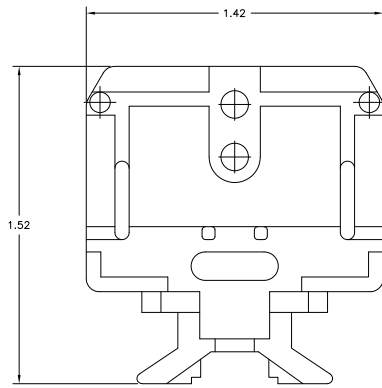
2

1

THIS DRAWING IS UNPUBLISHED. RELEASED FOR PUBLICATION
 © COPYRIGHT BY TYCO ELECTRONICS CORPORATION. ALL INTERNATIONAL RIGHTS RESERVED.

LOC	DIST	REVISIONS				
		P	LTR	DATE	MIN	APVD
		A	-	10/23/08	SS	SM

△ MATERIAL: NYLON



2-1437390-5
PART NUMBER

THIS DRAWING IS A CONTROLLED DOCUMENT.		DRN S SCHLEGEL 25JAN2008	Tyco Electronics Corporation Harrisburg, PA 17105-3608	
DIMENSIONS: INCHES		CRK S MACE 10/23/08	HD END SECTION DOVE TAIL BASE 600V	
TOLERANCES UNLESS OTHERWISE SPECIFIED:		APVD S MACE 10/23/08	RESTRICTED TO	
0 PLC ± .005	1 PLC ± .005	PRODUCT SPEC	SIZE	CAGE CODE
2 PLC ± .010	3 PLC ± .020	APPLICATION SPEC	A2	00779
4 PLC ± .030	ANGLES ± .5°	WEIGHT	2-1437390-5	
MATERIAL		FINISH	CUSTOMER DRAWING	
△		SCALE		NTS
		SHEET		1 of 1
		REV		A

1471-9 (1/08)

2-1437390-5

A