

4

3

2

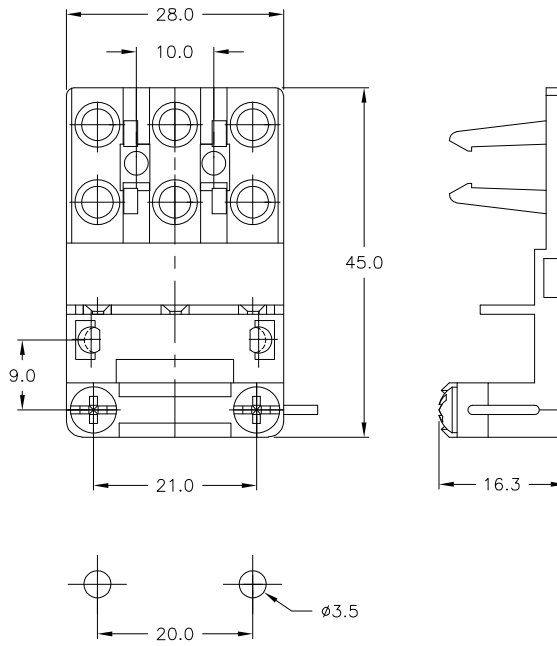
1

THIS DRAWING IS UNPUBLISHED. RELEASED FOR PUBLICATION
 © COPYRIGHT - BY TYCO ELECTRONICS CORPORATION. ALL RIGHTS RESERVED.

LOC	DIST	REVISIONS			
P	LTR	DESCRIPTION	DATE	DWN	APVD
FT	0				
		A1	REVISED PER ECO-05-8197	8/30/05	SS CR

MATERIAL:
 HOUSING: POLYAMIDE 6/6, WHITE.
 TRACKING RESISTANCE PTI 600.
 SCREWS: STEEL, ZINC PLATED.
 CONDUCTOR SIZE: ϕ 5.5-11.0mm.

ENVIRONMENTAL:
 CONTINUOUS WORKING TEMP.: 100°C.
 SHORT TIME TEMP.: 160°C.



HOLE PATTERN

1546182-2
 PART NUMBER

THIS DRAWING IS A CONTROLLED DOCUMENT.		DWN S SCHLEGEL	30AUG05	tyco Electronics	Tyco Electronics Corporation Harrisburg, Pa 17105-3608	
DIMENSIONS: mm		CHK C RICHARD	8/30/05		NAME STRAIN RELIEF TYPE 500 ZEL RZ	
TOLERANCES UNLESS OTHERWISE SPECIFIED:		APVD C RICHARD	8/30/05	PRODUCT SPEC		
0 PLC ± -		APPLICATION SPEC		SIZE CAGE CODE DRAWING NO		
1 PLC ± -		WEIGHT		A3 00779 C=1546182		
2 PLC ± -		CUSTOMER DRAWING		RESTRICTED TO		
3 PLC ± -		SCALE		NTS		
4 PLC ± -		SHEET		1 OF 1		
ANGLES ± -		REV		A1		
FINISH		MATERIAL				