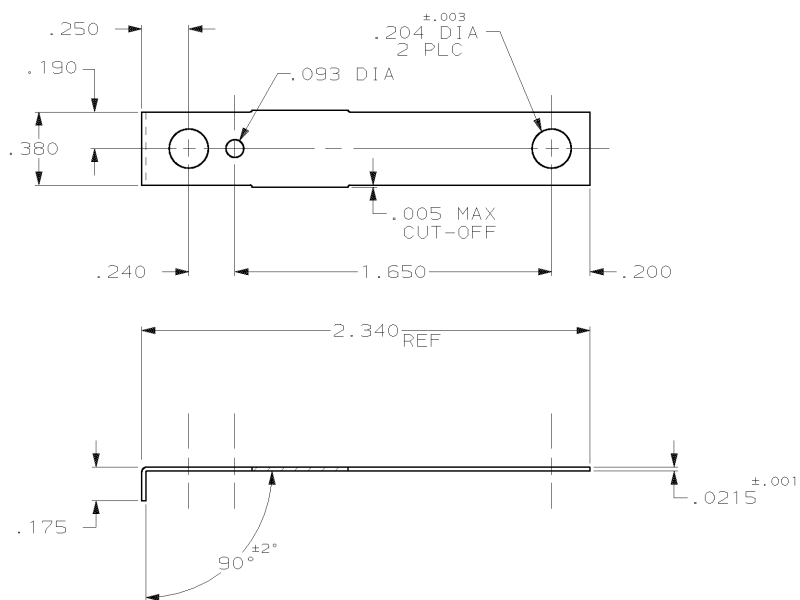


DRAWING MADE IN THIRD ANGLE PROJECTION

THIS DRAWING IS UNPUBLISHED. RELEASED FOR PUBLICATION
 © COPYRIGHT 19 BY AMP INCORPORATED, HARRISBURG, PA. ALL INTERNATIONAL RIGHTS RESERVED. AMP PRODUCTS MAY BE COVERED BY U.S. AND FOREIGN PATENTS AND/OR PATENTS PENDING.

LOC	DIST	P	F	ZONE	LTR	DESCRIPTION	DATE	APPROVED
AF	50				E	REVISED PER 0L10-0240-97	02/JUN/97	PF/JP



1 SUPPLIED IN LOOSE PIECE.

63450-1

PART NO

UNLESS OTHERWISE SPECIFIED DIMENSIONS ARE IN INCHES TOLERANCES ON: 2 PL DEC ± - 3 PL DEC ± .015 ANGLES ± -	DR	JR RUTH	2/10/87	AMP	AMP INCORPORATED Harrisburg, Pa. 17105	
	CHK	G YETTER	2/11/87		NAME	
MATERIAL COPPER ANNEALED	APPD	TL SHUTTER	2/11/87	GROUNDING STRAP		
	PRODUCT SPEC	-				
FINISH PRE-TIN	APPLICATION SPEC	-		SIZE	FSCM NO	DRAWING NO
	WEIGHT	-		B	00779	63450
				SCALE	NTS	SHEET 1 OF 1

AMP 1470-15 REV 10-84

02-JUN-97 10:21:22 amp17795 /ws/dept2122/dwg2122/u.qr-strap

CUSTOMER DRAWING