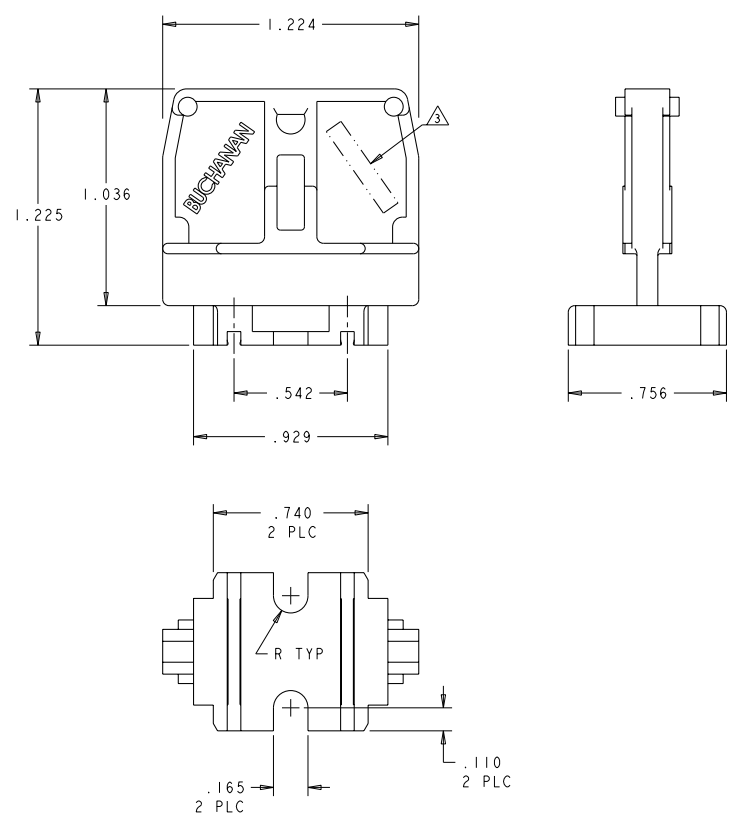


THIS DRAWING IS UNPUBLISHED. RELEASED FOR PUBLICATION BY TYCO ELECTRONICS CORPORATION. ALL RIGHTS RESERVED. COPYRIGHT 20

LOC	DIST	REVISIONS					
FT	0	P	LYR	DESCRIPTION	DATE	BY	APPR
		D		REVISED PER ECO-10-006414	20MAR2010	HMR	CR



- △ POLYESTER, UL 94V-0 RATED, COLOR: GRAY.
- △ SEE RESTRICTED CUSTOMER DRAWING 3-1437394-9.
- △ TYCO ELECTRONICS LOGO LOCATED APPROXIMATELY AS SHOWN

3-1437394-9
1546163-1
PART NUMBER

<small>TOP DIMENSIONS CONTAIN THE DIMENSIONS FOR THE UNFINISHED COMPONENT UNLESS OTHERWISE SPECIFIED. DIMENSIONS IN PARENTHESES ARE FOR THE LOCAL REVISED.</small>		DWG: S. WELDON 13JUN2002 CD: S. YODER 13JUN2002 APPR: S. YODER 13JUN2002	Tyco Electronics Harrisburg, PA 17105-3608
DIMENSIONS: INCHES	TOLERANCES UNLESS OTHERWISE SPECIFIED: 0 PLC ± .010 1 PLC ± .010 2 PLC ± .010 3 PLC ± .010 4 PLC ± .010 ANGLES ± .5°	NAME: S. YODER PRODUCT SPEC: APPLICATION SPEC: WEIGHT: FINISH:	TITLE: TERMINAL BLOCK, END SECTION MEDIUM DUTY, FLAT BASE SIZE: A2 CASE CODE: 00779 DRAWING NO: 1546163 RESTRICTED TO:
MATERIAL:		CUSTOMER DRAWING	SCALE: 3:1 SHEET 1 OF 1 REV D