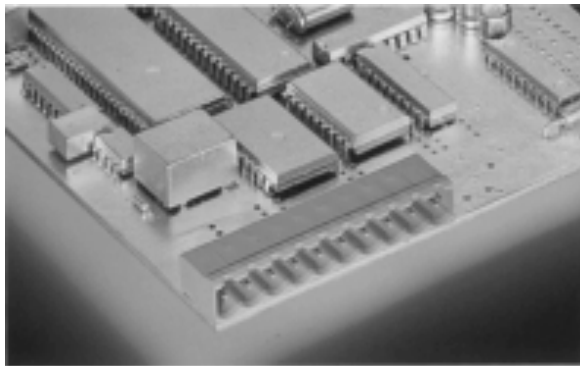


2-20 poles, Spacing 3.81 mm  
insert required no. of poles **X**  
How to order see page 5



2-24 poles, Spacing 5.0 mm or 5.08 mm  
insert required no. of poles **X**  
How to order see page 5



0 V  
A  
VG 28-16

160 V  
9 A (T60)  
1.5 mm<sup>2</sup>  
4 kV/3  
0.4 Nm/M2

1.5 mm<sup>2</sup>  
1.0 mm<sup>2</sup>  
1.0 mm<sup>2</sup>

3.81 mm  
7.0 mm

PA  
UL94 V-0  
-30°C/+105°C  
CuZn  
CuSn



**Ratings:**

Rated Voltage	300 V	250 V
Rated Current	15 A	12 A (T60)
Rating Impulse Voltage/Dirt Level		4 kV/3

**Dimensions**

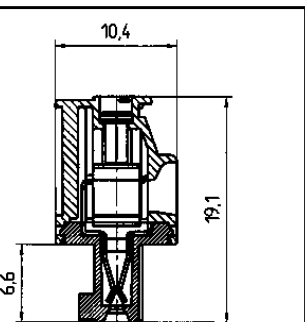
Spacing	5.0 mm (5.08 mm)
PCB Hole Diameter	1.4 mm

**Materials**

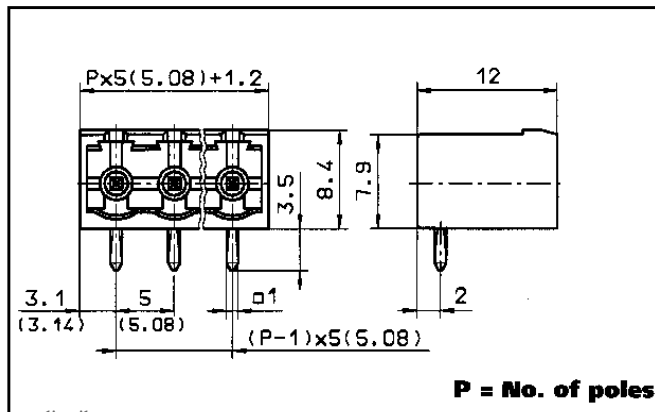
Insulating Material	PA/PBTP
Flammability Class	UL94 V-0
Temperature Range	-30°C/+105°C
Contact Pin	Cu

**Color**

Green



**P = No. of poles**



**P = No. of poles**