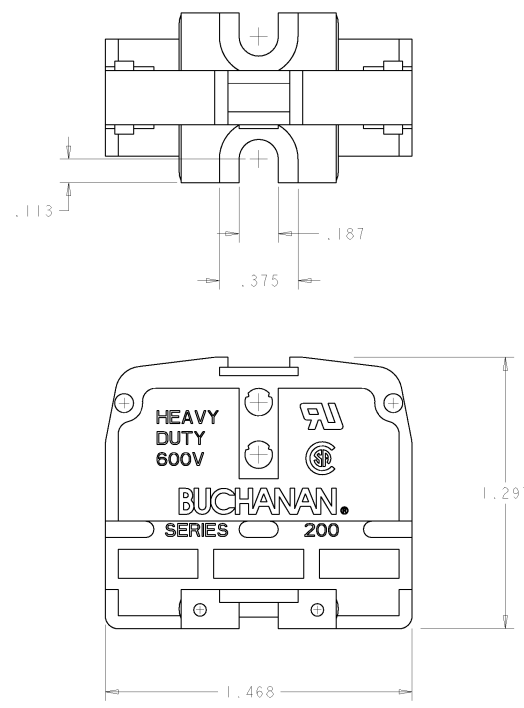
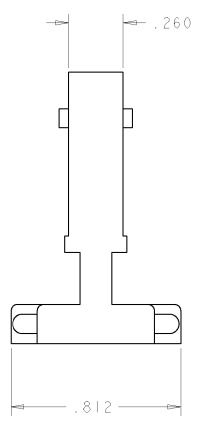


THIS DRAWING IS UNPUBLISHED. RELEASED FOR PUBLICATION BY TICO ELECTRONICS CORPORATION. ALL RIGHTS RESERVED.

REV	DATE	BY	CHKD	DESCRIPTION
A	27SEP2001	SW	SY	RELEASED PER EC 063B-0339-01



- 1. PHENOLIC, COLOR: BLACK
- 2. FOR USE WITH 200 SERIES CONTACT SECTIONS; ONE END SECTION PER BLOCK ASSEMBLY.
- 3. MOUNT WITH #8 SCREW.



230-BU	1-1437381-7
BUCHANAN CATALOG NO.	PART NUMBER

DIMENSIONS: INCHES 0 PLC RD-0 1 PLC RD-0 2 PLC RD-0 3 PLC RD-010 4 PLC RD-0000 ANGLES FINISH		DWN 27SEP2001 CBY S. WELDON CBY S. YODER CBY S. YODER DATE 27SEP2001 PRODUCT SPEC APPLICATION SPEC WEIGHT CUSTOMER DRAWING	TICO Electronics Harrisburg, PA 17105-3600 <b>BUCHANAN</b> END MOUNTING SECTION, HEAVY DUTY PHENOLIC, FLAT BASE SIZE CASE CODE DRAWING NO A2100779 1-1437381-7 SCALE 3:1 SHEET 1 OF 1 REV A	RESTRICTED TO
---	--	--	---	---------------

AMP 1471-8 REV 2004000  
 PFC/ENGINEER DRAWING