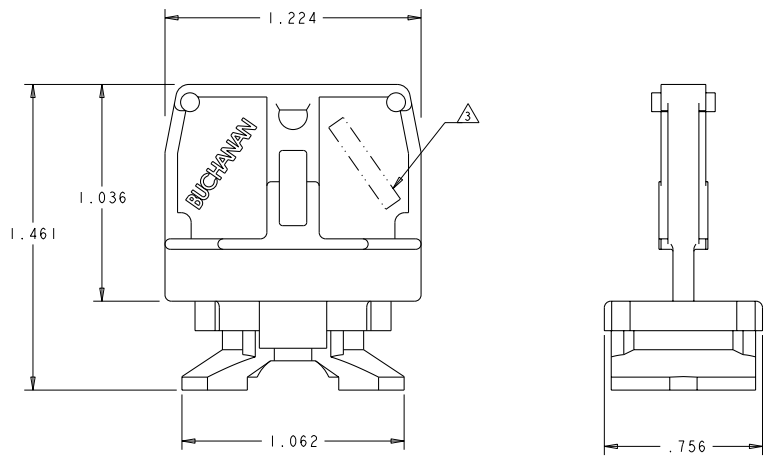
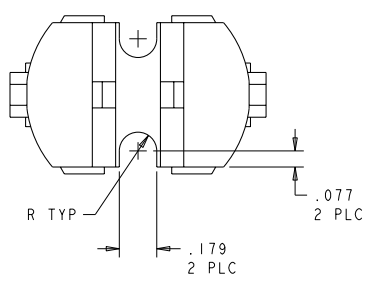


THIS DRAWING IS UNPUBLISHED. RELEASED FOR PUBLICATION BY TYCO ELECTRONICS CORPORATION. ALL RIGHTS RESERVED. COPYRIGHT 20

REV	DATE	BY	CHKD	APPROV
D	29MAR2010	HMR	CR	



- △ POLYESTER, UL 94V-0 RATED, COLOR: GRAY.
- △ SEE RESTRICTED CUSTOMER DRAWING 3-1437394-8.
- △ TYCOELECTRONICS LOGO LOCATED APPROXIMATELY AS SHOWN.



3-1437394-8
1546164-1
PART NUMBER

DIMENSIONS: INCHES		TO DIMENSIONS UNLESS OTHERWISE SPECIFIED		DWG S. WELDON 13JUN2002	Tyc Electronics Harrisburg, PA 17105-3608
TOLERANCES UNLESS OTHERWISE SPECIFIED: 0 PLC ±.010 1 PLC ±.010 2 PLC ±.010 3 PLC ±.010 4 PLC ±.010 ANGLES ±.5°		PRODUCT SPEC APPLICATION SPEC		APPR S. YODER 13JUN2002	NAME TERMINAL BLOCK, END SECTION MEDIUM DUTY, DOVETAIL BASE
MATERIAL △		FINISH -		WEIGHT -	SIZE CASE CODE DRAWING NO A2 00779 ©-1546164
CUSTOMER DRAWING				SCALE 3:1	SHEET 1 OF 1 REV D