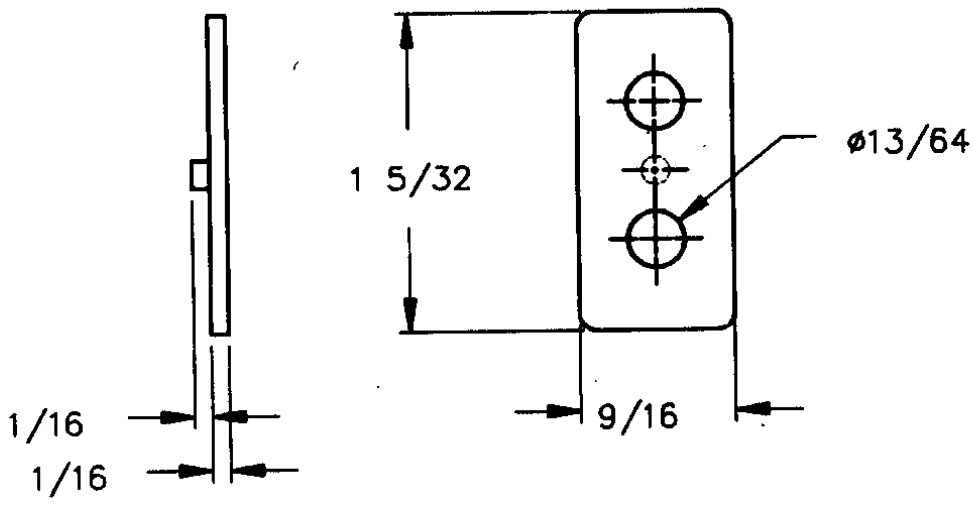



THIS DRAWING IS UNPUBLISHED.
 RELEASE FOR PUBLICATION MARCH 5, 1991
 BY AMP INCORPORATED. ALL RIGHTS RESERVED.
 © COPYRIGHT 1990



LOC	D		604161-1	AS SHOWN	
DWG SIZE	PART No.		DESCRIPTION		
DIST	1		← REVISION OF EACH ASSY NO. (WHEN BLANK, USE DWG REVISION)		
QTY. REQ'D. PER ASSY.			PARTS LIST		
			MATERIAL	NYLON 6/6 YELLOW	
			HEAT TREAT	H	
			FINISH	H	
			DIMENSIONS ARE IN INCHES		
			TOLERANCES UNLESS OTHERWISE SPECIFIED:		
			2 PL DEC ±.02		
			3 PL DEC ±.005		
			4 PL DEC ±.0005		
			ANGLES ±0° 30'		
			FRACTIONS ±1/64		
			SURF TEXTURE: J		
			REMOVE BURRS, BREAK SHARP EDGES, .015 R. MAX.		
			DRAWN BY:	arnert-cad imaging	
			DATE:	2-11-91	
			APPROVED BY:		
			CHECK BY:		
			RELEASE:	F. J. ... 3-5-91	
			 AMP INCORPORATED Harrisburg, Pa..		
			NAME: END STOP		
P	F	LTR	REVISION RECORD	APP	DATE
			O	ECN 12591 CAD	FH 2-91
SCALE:		DRAWING No.:		SHEET :	
NTS		A		1 OF 1	
		604161		REV.: 0	