



# P/N 1110748 Surface Mount-to-DIP JEDEC SOT-25, SOT-23A-6 Adapter

## FEATURES

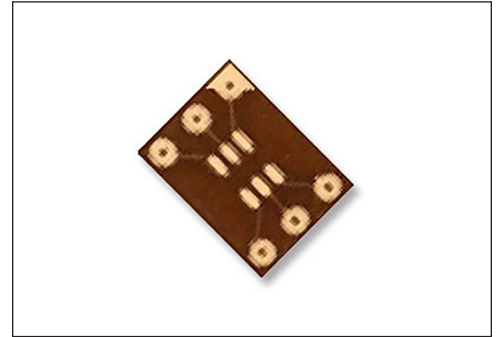
- Allows for breadboarding or substitution of Microgate SOT-23A-6 and SOT-25 IC and transistor packages into 0.100 [2.54] pitch proto boards or PC boards.
- Solder masked top-side pads allow user to hand solder devices directly to topside of adapter with fewer problems of solder bridging.
- Longer male bottom Pins available at special request for easy use of probe clips.
- Large topside pads allow for soldering test pins, jumpers, etc. to top of adapter.

## GENERAL SPECIFICATIONS

- BOARD MATERIAL: 0.062 [1.58] thick FR-4 manufactured to IPC-600E, Class 2 standards, with 1-oz. Cu traces, both sides
- PADS: HASL
- PINS: Brass 360 1/2-hard per UNS C36000, ASTM B16/B16M
- PIN PLATING: 200 $\mu$  [5.08 $\mu$ ] Sn/Pb 93/7 ASTM B579-73 over 100 $\mu$  [2.54 $\mu$ ] Ni per SAE-AMS-QQ-N-290
- OPERATING TEMPERATURE: 221°F [105°C]

## MOUNTING CONSIDERATIONS

- SUGGESTED PCB HOLE SIZE: 0.028  $\pm$  0.003 [0.71  $\pm$  0.08] dia.



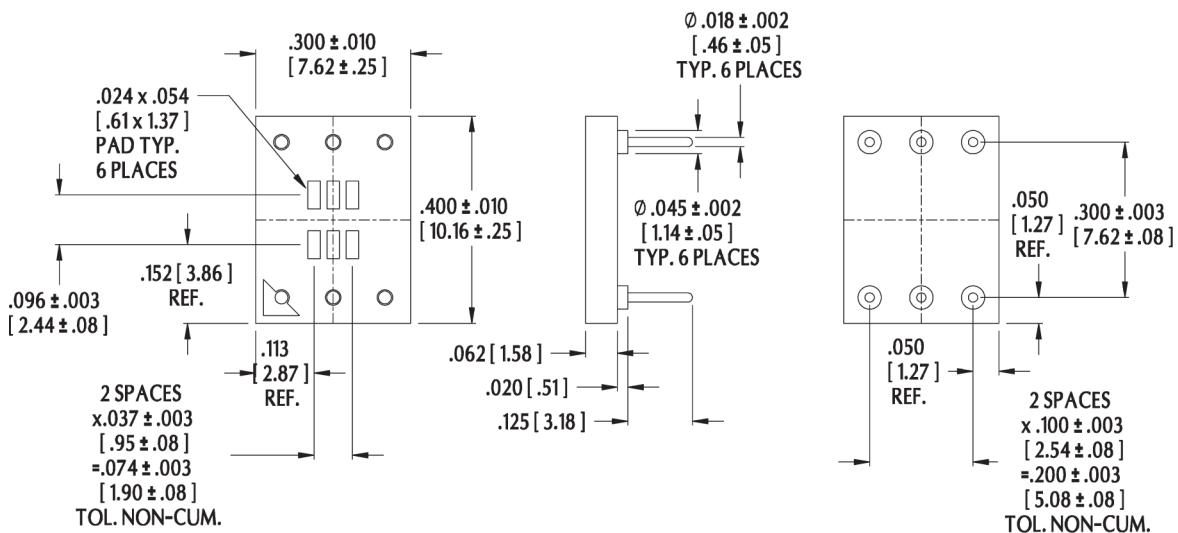
**CUSTOMIZATION:** In addition to the standard products shown on this page, Aries specializes in custom design and production. Special materials, platings, sizes, and configurations can be furnished, depending on the quantity. **NOTE:** Aries reserves the right to change product general specifications without notice.

## ORDERING INFORMATION

P/N 1110748

P/N 1110748-P for Panelized Version

ALL DIMENSIONS: INCHES [MILLIMETERS]  
 ALL TOLERANCES:  $\pm$ 0.005 [0.13] UNLESS OTHERWISE SPECIFIED  
 ALL CAC's ARE MANUFACTURED ND INSPECTED USING IPC -610B CLASS 2 GUIDELINES  
CONSULT FACTORY FOR MOUNTING CONSIDERATIONS OF CONSIGNED CHIPS.  
 CONSULT FACTORY FOR OTHER SIZES AND CONFIGURATIONS



Bristol, PA 19007-6810 USA  
 TEL (215) 781-9956 • FAX (215) 781-9845  
 WWW.ARIESELEC.COM • INFO@ARIESELEC.COM



PRINTOUTS OF THIS DOCUMENT MAY BE OUT OF DATE AND SHOULD BE CONSIDERED UNCONTROLLED

18043  
Rev. AA