



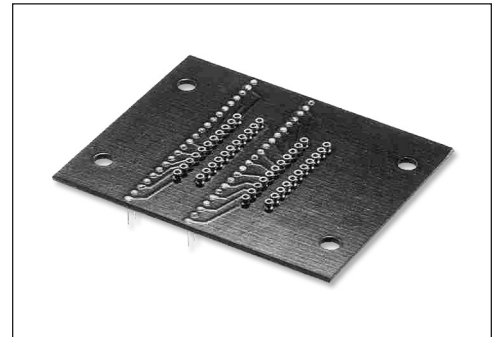
# Series 647 Universal SOIC-to-DIP 0.600 [15.24] Adapter

## FEATURES

- 44-pin adapter for mounting Aries Series 547 Universal SOIC ZIF Test Socket to 0.600 [15.24] DIP PCB layout.
- Consult **Data Sheet 10015** for test socket information.

## GENERAL SPECIFICATIONS

- BODY MATERIAL: black 0.062 [1.58] thick FR-4 or IS410 per IPC A4101A/26, 0.094 [2.39] thick, with 1-oz. min. Cu traces
- FEMALE PIN BODY: Brass 360 1/2-hard per UNS C36000 ASTM-B16-00
- FEMALE PIN BODY PLATING: 200 $\mu$  [5.08 $\mu$ ] min. Sn per ASTM B545 Type 1 over 100 $\mu$  [2.54 $\mu$ ] min. Ni per SAE AMS-QQ-N-290
- 4-FINGERED COLLET CONTACT: BeCu per UNS C17200 ASTM-B194-01
- COLLET CONTACT PLATING: 10 $\mu$  [0.254 $\mu$ ] min. Au per MIL-G-45204 over 50 $\mu$  [1.27 $\mu$ ] min. Ni per SAE AMS-QQ-N-290
- MALE PIN: Phosphor Bronze 544 UNS C5400 ASTM B139-90
- MALE PIN PLATING: 200 $\mu$  [5.08 $\mu$ ] min. Sn per ASTM B545 Type 1 over 100 $\mu$  [2.54 $\mu$ ] min. Ni per SAE AMS-QQ-N-290
- COLLET CONTACT CURRENT RATING: 3 amps
- OPERATING TEMPERATURE: 221°F [105°C]
- INSERTION FORCE: 180g/pin; based on a 0.018 [0.46] dia. test lead
- WITHDRAWAL FORCE: 90g/pin; based on a 0.018 [0.46] dia. test lead
- NORMAL FORCE: 140g/pin; based on a 0.018 [0.46] dia. test lead



**CUSTOMIZATION:** In addition to the standard products shown on this page, Aries specializes in custom design and production. Special materials, platings, sizes, and configurations can be furnished, depending on the quantity. **NOTE:** Aries reserves the right to change product general specifications without notice.

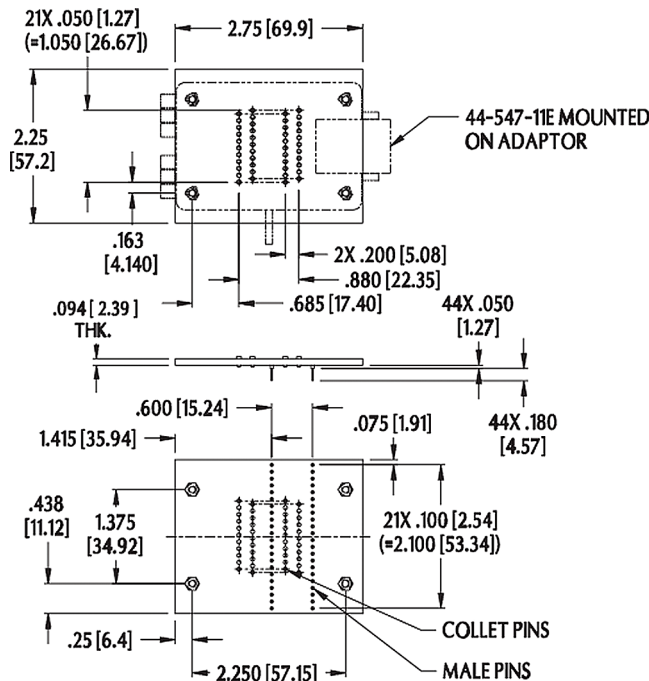
## ORDERING INFORMATION

Specify P/N 44-647-10

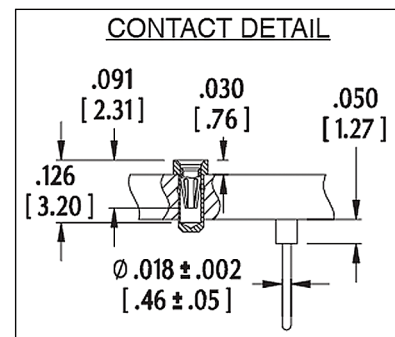
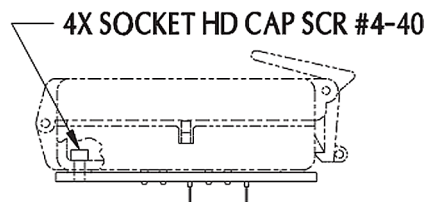
ALL DIMENSIONS: INCHES [MILLIMETERS]  
 ALL TOLERANCES:  $\pm 0.005$  [0.13] UNLESS OTHERWISE SPECIFIED  
 CONSULT FACTORY FOR OTHER SIZES AND CONFIGURATIONS

## MOUNTING CONSIDERATIONS

- SUGGESTED PCB HOLE SIZE: 0.028  $\pm$  0.002 [0.71  $\pm$  0.05] dia.



## MOUNTING CONSIDERATIONS



Bristol, PA 19007-6810 USA  
 TEL (215) 781-9956 • FAX (215) 781-9845  
 WWW.ARIESELEC.COM • INFO@ARIESELEC.COM



PRINTOUTS OF THIS DOCUMENT MAY BE OUT OF DATE AND SHOULD BE CONSIDERED UNCONTROLLED

10016  
 Rev. AA