



Series LP300 Programmers and Shorting Plugs

FEATURES:

- Shorting plugs mate with any .300 [7.62] center DIP socket to provide custom programming.
- Stacks on .100 [2.54] centers.
- Converts any socket into a DIP switch.

SPECIFICATIONS:

- Standard plug body material is Black UL94-V/0 4/6 Nylon.
- Pins are 3/4 hard Brass.
- Pin plating is 10μ [.25μm] min. Gold per MIL-G-45204 over 50μ [1.27μm] min. Nickel per SAE-AMS-QQ-N-290.
- Current rating=2 Amps.
- Operating temperature= -67° to 257°F [-55°C to 125°C]



Note: Aries specializes in custom design and production. In addition to the standard products shown on this page, special materials, platings, sizes, and configurations can be furnished, depending on quantities. Aries reserves the right to change product specifications without notice.

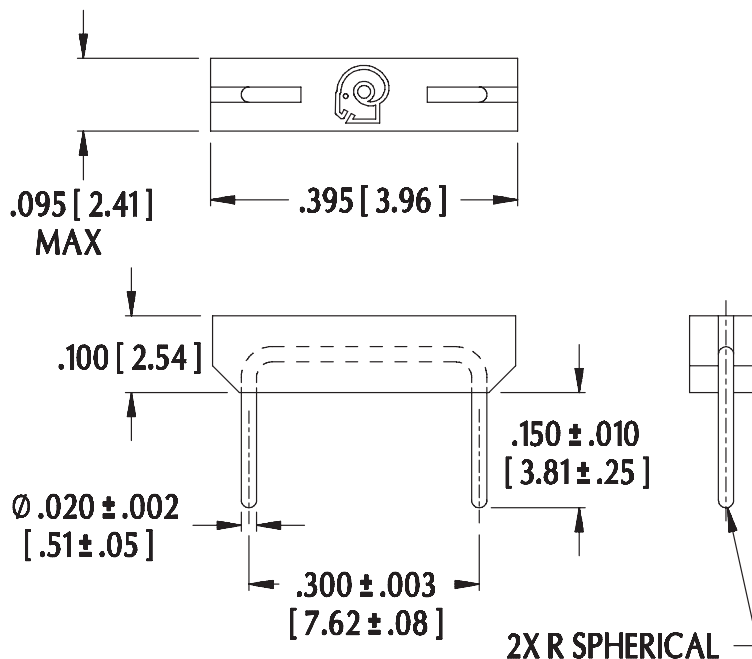
ALL DIMENSIONS: INCHES [MILLIMETERS]

All tolerances ± .005 [.13] unless otherwise specified

LP300
(LO-PRO®file plug)

ORDERING INFORMATION

Specify Part No. **LP300**
for LO-PRO®file plug
with Gold plating



Bristol, PA USA
TEL: (215) 781-9956
FAX: (215) 781-9845



16003
REV. D

PRINTOUTS OF THIS DOCUMENT MAY BE OUT OF DATE AND SHOULD BE CONSIDERED UNCONTROLLED