

4

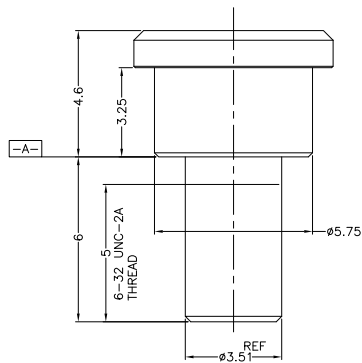
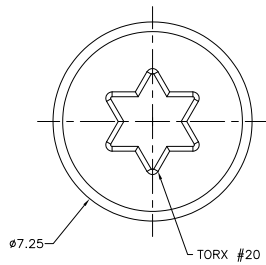
3

2

1

THIS DRAWING IS UNPUBLISHED. RELEASED FOR PUBLICATION
 © COPYRIGHT BY TYCO ELECTRONICS CORPORATION. ALL RIGHTS RESERVED.

LOC	DIST	REV	DESCRIPTION	DATE	BY	APPD
J	-	F	LR			
		A	REVISED	28.JUL'09	J.M	T.N



1. MATERIAL: STEEL
FINISH: NI PLATING
2. APPLICABLE ILM ASSEMBLY P/N: 2013882 SERIES

2013884-1

PART NUMBER

2013884-1 AS SHOWN

THIS DRAWING IS A CONTROLLED DOCUMENT.		DN J. MIZUSHIMA 03AJ2009	 Tyco Electronics Corporation Kawasaki, Japan	SIZE CASE CODE DRAWING NO		RESTRICTED TO
DIMENSIONS SIZE: IN mm	TOLERANCES UNLESS OTHERWISE SPECIFIED:	CHK H. TAGUCHI 03AJ2009		NAME T. NAKASHIMA 03AJ2009	A2	00779
0-PLD ±0.3 1-PLD ±0.3 2-PLD ±0.3 3-PLD ±0.3 4-PLD ±0.3 ANGLES ±0.5		PRODUCT SPEC BIA 08-78586	APPLICATION SPEC 14-5444	2013884		
MATERIAL SUS	FINISH ZP	WEIGHT 1.2g	CUSTOMER DRAWING		SCALE 10:1	SHEET 1 of 1 REV A