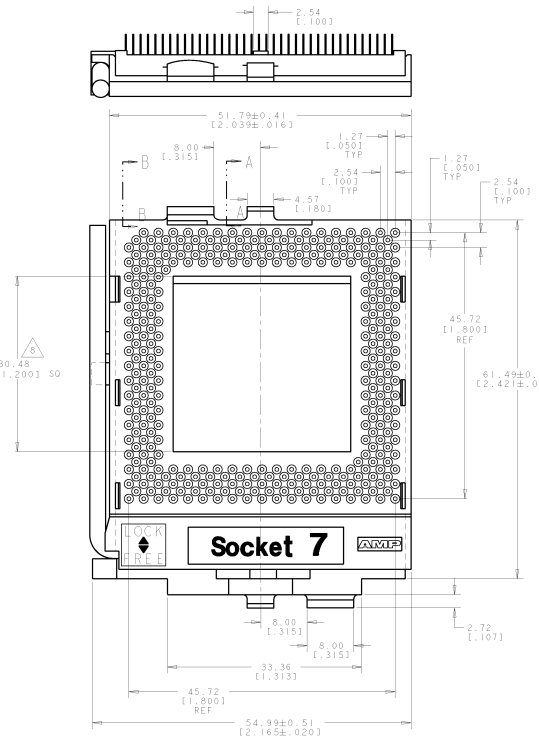
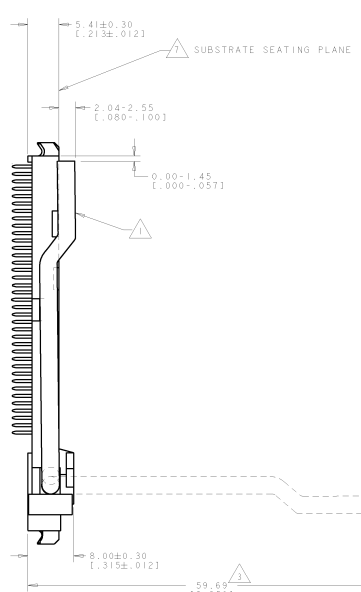
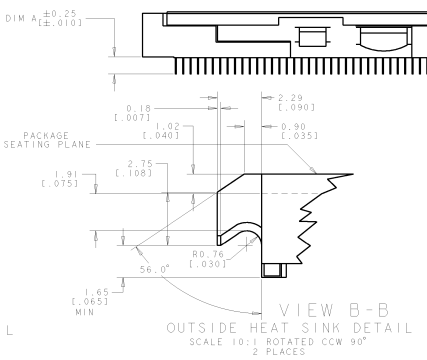
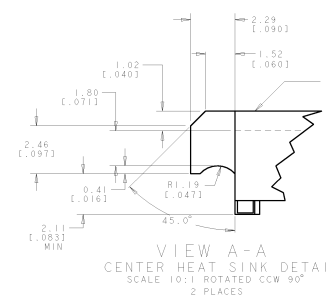
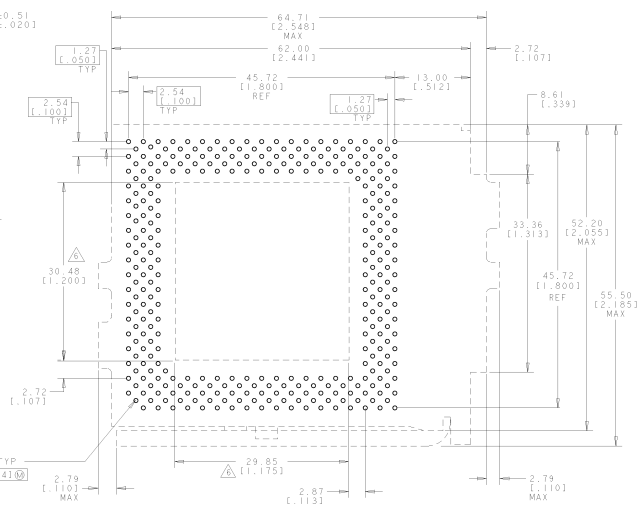


BY	DATE	REVISION	REV	APP
		REVISED PER PFC00-0027-00		



- △ HANDLE IS SHOWN IN THE 'ON' POSITION
- 2 SOCKET WILL ACCEPT ANY P.G.A. PACKAGE WITH A PIN Ø0.48 ± 0.016 ± 0.0025 AND A LENGTH OF 2.54 - 3.30 [1.00 - 1.30] LOCATED ON TRUE POSITION OF 0.20 (0.008) Ⓢ
- △ MAX DIMENSION INCLUDING HANDLE
- △ MATERIAL: HOUSING AND COVER ARE THERMOPLASTIC. COLOR-NATURAL. CONTACTS ARE COPPER ALLOY. ACTUATOR IS STAINLESS STEEL.
- △ FINISH: CONTACT AREA - 0.00076 [0.000030] MIN. THICK GOLD OVER 0.00127 [0.00050] MIN. THICK NICKEL PLATE. SOLDER TAIL - 0.00381 [0.00150] MIN. THICK TIN-LEAD OVER 0.00127 [0.00050] MIN. THICK NICKEL PLATE. CONTACT AREA SHALL BE FREE OF LUBRICANT.
- △ DIMENSIONS INDICATE MIN. OPEN CENTER THROUGH SOCKET.
- △ SEATING PLANE OF PGA PACKAGE IN SOCKET IS ON CERAMIC SURFACE OF PACKAGE.
- △ DIMENSION INDICATES MIN. HOLE IN COVER OF SOCKET.



TRAY PACKAGED NUMBER OF SOCKETS PER SHIPPING BOX	DIM A	POSITION	PART NUMBER
90	2.79 [0.110]	321	916716-4
90	2.79 [0.110]	321	916716-3
90	2.36 [0.093]	321	916716-2
90	2.03 [0.080]	321	916716-1

AMP MANUFACTURING (SINGAPORE) PTE. LTD. SOCKET ASSY, SINGLE LEVER ZIF, PGA, 19 X 19 GRID, LOW PROFILE, RIGHT HAND	AMP 00779-916716
--	---------------------