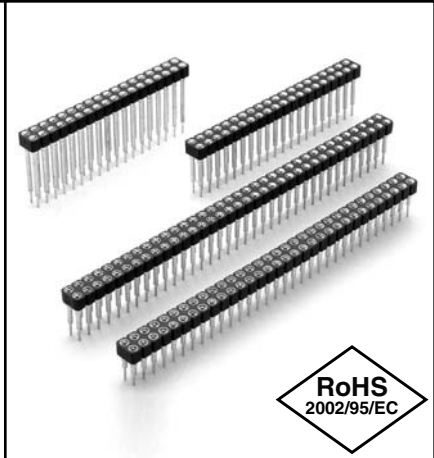
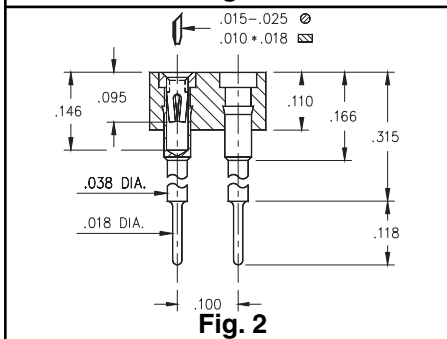


**Fig. 1**

- Elevated socket strips are available in 5 different standoff heights:
- 416...006 uses pin # 0153-1
- 416...003 uses pin # 0153-2
- 416...007 uses pin # 0153-3
- 416...008 uses pin # 0153-4
- 416...001 uses pin # 0153-5
- See page 138 for details.
- Hi-Rel, 4-finger BeCu #30 contact is rated at 3 amps. See page 218 for details.
- Insulators are high temp. thermoplastic.

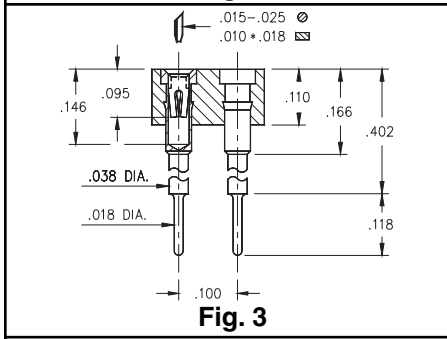


**Ordering Information**



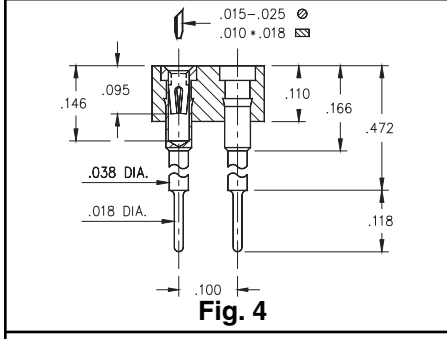
**Fig. 2**

<b>Fig. 1</b>	<b>Series 416...006 Standoff Height = .236"</b>
	416-XX-2__-41-006000 Specify # of pins → 02-64



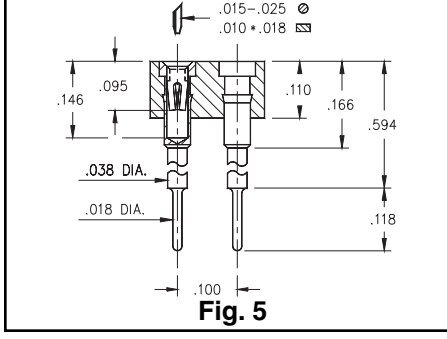
**Fig. 3**

<b>Fig. 2</b>	<b>Series 416...003 Standoff Height = .315"</b>
	416-XX-2__-41-003000 Specify # of pins → 02-64



**Fig. 4**

<b>Fig. 3</b>	<b>Series 416...007 Standoff Height = .402"</b>
	416-XX-2__-41-007000 Specify # of pins → 02-64



**Fig. 5**

<b>Fig. 4</b>	<b>Series 416...008 Standoff Height = .472"</b>
	416-XX-2__-41-008000 Specify # of pins → 02-64

<b>Fig. 5</b>	<b>Series 416...001 Standoff Height = .594"</b>
	416-XX-2__-41-001000 Specify # of pins → 02-64

For Electrical, Mechanical & Environmental Data, See pg. 4

XX=Plating Code See Below

For RoHS compliance select  $\diamond$  plating code.

SPECIFY PLATING CODE XX=		<b>93</b>			<b>43</b> $\diamond$
Sleeve (Pin)		200 $\mu$ " Sn/Pb			200 $\mu$ " Sn
Contact (Clip)		30 $\mu$ " Au			30 $\mu$ " Au

Downloaded from [Elcodis.com](http://Elcodis.com) electronic components distributor