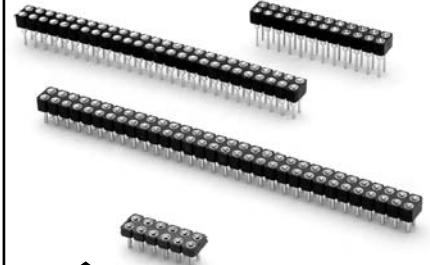


Fig. 1

- Series 41X double row strip sockets are on .100" grid.
- Various solder tails available: standard length, long for multi-layer boards, very low and ultra low profile. Using Mill-Max #1001, 0134, 0501 or 1534 pins (See pages 132, 133, 136) for details.
- Hi-Rel, 4-finger BeCu #12 & #30 contacts are rated at 3 amps. See page 218 for details.
- Insulators are high temp. thermoplastic.



Ordering Information

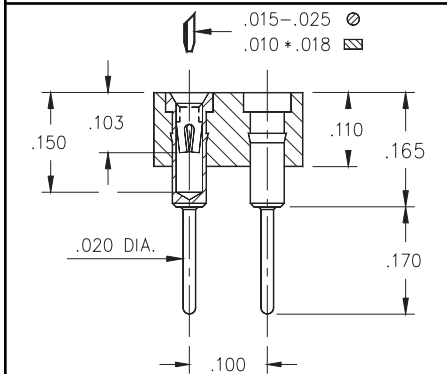


Fig. 2

Fig. 1

Series 410...001 Standard Solder Tail

410-XX-2__-41-001000
 Specify # of pins → 02-64

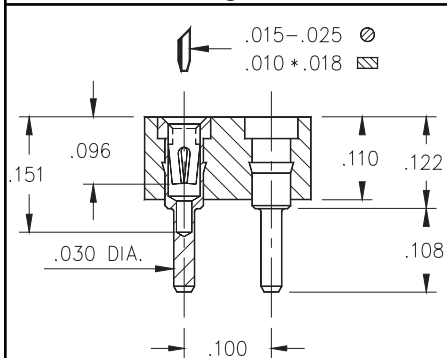


Fig. 3

Fig. 2

Series 411...001 Long Solder Tail

411-13-2__-41-001000
 Specify # of pins → 02-64

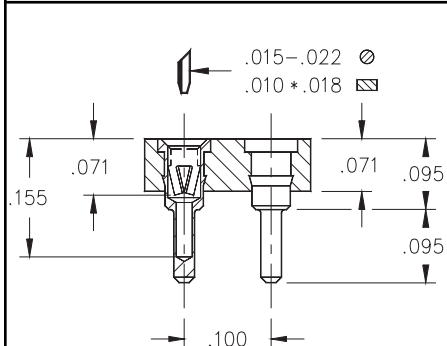


Fig. 4

Fig. 3

Series 415...001 Very Low Profile

415-XX-2__-41-001000
 Specify # of pins → 02-64

Series 415...003 Ultra Low Profile

415-XX-2__-41-003000
 Specify # of pins → 02-72

For Electrical, Mechanical & Environmental Data, See pg. 4

XX=Plating Code See Below

For RoHS compliance select ◇ plating code.

SPECIFY PLATING CODE XX=	13◇	93	43◇
Sleeve (Pin)	10μ" Au	200μ" Sn/Pb	200μ" Sn
Contact (Clip)	30μ" Au	30μ" Au	30μ" Au