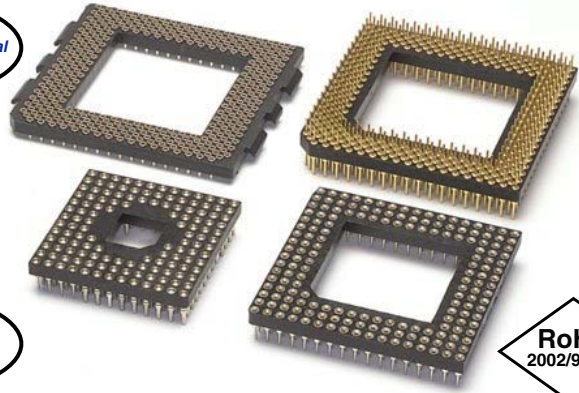


- Series 510, 511, 514, 515, 522 & 523 PGA sockets are available on 2,54 centers.
- Series 513 and 518 PGA sockets are available for Interstitial patterns.
- Choice of three low force clips to cover all applications.
- Hi-Temp PCT polyester insulator material suitable for all forms of soldering.

For RoHS compliance
select ◇ plating code.

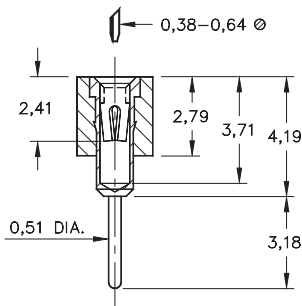
For Electrical,
Mechanical & Environmental
Data, See pg. 112

XX=Plating Code
See Below

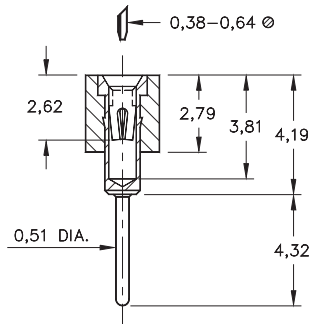


RoHS
2002/95/EC

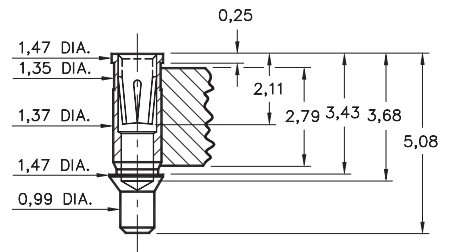
STANDARD SOLDER TAIL SERIES 510



LONG SOLDER TAIL SERIES 511

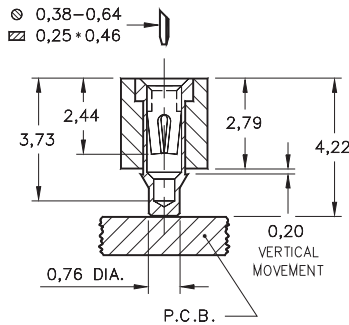


SMT RECEPTACLE SERIES 513

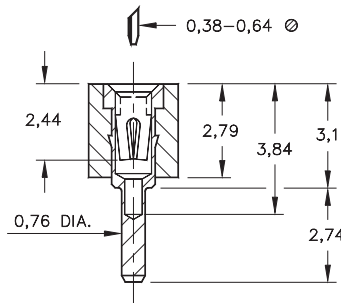


Interstitial Patterns Only

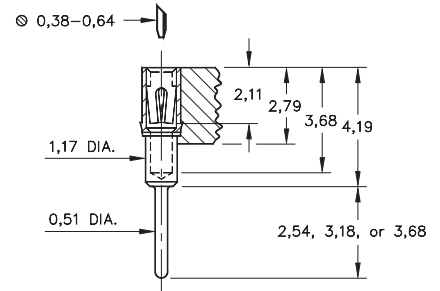
SMT RECEPTACLE SERIES 514



LOW PROFILE SOLDER TAIL SERIES 515

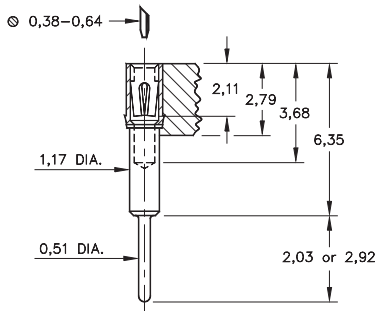


SOLDER TAIL (Without Heatsink Tabs) SERIES 518



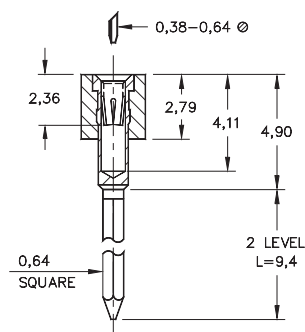
Interstitial Patterns Only

SOLDER TAIL (With Heatsink Tabs) SERIES 518

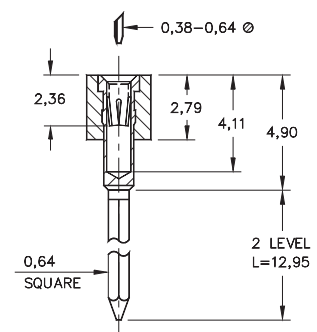


Interstitial Patterns Only

2 LEVEL WRAPOST SERIES 522



3 LEVEL WRAPOST SERIES 523



Visit www.mill-max.com/pgs
To configure a formal Part Number

SPECIFY PLATING CODE XX=	13◇	93	43◇
Sleeve (Pin)	0,25µm Au	5,08µm Sn/Pb	5,08µm Sn
Contact (Clip)	0,76µm Au	0,76µm Au	0,76µm Au