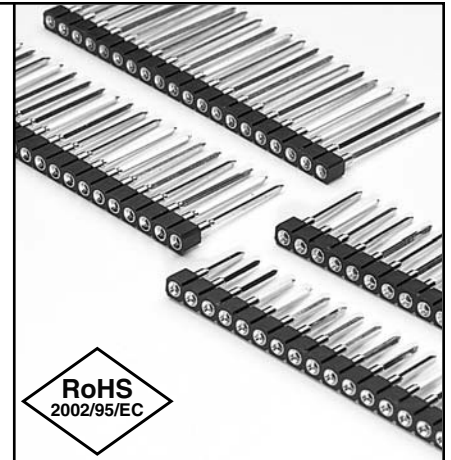


Fig. 1

- Wraposts available in 1 - 4 levels using MM pin numbers:
- 1-Level uses pin # 0040-1
- 2-Level uses pin # 0089-2
- 3-Level uses pin # 0088-3
- 4-Level uses pin # 0086-4
- See page 166 for details.
- Hi-Rel, 4-finger BeCu #30 contact is rated at 3 amps. See page 218 for details.
- Insulators are high temp. thermoplastic.



Ordering Information

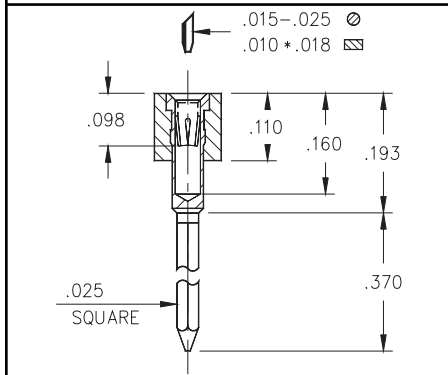


Fig. 2

Fig. 1	Series 321...001	1 Level Wrapost
	321-13-1__-41-001000	Specify # of pins → 01-64

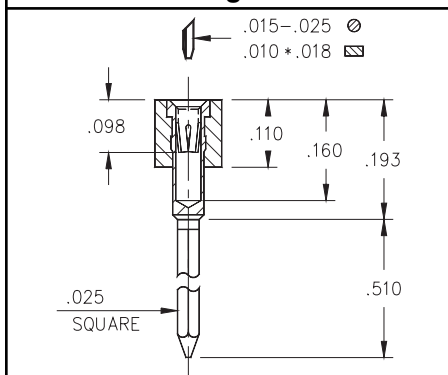


Fig. 3

Fig. 2	Series 322...001	2 Level Wrapost
	322-XX-1__-41-001000	Specify # of pins → 01-64

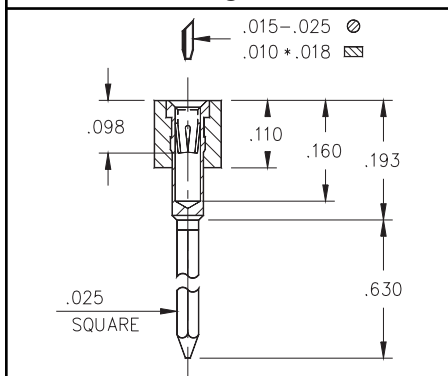


Fig. 4

Fig. 3	Series 323...001	3 Level Wrapost
	323-XX-1__-41-001000	Specify # of pins → 01-64

Fig. 4	Series 324...002	4 Level Wrapost
	324-XX-1__-41-002000	Specify # of pins → 01-64

For Electrical, Mechanical & Environmental Data, See pg. 4

XX=Plating Code See Below

For RoHS compliance select ◇ plating code.

SPECIFY PLATING CODE XX=	13◇	93	43◇
Sleeve (Pin)	10μ" Au	200μ" Sn/Pb	200μ" Sn
Contact (Clip)	30μ" Au	30μ" Au	30μ" Au