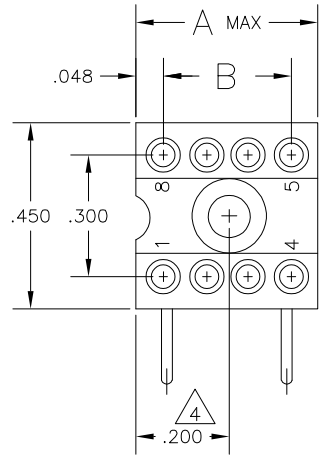
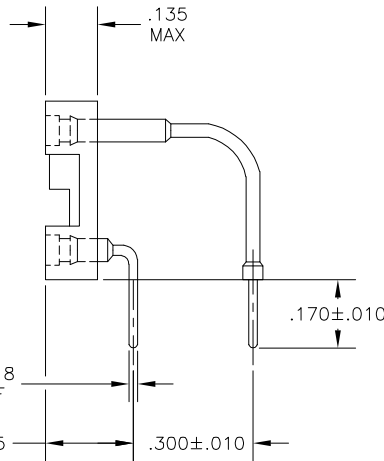
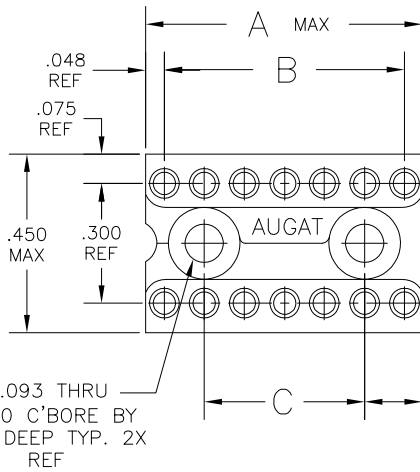


THIS DRAWING IS UNPUBLISHED. RELEASED FOR PUBLICATION  
 © COPYRIGHT - BY TYCO ELECTRONICS CORPORATION. ALL RIGHTS RESERVED.

LOC	DIST	REVISIONS					
AD	00	P	LTR	DESCRIPTION	DATE	DWN	APVD
		0		ECO 05 012212	19MAY06	BSV	RD



NOTES:

- 1 INSULATOR: THERMOPLASTIC POLYSTER, UL RATED 94V-0; COLOR-BLACK
- 2 CONTACT: TAPERED ENTRY BeCu, GOLD PLATE OF 20μ" MIN. OVER NICKEL PLATE OF 30μ" MIN.
- 3 SLEEVE: BRASS PLATE OF 180μ" MIN. OVER NICKEL PLATE OF 50μ" MIN.
- 4 DISTANCE FROM POLARIZATION END OF SOCKET TO CENTER OF FIRST HOLE IS TYPICALLY .150, EXCEPT FOR 20 POSITION SOCKET IS .250 AND 8 IS SHOWN ON PRINT.

0.500	0.900	1.000	20	1825088-6
0.600	0.800	0.900	18	1825088-5
0.500	0.700	0.800	16	1825088-4
0.400	0.600	0.700	14	1825088-3
0.400	0.500	0.600	12	1825088-2
-	0.300	0.400	8	1825088-1
C REF	B	A MAX	POS.	PART NO.

THIS DRAWING IS A CONTROLLED DOCUMENT.		DWN	19MAY06	Tyco Electronics Corporation	
		CHK	B.S.VISWESWARA	Harrisburg, Pa 17105-3608	
DIMENSIONS: INCHES		APVD	-	NAME	
TOLERANCES UNLESS OTHERWISE SPECIFIED:		PRODUCT SPEC	-	RIGHT ANGLE DIP	
0 PLC ± -		APPLICATION SPEC	-	RESTRICTED TO	
1 PLC ± -		WEIGHT	-	SIZE	CAGE CODE
2 PLC ± -				A3	00779
3 PLC ± -				DRAWING NO	1825088
4 PLC ± -				CUSTOMER DRAWING	
ANGLES ± -				SCALE	4:1
MATERIAL SEE NOTES				SHEET	1 OF 1
FINISH SEE NOTES				REV	0