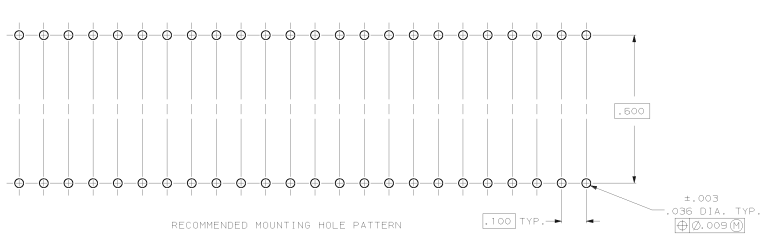
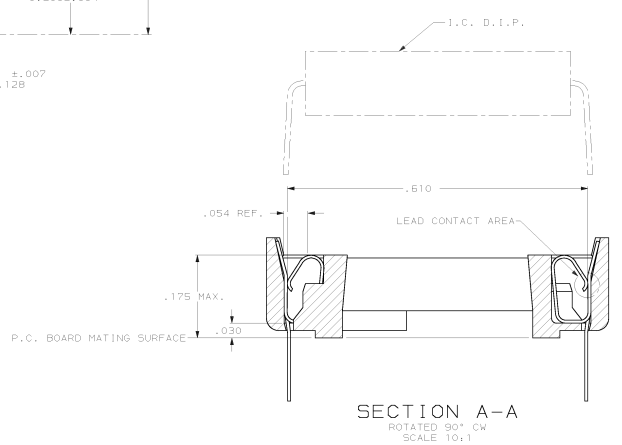
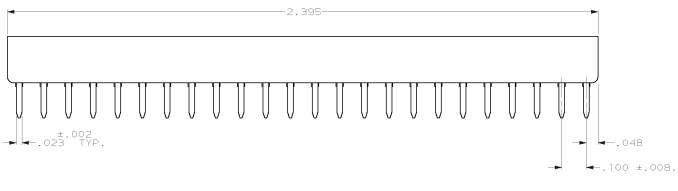


- RECEPTACLE ACCEPTS AN .008-.014 THK. 1.C. LEAD.
- TWO .000030 MIN. THK. GOLD STRIPES IN CONTACT AREA, TIN-LEAD (93-7) ON CONTACT LEGS, BALANCE OF CONTACT NICKEL PLATED.
- TWO .000015 MIN. THK. GOLD STRIPES IN CONTACT AREA, TIN-LEAD (93-7) ON CONTACT LEGS, BALANCE OF CONTACT NICKEL PLATED.
- TUBE LOADED FOR AUTOMATIC INSERTION.
- SPECIAL PACKAGING.



SUPSD BY 390252-7	TINNED	PHOS.BRZ. .006 THK	GLASS-FILLED THERMOPLASTIC, 94V-0, BLACK	5-643574-3
OBSOLETE	TINNED	PHOS.BRZ. .006 THK	GLASS-FILLED THERMOPLASTIC, 94V-0, BLACK	2-643574-5
SUPSD BY 390262-7	TINNED	PHOS.BRZ. .006 THK	GLASS-FILLED THERMOPLASTIC, 94V-0, BLACK	2-643574-4
OBSOLETE	TINNED	PHOS.BRZ. .006 THK	GLASS-FILLED THERMOPLASTIC, 94V-0, BLACK	2-643574-3
SUPSD BY 390252-7	TINNED	PHOS.BRZ. .006 THK	GLASS-FILLED THERMOPLASTIC, 94V-0, BLACK	2-643574-1

CONTACT FINISH		CONTACT HAT'L	HOUSING MATERIAL	PART NO.
TINNED			GLASS-FILLED THERMOPLASTIC, 94V-0, BLACK	5-643574-3
TINNED			GLASS-FILLED THERMOPLASTIC, 94V-0, BLACK	2-643574-5
TINNED			GLASS-FILLED THERMOPLASTIC, 94V-0, BLACK	2-643574-4
TINNED			GLASS-FILLED THERMOPLASTIC, 94V-0, BLACK	2-643574-3
TINNED			GLASS-FILLED THERMOPLASTIC, 94V-0, BLACK	2-643574-1

THIS DRAWING IS A CONTROLLED DOCUMENT.		REV. 1	DATE	BY
DRAWING NO.		108-1066	114-1049	
MATERIAL		SEE TABLE	SEE TABLE	SEE TABLE
PART NO.		SEE TABLE	SEE TABLE	SEE TABLE

**AMP** Incorporated  
 Harrisburg, PA 17105-3608

**SOCKET ASSY, DIP, LADDER,  
 48 POS, DIPLOMATE DL**

THE ONE ONE DRAWING NO.  
 A1 00728 643574