

4

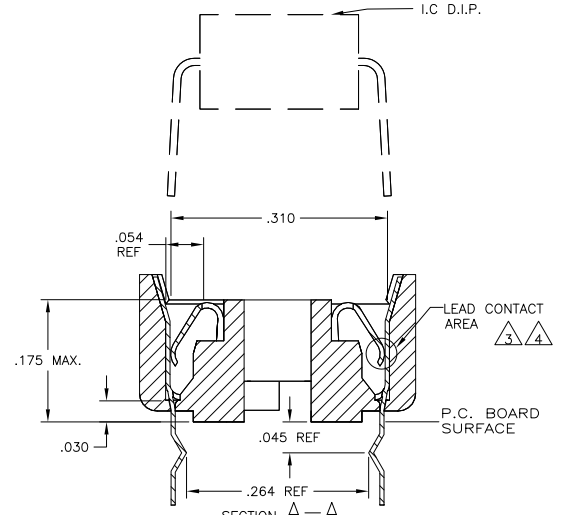
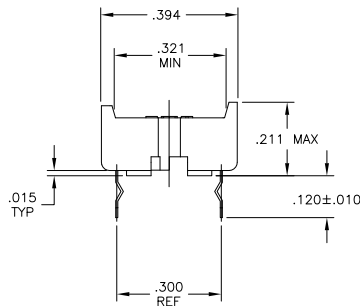
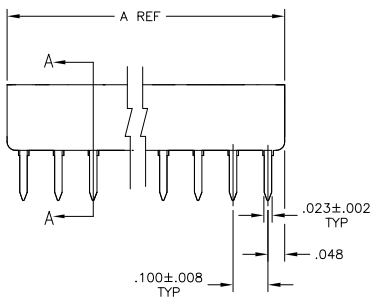
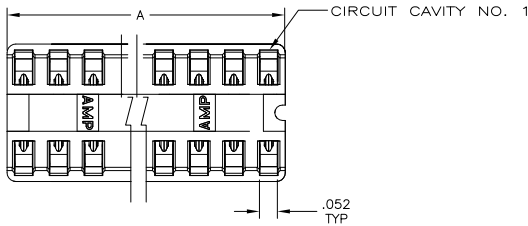
3

2

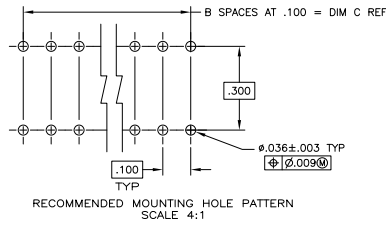
1

THIS DRAWING IS UNPUBLISHED. RELEASED FOR PUBLICATION  
 BY TYCO ELECTRONICS CORPORATION. ALL RIGHTS RESERVED.

LOC	DIST	REV	DESCRIPTION	DATE	BY	APPD
AD	00	A	ECO-05-013690	02JAN05	BSV	KD
		A1	REVISED PER ECO-09-024927	07NOV09	KK	AEG



SECTION A-A  
SCALE 10:1



RECOMMENDED MOUNTING HOLE PATTERN  
SCALE 4:1

- 1 RECEPTACLE ACCEPTS A .008-.014 THICK I.C. LEAD.
- 2 TUBE LOADED FOR AUTOMATIC INSERTION.
- 3 BECU CONTACT - PLATED WITH TWO .000030 MIN THK. GOLD STRIPES IN CONTACT AREA WITH TIN ON CONTACT LEGS, BALANCE OF CONTACT NICKEL PLATED.
- 4 PHOS. BRZ CONTACT - PLATED WITH TWO .000015 MIN THK. GOLD STRIPES IN CONTACT AREA WITH TIN ON CONTACT LEGS, BALANCE OF CONTACT NICKEL PLATED.
- 5 GLASS FILLED THERMOPLASTIC, 94V-0, BLACK
- 6 OBSOLETE PARTS: OBSOLETE CIS STREAMLINING PER D.RENAUD/D.SINISI

CONTACT & FINISH	DIM. C B	SPCS	DIM. A	POSITION	PART NO.
3	1.100	11	1.195	24	1-1825374-7
3	.900	9	.995	20	1-1825374-6
3	.800	8	.895	18	1-1825374-5
3	.700	7	.795	16	1-1825374-4
3	.600	6	.695	14	1-1825374-3
3	.300	3	.395	8	1-1825374-2
3	.200	2	.295	6	1-1825374-1
4	1.100	11	1.195	24	1825374-7
4	.900	9	.995	20	1825374-6
4	.800	8	.895	18	1825374-5
4	.700	7	.795	16	1825374-4
4	.600	6	.695	14	1825374-3
4	.300	3	.395	8	1825374-2
4	.200	2	.295	6	1825374-1

THIS DRAWING IS A CONTROLLED DOCUMENT. DR: S.S. VISWESWARA STAMPED: -  
 CK: K. WRIGHT  
 DATE: -  
 BY: -  
 APPROVED: -

DIMENSIONS: INCHES  
 DIMENSIONS: MILLIMETERS  
 FINISH: SEE TABLE

MATERIAL: SEE TABLE

PRODUCT SPEC: 108-1066  
 APPLICATION SPEC: 114-1049  
 WEIGHT: -

SIZE: A2  
 CASE CODE: 00779  
 DRAWING NO: 1825374  
 RESTRICTED TO: -

Tyco Electronics Corporation  
 Harrisburg, Pa 17105-3608

DIP SOCKET ASSY, LADDER,  
 DIPLOMATE, RET. LEAD .300 CL, LEAD FREE

CUSTOMER DRAWING  
 SCALE: 5:1 SHEET 1 OF 1 REV: A1

1825374

B

A