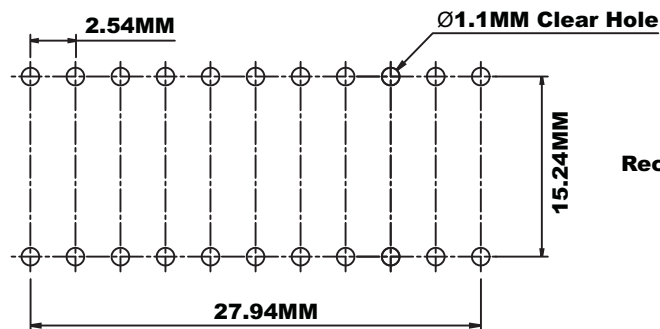
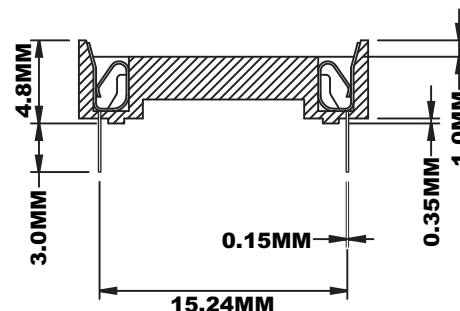
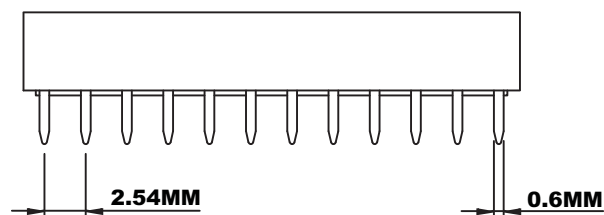


**Material:**

- Contact Resistance: 30 MΩ Max. @ 100mA DC
- Insulator Resistance: 1,000 MΩ Min. @ 500V DC
- Current Rating: 1 Amp
- Dielectric Withstanding Voltage: 500V AC for 1 minute
- Operating Temperature: -55°C ~ +105°C
- Contact: Phosphor Bronze, Tin Plated
- Housing: PBT & 30% Glass Fiber (UL 94V-0)



Recommended P.C.B. Layout

⊕ = Assmann logo



ITEM NO.	<b>A24-LC-TT-R</b>
TITLE	Low Cost Version IC Socket 24 Pin Straight Leg, 15.24MM Pitch

**ASSMANN**  
Electronics, Inc.  
1840 W. Drake Drive, Suite 101 • Tempe, AZ 85283  
Toll Free: 1-877-277-6266 • Email: info@usa-assmann.com

THIS DRAWING IS UNPUBLISHED  
©Copyright 2009 by Assmann Electronic Components  
All International Rights Reserved