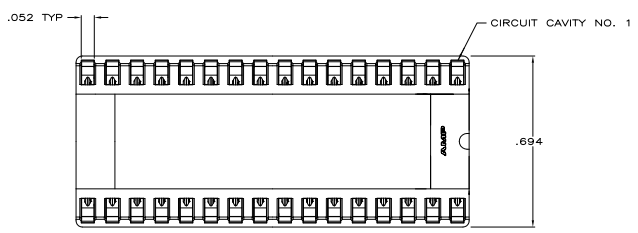
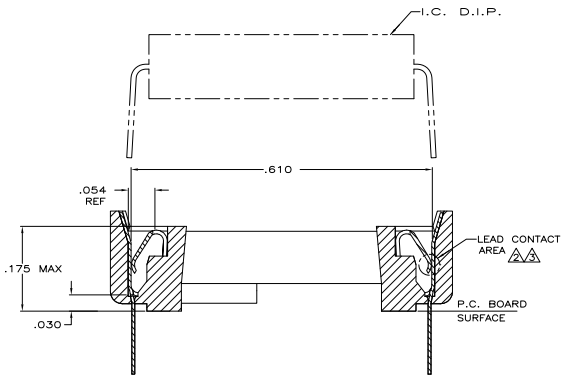
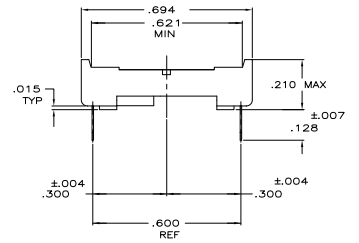
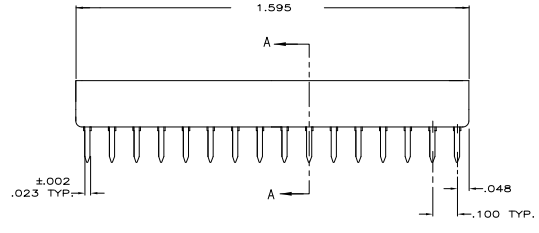


THIS DRAWING IS UNPUBLISHED  
 ALL RIGHTS RESERVED

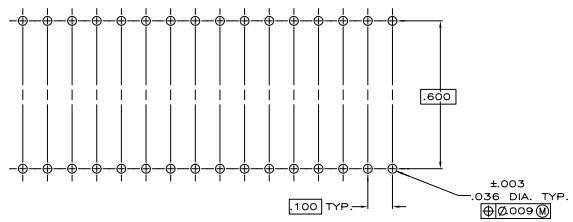
REV	DATE	DESCRIPTION	BY	CHK
AD 0				
V1		REVISED PER EDD-11-009227	23MAR11	RK HMR



- RECEPTACLE ACCEPTS AN .008-.014 THK. I.C. LEAD.
- TWO .000030 MIN. THK. GOLD STRIPES IN CONTACT AREA, TIN-LEAD(93-7) ON CONTACT LEGS, BALANCE OF CONTACT NICKEL PLATED.
- TWO .000015 MIN. THK. GOLD STRIPES IN CONTACT AREA, TIN-LEAD(93-7) ON CONTACT LEGS, BALANCE OF CONTACT NICKEL PLATED.
- TUBE LOADED FOR AUTOMATIC INSERTION
- SPECIAL PACKAGING.
- SEE RESTRICTED CUSTOMER DRAWING 4-644018-3.



SECTION A-A  
 SCALE 10:1



RECOMMENDED MOUNTING HOLE PATTERN

SUPSD BY 390262-3	TINNED	PHOS.BRZ.	GLASS-FILLED THERMOPLASTIC, 94V-0, BLACK	5-644018-3
Δ OBSOLETE	TINNED	PHOS.BRZ. .008 THK	GLASS-FILLED THERMOPLASTIC, 94V-0, BLACK	2-644018-5
Δ OBSOLETE	TINNED	PHOS.BRZ.	GLASS-FILLED THERMOPLASTIC, 94V-0, BLACK	2-644018-4
SUPSD BY 390263-2	TINNED	PHOS.BRZ.	GLASS-FILLED THERMOPLASTIC, 94V-0, BLACK	2-644018-3
Δ		BE.CU.	GLASS-FILLED THERMOPLASTIC, 94V-0, BLACK	2-644018-2
SUPSD BY 390263-2	TINNED	BE.CU.	GLASS-FILLED THERMOPLASTIC, 94V-0, BLACK	2-644018-1

CONTACT FINISH	CONTACT MAT'L	HOUSING MATERIAL	PART NO.
TINNED	PHOS.BRZ.	GLASS-FILLED THERMOPLASTIC, 94V-0, BLACK	5-644018-3
TINNED	PHOS.BRZ. .008 THK	GLASS-FILLED THERMOPLASTIC, 94V-0, BLACK	2-644018-5
TINNED	PHOS.BRZ.	GLASS-FILLED THERMOPLASTIC, 94V-0, BLACK	2-644018-4
TINNED	PHOS.BRZ.	GLASS-FILLED THERMOPLASTIC, 94V-0, BLACK	2-644018-3
TINNED	BE.CU.	GLASS-FILLED THERMOPLASTIC, 94V-0, BLACK	2-644018-2
TINNED	BE.CU.	GLASS-FILLED THERMOPLASTIC, 94V-0, BLACK	2-644018-1

THIS DRAWING IS A CONTROLLED DOCUMENT. DATE: 12 SEP 97

DESIGNED BY: J. MILLER  
 DRAWN BY: J. MILLER  
 CHECKED BY: J. MILLER  
 DATE: 108-1066  
 REVISED BY: 114-1049  
 DATE: 100779  
 DRAWING NO: G=644018  
 CUSTOMER DRAWING

TE Connectivity  
 SOCKET ASSY, DIP, OTC,  
 32 POS, DIPLOMATE DL

REV: 5:1 SHEET: 1 OF 1