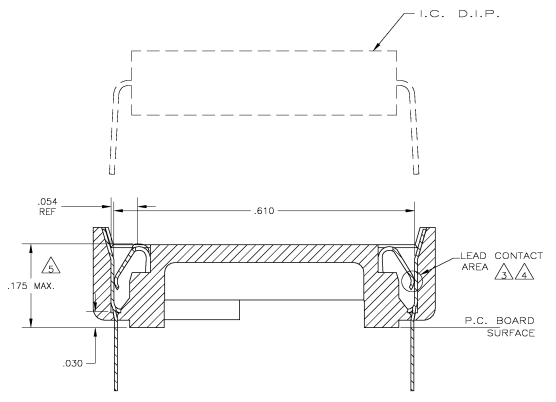
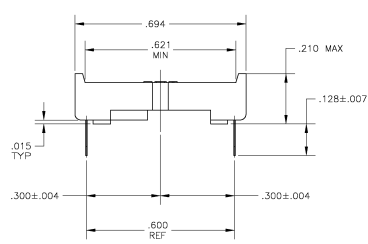
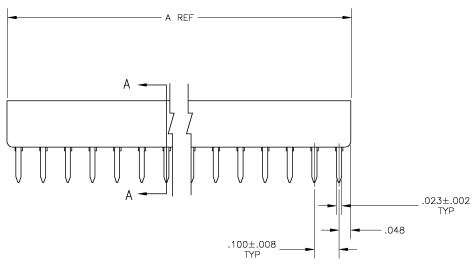
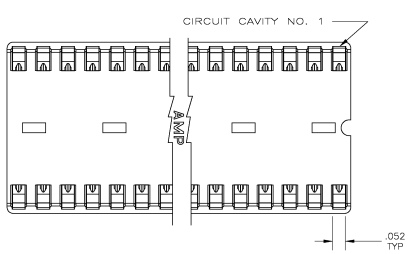
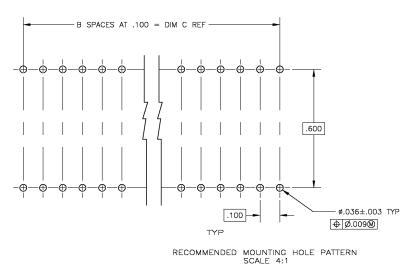


REV	DATE	DESCRIPTION	BY	CHK	APP
AD	00				
A		REV PER DEC30-0113-05	PRANDS	RB	KD



SECTION A-A
 SCALE 10:1



- RECEPTACLE ACCEPTS A .008-.014 THICK I.C. LEAD.
 - TUBE LOADED FOR AUTOMATIC INSERTION.
- △ BECU CONTACT—PLATED WITH TWO .000030 MIN THK. GOLD STRIPES IN CONTACT AREA WITH TIN ON CONTACT LEGS, BALANCE OF CONTACT NICKEL PLATED.
 - △ PHOS BRONZE CONTACT—PLATED TWO .00015 MIN THK. GOLD STRIPES IN CONTACT AREA WITH TIN ON CONTACT LEGS, BALANCE OF CONTACT NICKEL PLATED.
 - △ MAXIMUM DIMENSION FOR I.C. SEATING PLANE.
 - △ HOUSING MATERIAL— GLASS FILLED THERMOPLASTIC, BLACK, 94V-0

CONTACT & FINISH	DIM C	B SPCS	DIM A	POSITION	PART NO.
△	1.900	19	1.995	40	1-182510B-3
△	1.300	13	1.395	28	1-182510B-2
△	1.100	11	1.195	24	1-182510B-1
△	1.900	19	1.995	40	182510B-3
△	1.300	13	1.395	28	182510B-2
△	1.100	11	1.195	24	182510B-1

THIS DRAWING IS A CONTROLLED DOCUMENT.		REV	DATE	DESCRIPTION	BY	CHK	APP
REV	DATE	DESCRIPTION	BY	CHK	APP		
1	00779	182510B					
CUSTOMER DRAWING		SCALE	5:1	REV	1	1	AW A