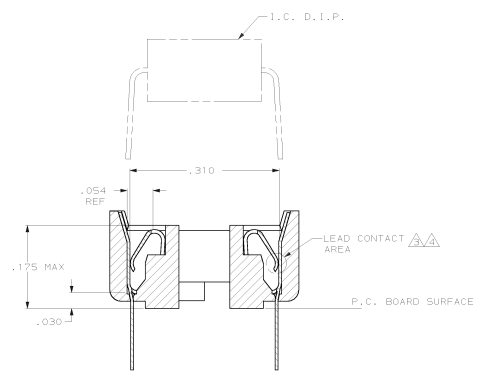
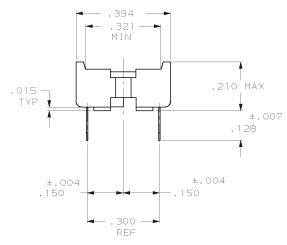
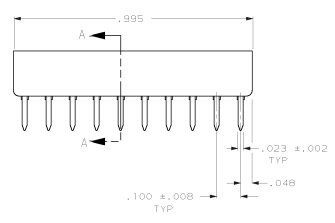
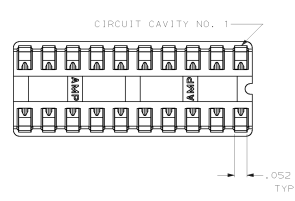
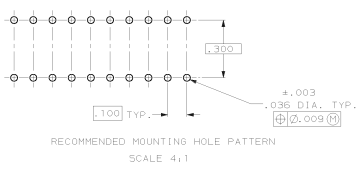


DRAWING MADE IN THIRD ANGLE PROJECTION
 THIS DRAWING IS UNCLASSIFIED - RELEASED FOR PUBLICATION
 © COPYRIGHT 19 BY AMP INCORPORATED, HARRISBURG, PA. ALL INTERNATIONAL RIGHTS RESERVED. AMP PRODUCTS MAY BE COVERED BY U.S. AND FOREIGN PATENTS AND/OR PATENTS PENDING.

LOC		DISTR		REV		REVISIONS		DATE	APPR
AD	0	P	F	Z	REV	PER	DESCRIPTION		JO
							OG3C-0104-01	26SEP1	



- RECEPTACLE ACCEPTS A .008-.014 THICK I.C. LEAD.
 - TUBE LOADED FOR AUTOMATIC INSERTION.
- TWO .000030 MIN THK. GOLD STRIPES IN CONTACT AREA WITH TIN-LEAD (93/7) ON CONTACT LEGS, BALANCE OF CONTACT NICKEL PLATED.
 - TWO .000015 MIN THK. GOLD STRIPES IN CONTACT AREA WITH TIN-LEAD (93/7) ON CONTACT LEGS, BALANCE OF CONTACT NICKEL PLATED.
 - SPECIAL PACKAGING.



SUPSD BY 390261-6	TINNED	PHOS. BRZ.	.006 THK	GLASS-FILLED THERMOPLASTIC, 94V-0, BLACK	5-641602-3
OBSELETE	TINNED	PHOS. BRZ.	.006 THK	GLASS-FILLED THERMOPLASTIC, 94V-0, BLACK	2-641602-5
				GLASS-FILLED THERMOPLASTIC, 94V-0, BLACK	2-641602-4
SUPSD BY 390261-6	TINNED	PHOS. BRZ.	.006 THK	GLASS-FILLED THERMOPLASTIC, 94V-0, BLACK	2-641602-3
		RE. CV.	.006 THK	GLASS-FILLED THERMOPLASTIC, 94V-0, BLACK	2-641602-2
SUPSD BY 390261-6	TINNED	PHOS. BRZ.	.006 THK	GLASS-FILLED THERMOPLASTIC, 94V-0, BLACK	2-641602-1

CONTACT FINISH	CONTACT MAT'L	HOUSING MATERIAL	PART NO.

UNLESS OTHERWISE SPECIFIED DIMENSIONS ARE IN INCHES TOLERANCES: .01	DR	8-11-87	
	CHK	8-31-87	
2 PL DEC ± .005		R-FILLER	
3 PL DEC ± .005			
ANGLES ±0°30'			
	APPR	9-4-87	
		J. LAMBERT	
	APPR	9-4-87	
		J. DEAT	
		PRODUCT SPEC	
		10B-11066	
	APPLICATION SPEC	114-11049	
	WEIGHT	-	

AMP INCORPORATED HARRISBURG, PA. 17105		NAME	
SOCKET ASSY, DIP, LADDER, 20 POS, DIPLOMATE DL		DRAWING NO.	
SIZE	PSCH NO	00779	641602
SCALE 5:1	SHEET	1	OF 1