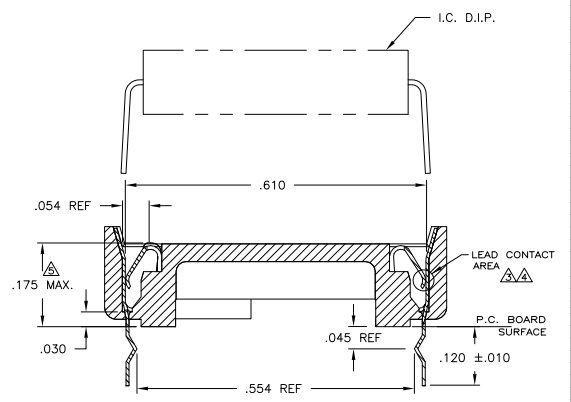
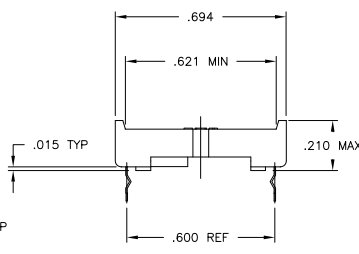
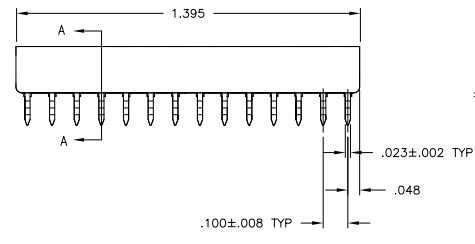
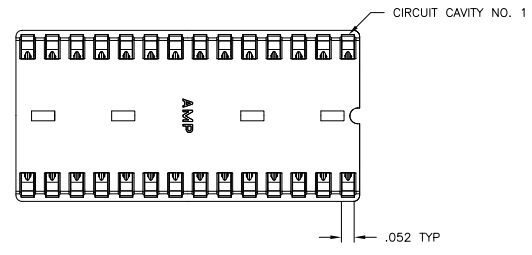
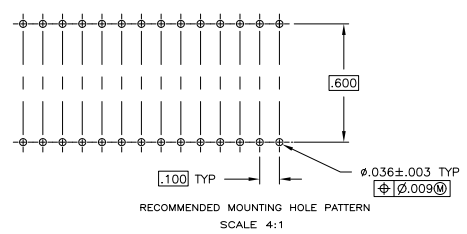


- RECEPTACLE ACCEPTS A .008-.014 THICK I.C. LEAD.
 - TUBE LOADED.
- △ TWO .000030 MIN THK. GOLD STRIPES IN CONTACT AREA WITH TIN-LEAD (93/7) ON CONTACT LEGS, BALANCE OF CONTACT NICKEL PLATED.
 - △ TWO .000015 MIN THK. GOLD STRIPES IN CONTACT AREA WITH TIN-LEAD (93/7) ON CONTACT LEGS, BALANCE OF CONTACT NICKEL PLATED.
 - △ MAXIMUM DIMENSION FOR I.C. SEATING PLANE.



SECTION A-A
 SCALE 10:1



OBSELETE	PROS.BRZ. .008 THK	GLASS-FILLED THERMOPLASTIC, 94V-O, BLACK	2-641267-4	
	TINNED	PROS.BRZ. .008 THK	GLASS-FILLED THERMOPLASTIC, 94V-O, BLACK	2-641267-3
	△	BE.CU. .008 THK	GLASS-FILLED THERMOPLASTIC, 94V-O, BLACK	2-641267-2
	TINNED	BE.CU. .008 THK	GLASS-FILLED THERMOPLASTIC, 94V-O, BLACK	2-641267-1
	CONTACT FINISH	CONTACT MAT'L	HOUSING MATERIAL	PART NO.

THIS DRAWING IS A CONTROLLED DOCUMENT.		REV. 1	DATE 11/11/00	BY WARD	CHK WARD	APP WARD
DESIGNER	ENGINEER	DRWG. NO.	REV. NO.	DATE	BY	CHK
W008	W008	108-1066	1	11-10-00	W008	W008
PROJ. NO.	REV. NO.	DATE	BY	CHK	APP	
114-1049						
ISSUED TO	DATE	BY	CHK	APP	REV. NO.	REV. DATE
SEE TABLE	11/11/00	W008	W008	W008	1	11/11/00
SEE TABLE	11/11/00	W008	W008	W008	1	11/11/00