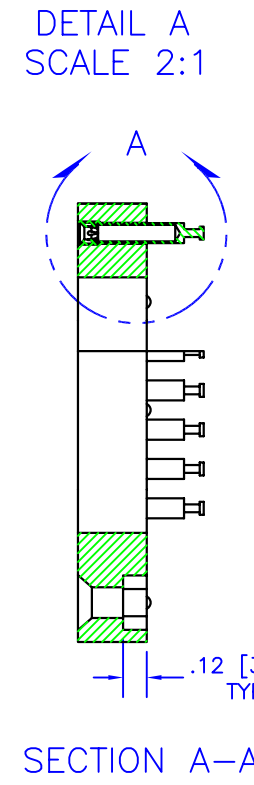
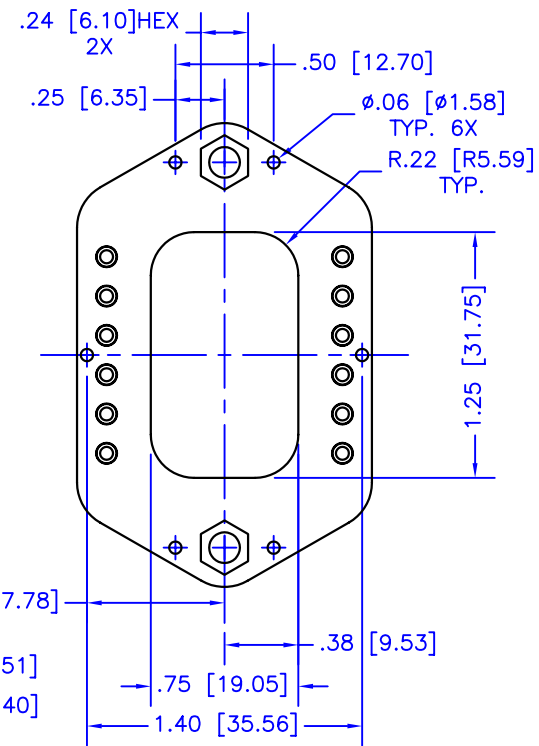
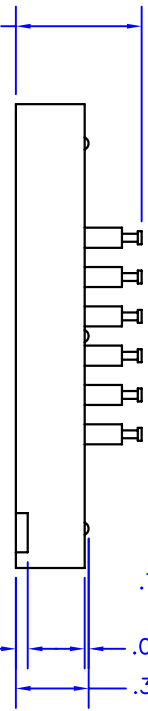
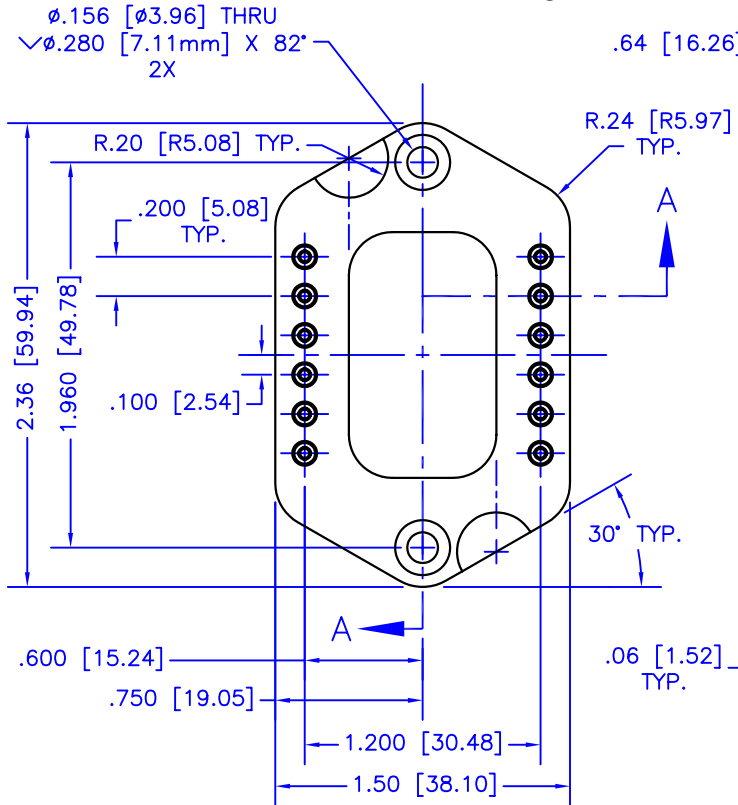
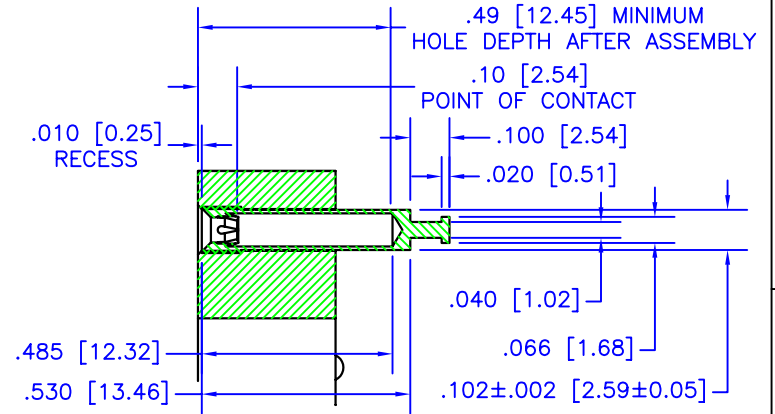
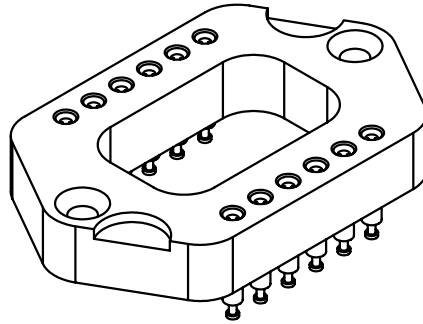


**NOTES:**

1. Dimensions are in inches & [mm].
2. Socket body: Glass-filled polyester, 94 VO rating, green in color
3. Receptacle shell: 360 brass, with 200 μin tin over 100 μin nickel
4. Receptacle contacts: Beryllium copper with 30 μin gold over 50 μin nickel
5. The continuous temperature rating of the socket shall be 150° C.
6. Contact resistance: 20 milliohms or less.



TOLERANCES - UNLESS OTHERWISE SPECIFIED

.XX	= ±.01 [ .254]
.XXX	= ±.005 [ .127]
ANG.	= ±1°



TITLE <b>POWER DIP PACKAGE SOCKET</b>				PACKAGE <b>MS05</b>	
SUBJECT MECHANICAL DRAWING					
ENG. D-M	TECH/DWN. D-M	DCA 46853	SH. 1	OF 1	FILENAME MS05-D
REV D		DATE 12/03/04			