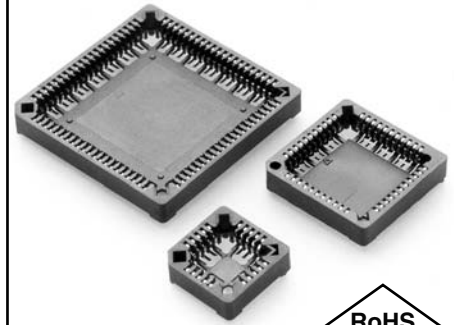
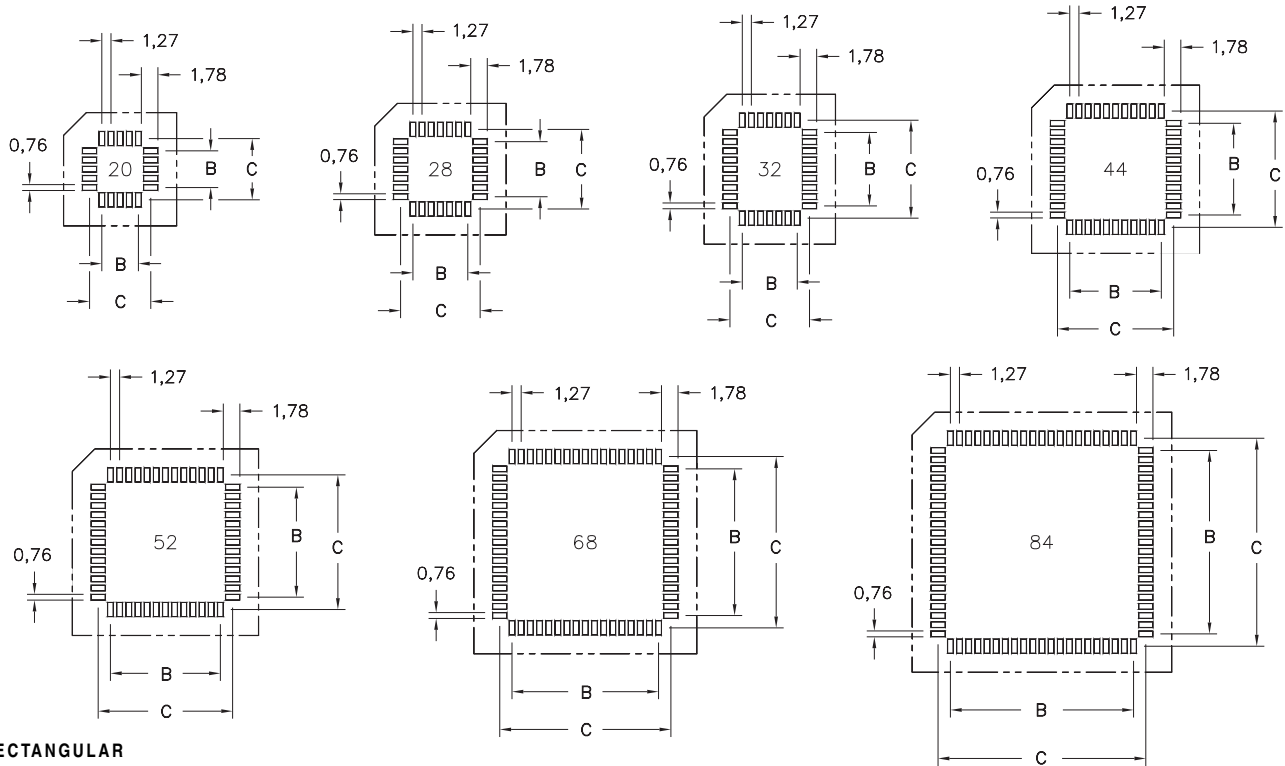


- Note: Not end stackable.
- Accepts JEDEC PLCCs MO-047 and MO-052.
- Low profile for high density PC board stacking.
- Standoffs provide clearance for heat dissipation and cleaning.
- Contacts are plated with 3,81µm tin.
- Insulator material is glass reinforced PPS.



For Electrical,
Mechanical & Environmental
Data, See pg. 113

PCB LAYOUT FOR SURFACE MOUNT



* RECTANGULAR

| No. of Contacts | Ordering Information | - A - | - B - | - C - | Qty. per Tube | Qty. per Reel |
|-----------------|-----------------------|-------------|-------------|-------------|---------------|---------------|
| 20 | 940-44-020-17-40000X | 15,57 | 5,08 | 8,48 | 32 | 470 |
| 28 | 940-44-028-17-40000X | 18,11 | 7,62 | 11,02 | 27 | 390 |
| 32* | 940-44-032-17-40000X* | 20,6 / 18,1 | 10,2 / 7,62 | 13,6 / 11,0 | 24 | 390 |
| 44 | 940-44-044-17-40000X | 22,86 | 12,7 | 16,10 | 21 | 250 |
| 52 | 940-44-052-17-40000X | 25,73 | 15,24 | 18,64 | 19 | 250 |
| 68 | 940-44-068-17-40000X | 30,81 | 20,32 | 23,72 | 16 | 220 |
| 84 | 940-44-084-17-40000X | 35,89 | 25,4 | 28,80 | 14 | 200 |

Packaging Codes: X = 0 (Tubes) X = 4 (Tape & Reel)