

4

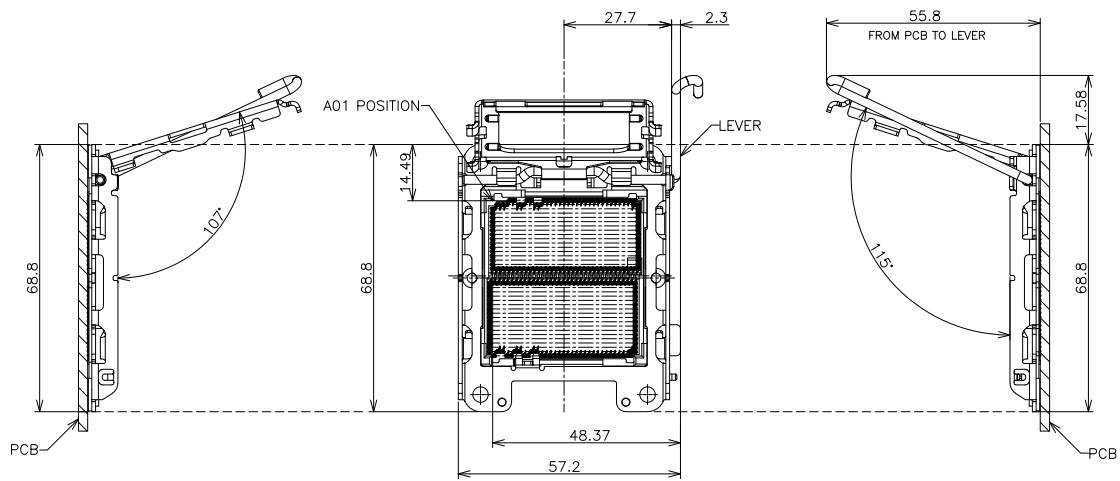
3

2

1

THIS DRAWING IS UNPUBLISHED. RELEASED FOR PUBLICATION
 © COPYRIGHT BY TYCOO ELECTRONICS CORPORATION. ALL RIGHTS RESERVED.

LOC	DIST	REVISIONS					
J		P	LTR	DESCRIPTION	DATE	DWN	APVD
		-		SEE SHEET 1	-	-	-



ALL DIMENSIONS OF THIS SHEET
 ARE REFERENCE DIMENSIONS.

THIS DRAWING IS A CONTROLLED DOCUMENT.		DWN	Tyco Electronics AMP K.K.	
DIMENSIONS: 單位: 毫米		CHK	Kawasaki, Japan	
TOLERANCES UNLESS OTHERWISE SPECIFIED: 一般公差		APVD	NAME	名称
<ul style="list-style-type: none"> 0-PLC 1-PLC 2-PLC 3-PLC 4-PLC 5-PLC 6-PLC 7-PLC 8-PLC 9-PLC 10-PLC 11-PLC 12-PLC 13-PLC 14-PLC 15-PLC 16-PLC 17-PLC 18-PLC 19-PLC 20-PLC 21-PLC 22-PLC 23-PLC 24-PLC 25-PLC 26-PLC 27-PLC 28-PLC 29-PLC 30-PLC 31-PLC 32-PLC 33-PLC 34-PLC 35-PLC 36-PLC 37-PLC 38-PLC 39-PLC 40-PLC 41-PLC 42-PLC 43-PLC 44-PLC 45-PLC 46-PLC 47-PLC 48-PLC 49-PLC 50-PLC 51-PLC 52-PLC 53-PLC 54-PLC 55-PLC 56-PLC 57-PLC 58-PLC 59-PLC 60-PLC 61-PLC 62-PLC 63-PLC 64-PLC 65-PLC 66-PLC 67-PLC 68-PLC 69-PLC 70-PLC 71-PLC 72-PLC 73-PLC 74-PLC 75-PLC 76-PLC 77-PLC 78-PLC 79-PLC 80-PLC 81-PLC 82-PLC 83-PLC 84-PLC 85-PLC 86-PLC 87-PLC 88-PLC 89-PLC 90-PLC 91-PLC 92-PLC 93-PLC 94-PLC 95-PLC 96-PLC 97-PLC 98-PLC 99-PLC 100-PLC 		PRODUCT SPEC	製品規格	
MATERIAL		APPLICATION SPEC	取付適用規格	
FINISH		WEIGHT	重量	
		CUSTOMER DRAWING	SIZE	A3
			CAGE CODE	00779
			DRAWING NO	1871554
			RESTRICTED TO	-
			SCALE	2:1
			SHEET	2 OF 4
			REV	C

AMP 1470-19 REV 31MAR2000

4

3

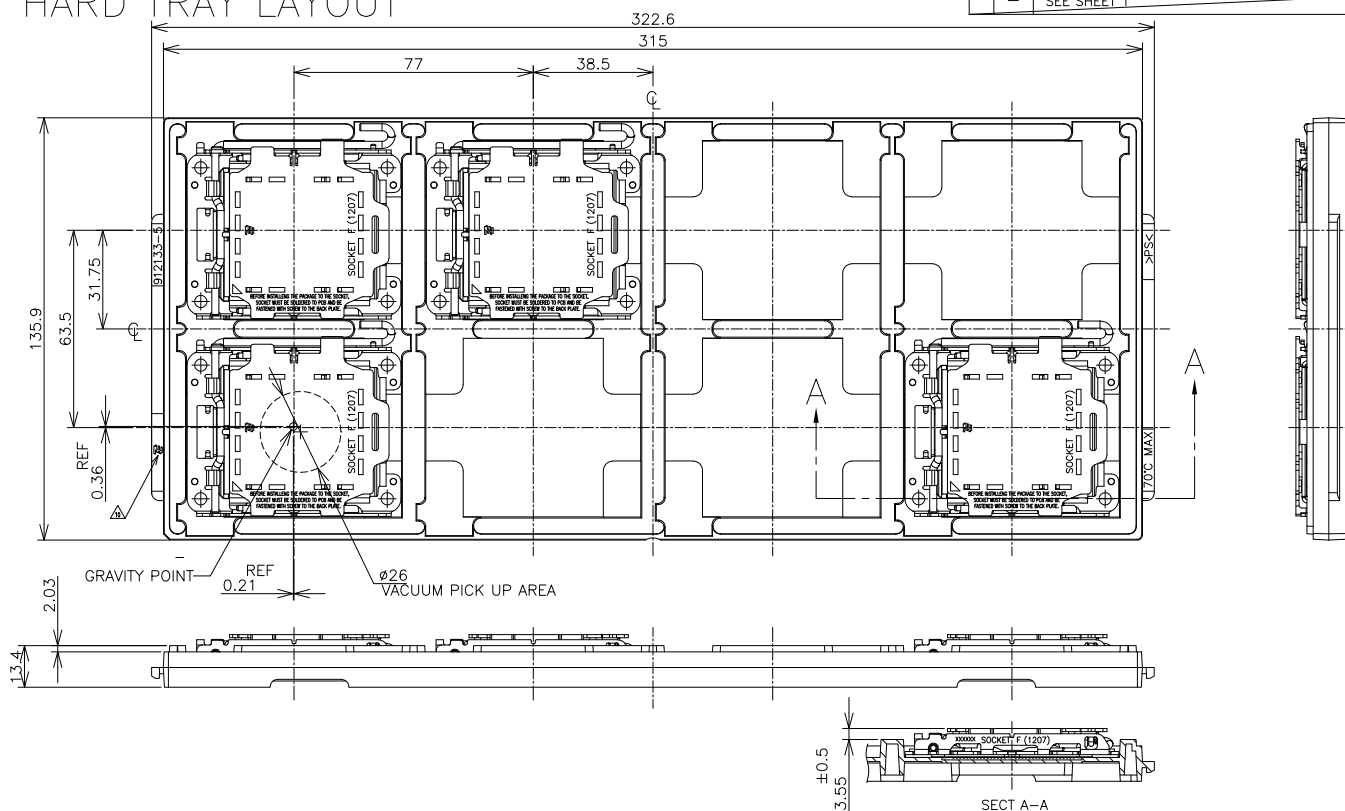
2

1

THIS DRAWING IS UNPUBLISHED. RELEASED FOR PUBLICATION
COPYRIGHT BY TYCO ELECTRONICS CORPORATION. ALL RIGHTS RESERVED.

LOC	DIST	REVISIONS			
J		REV	DATE	DWN	APVD

HARD TRAY LAYOUT



THIS DRAWING IS A CONTROLLED DOCUMENT.		DWN	Tyco Electronics AMP K.K. Kawasaki, Japan		
DIMENSIONS: 単位: 寸 mm	TOLERANCES UNLESS OTHERWISE SPECIFIED: 一般公差	CHK	NAME 名称	SOCKET F (1207) 0 DEGREE RIGHT LEVER TYPE	
		APVD	PRODUCT SPEC 製品規格	SIZE	RESTRICTED TO
			APPLICATION SPEC 取付適用規格	CAGE CODE	—
MATERIAL 材料	FINISH 仕上	WEIGHT	DRAWING NO. 番号	C-1871554	
CUSTOMER DRAWING			SCALE 尺度	SHEET 4	REV C

AMP 1470-19 REV 31MAR2000