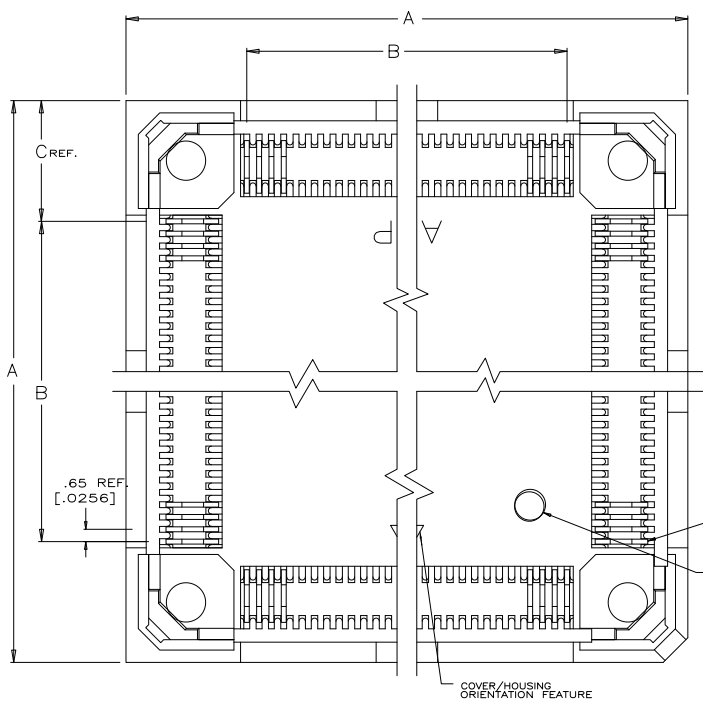
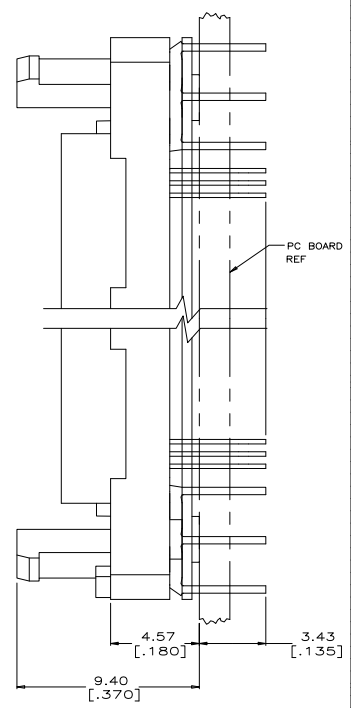
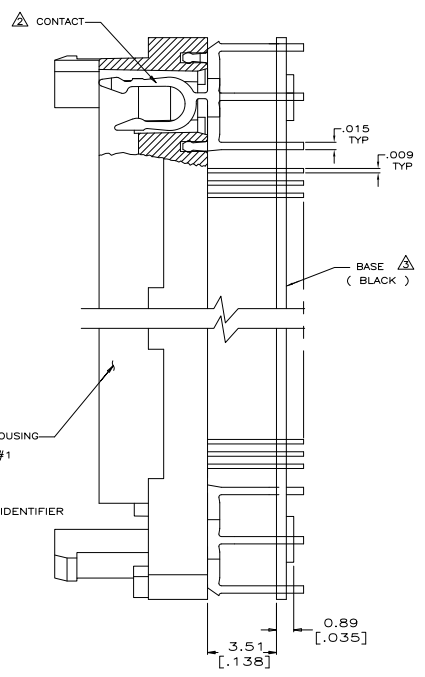


REV	DATE	DESCRIPTION	BY	CHK	APP
AG 5.3	7/10/01	REVISED PER ECO-11-004917		11MRE11	RC HMR



SUB-ASSEMBLY SHOWN AS SHIPPED

SUB-ASSEMBLY SHOWN IN FINAL POSITION



- △ HOUSING MATERIAL SHALL BE LIQUID CRYSTAL POLYMER. (BLACK)
- △ CONTACT MATERIAL SHALL BE PHOS. BRONZE. PLATING SHALL BE .000200 [0.00508] MIN. TIN/LEAD OVER .000050 [0.00127] MIN. NICKEL ALL OVER.
- △ BASE MATERIAL SHALL BE LIQUID CRYSTAL POLYMER. (BLACK)
- △ CONTACT MATERIAL SHALL BE PHOS. BRONZE. PLATING SHALL BE .000200 [0.00508] MIN. TIN (LEAD FREE) OVER .000050 [0.00127] MIN. NICKEL ALL OVER.

822115-4	△	6.43 [.253]	25.35 [.998]	38.20 [1.504]	2-822114-4	160
822115-3	△	7.73 [.304]	22.76 [.896]	38.20 [1.504]	2-822114-3	144
822115-4	△	6.43 [.253]	25.35 [.998]	38.20 [1.504]	822114-4	160
822115-3	△	7.73 [.304]	22.76 [.896]	38.20 [1.504]	822114-3	144
MATING COVER PART NO.	FINISH	C	B	A	PART NO.	POSN.

THIS DRAWING IS A CONTROLLED DOCUMENT.

INTEGRITY LEVEL: 3

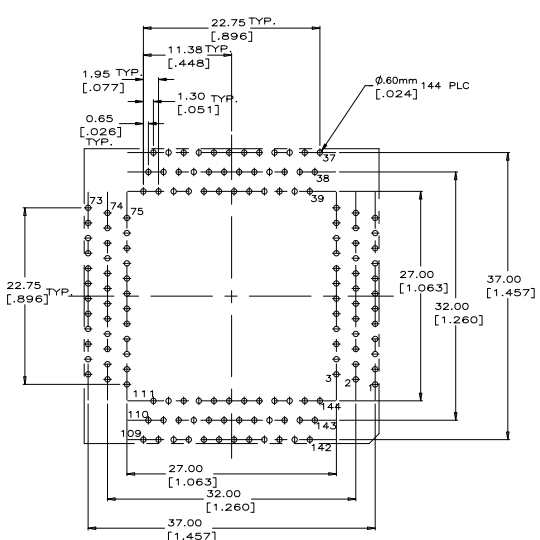
DATE: 7/10/01

DESCRIPTION: MICRO-PITCH SOCKET, METRIC HOUSING SUB-ASSEMBLY FOR 28mm SQUARE, .65 PITCH POPP

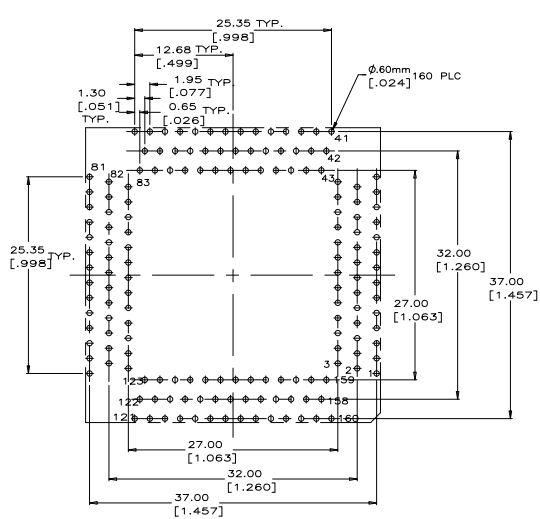
PART NO.: 822114

REVISED PER ECO-11-004917

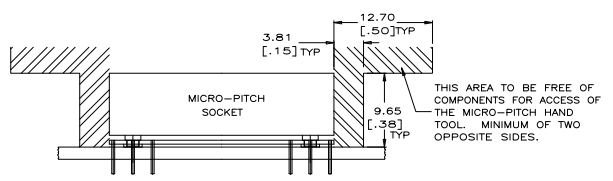
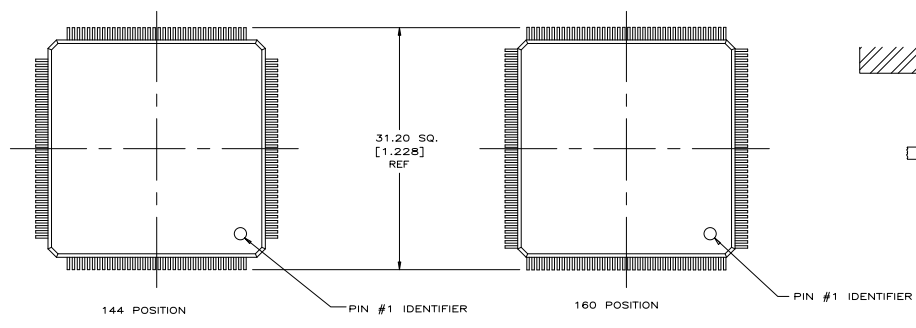
CUSTOMER DRAWING



RECOMMENDED P.C. BOARD HOLE PATTERN  
 SOCKET SIDE  
 144 POSN.



RECOMMENDED P.C. BOARD HOLE PATTERN  
 SOCKET SIDE  
 160 POSN.



THIS DRAWING IS A CONTROLLED DOCUMENT.		REV. SHEET	5-3-11
DESIGNED BY		DESIGNED BY	5-3-11
CHECKED BY		CHECKED BY	5-3-11
APPROVED BY		APPROVED BY	5-3-11
DATE		DATE	5-3-11
PROJECT		PROJECT	5-3-11
CUSTOMER DRAWING		CUSTOMER DRAWING	

**STE** TE Connectivity  
 MICRO-PITCH SOCKET, METRIC  
 HOUSING SUB-ASSEMBLY FOR  
 20mm SQUARE, 65 PITCH P2P