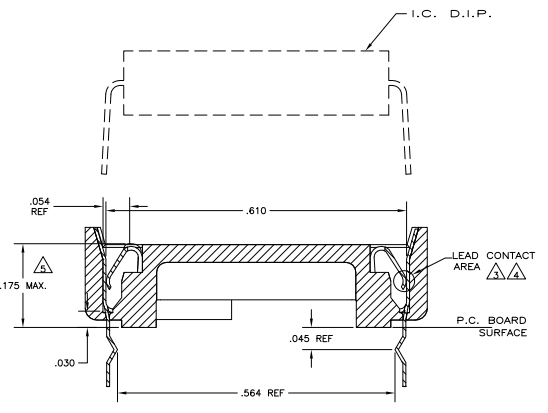
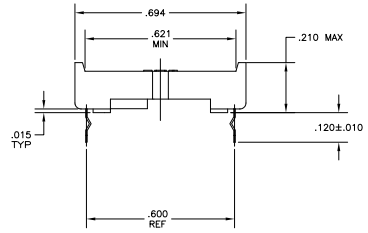
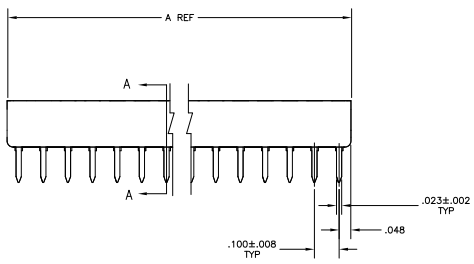
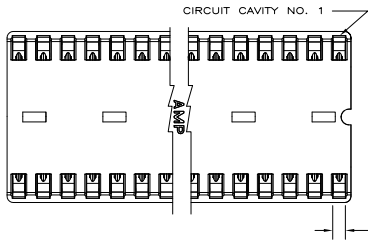
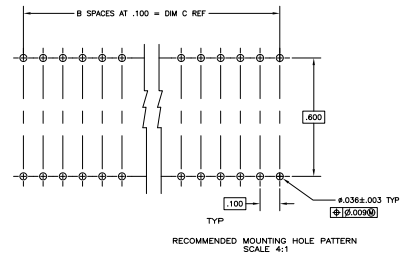


REV	DATE	DESCRIPTION	BY	CHK
AD	00			
A	EEO-05-013690		02JAN85	BSV/KD
A1	REVISED PER EEO-09-024927		07NOV89	KK/AEG



SECTION A-A
SCALE 10:1

- RECEPTACLE ACCEPTS A .008-.014 THICK I.C. LEAD.
 - TUBE LOADED FOR AUTOMATIC INSERTION.
- △ BECU CONTACT—PLATED WITH TWO .000030 MIN THK. GOLD STRIPES IN CONTACT AREA WITH TIN ON CONTACT LEGS, BALANCE OF CONTACT NICKEL PLATED.
 - △ PHOS BRONZE CONTACT—PLATED TWO .000015 MIN THK. GOLD STRIPES IN CONTACT AREA WITH TIN ON CONTACT LEGS, BALANCE OF CONTACT NICKEL PLATED.
 - △ MAXIMUM DIMENSION FOR I.C. SEATING PLANE.
 - △ HOUSING MATERIAL— GLASS FILLED THERMOPLASTIC, BLACK, 94V-0
 - △ OBSOLETE PARTS: OBSOLETE CIS STREAMLINING PER D.RENAUD/D.SINISI



OBSOLETE	△	1,900	19	1,995	40	1-1825375-3
	△	1,300	13	1,395	28	1-1825375-2
	△	1,100	11	1,195	24	1-1825375-1
	△	1,900	19	1,995	40	1825375-3
	△	1,300	13	1,395	28	1825375-2
	△	1,100	11	1,195	24	1825375-1

OBSOLETE	△	CONTACT & FINISH	DIM C	B SPCS	DIM A	POSITION	PART NO.
	△						

THIS DRAWING IS A CONTROLLED DOCUMENT.		DATE OF ISSUE		REVISED	
DATE	ISSUE	DATE	ISSUE	DATE	ISSUE

DESIGNER	DATE	ISSUE	DATE	ISSUE	DATE	ISSUE

THIS DRAWING IS A CONTROLLED DOCUMENT.	DATE OF ISSUE	REVISED

THIS DRAWING IS A CONTROLLED DOCUMENT.	DATE OF ISSUE	REVISED