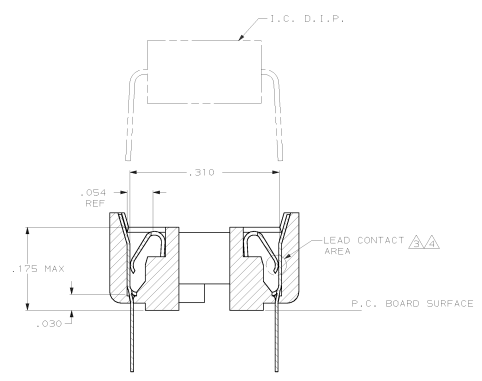
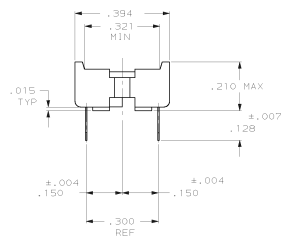
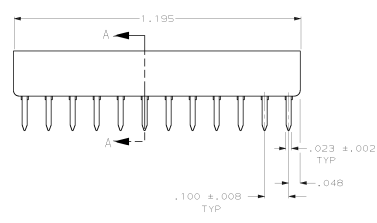
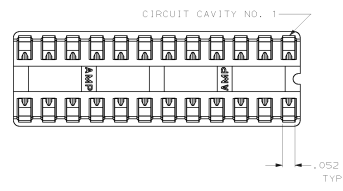


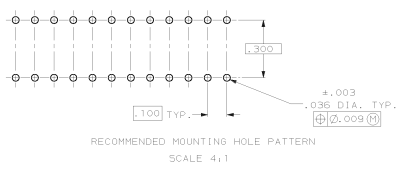
DRAWING MADE IN THIRD ANGLE PROJECTION  
 THIS DRAWING IS UNCLASSIFIED - RELEASED FOR PUBLICATION  
 © COPYRIGHT 19 BY AMP INCORPORATED, HARRISBURG, PA. ALL INTERNATIONAL RIGHTS RESERVED. AMP PRODUCTS MAY BE COVERED BY U.S. AND FOREIGN PATENTS AND/OR PATENTS PENDING.

REVOLUTIONS		DATE	APPRO
AD	0	Y	PER
DESCRIPTION		053C-0104-01	2000
LOC	DIFF	ZONE	LTR
AD	0	Y	PER



SECTION A-A  
SCALE 10:1

- RECEPTACLE ACCEPTS A .008-.014 THICK I.C. LEAD.
- TUBE LOADED FOR AUTOMATIC INSERTION.
- TWO .000030 MIN THK. GOLD STRIPES IN CONTACT AREA WITH TIN-LEAD (93/7) ON CONTACT LEGS, BALANCE OF CONTACT NICKEL PLATED.
- TWO .000015 MIN THK. GOLD STRIPES IN CONTACT AREA WITH TIN-LEAD (93/7) ON CONTACT LEGS, BALANCE OF CONTACT NICKEL PLATED.
- SPECIAL PACKAGING.



RECOMMENDED MOUNTING HOLE PATTERN  
SCALE 4:1

SUPSD BY 390261-B	TINNED	REF. CV. .006 THK	GLASS-FILLED THERMOPLASTIC, 94V-0, BLACK	5-641932-1
OBSELETE	TINNED	PHOS. BRZ. .006 THK	GLASS-FILLED THERMOPLASTIC, 94V-0, BLACK	2-641932-5
SUPSD BY 390261-B	TINNED	PHOS. BRZ. .006 THK	GLASS-FILLED THERMOPLASTIC, 94V-0, BLACK	2-641932-3
	TINNED	REF. CV. .006 THK	GLASS-FILLED THERMOPLASTIC, 94V-0, BLACK	2-641932-2
SUPSD BY 390261-B	TINNED	REF. CV. .006 THK	GLASS-FILLED THERMOPLASTIC, 94V-0, BLACK	2-641932-1

CONTACT FINISH	CONTACT MAT'L	HOUSING MATERIAL	PART NO.

UNLESS OTHERWISE SPECIFIED DIMENSIONS ARE IN INCHES TOLERANCES: .01	DR 8-7-87 R. EVANS	AMP INCORPORATED Harrisburg, Pa. 17105	NAME
2 PL DEC ± .005 3 PL DEC ± .005 ANGLES *0°30'	CHK 8-31-87 R. MILLER		SOCKET ASSY, DIP, LADDER, 24 POS, DIPLOMATE DL
MATERIAL	APPRO 2-11-87 J. GRAY	SIZE	PSCH NO
SEE TABLE	PRODUCT SPEC	10B-1066	00779
FINISH	APPLICATION SPEC	114-1043	DRAWING NO
SEE TABLE	WEIGHT	-	641932
		SCALE 5:1	SHEET 1 OF 1