

4

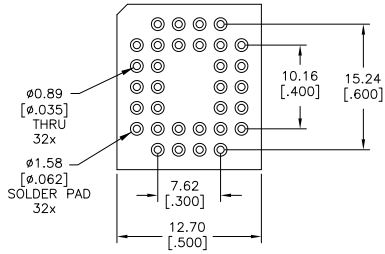
3

2

1

THIS DRAWING IS UNPUBLISHED. RELEASED FOR PUBLICATION. ALL RIGHTS RESERVED.

LOC	DIST	REVISIONS			
F	LNK	DESCRIPTION	DATE	BY	APP
C1		REVISED PER ECO-11-005027	11MAR11	RK	HMR

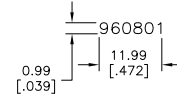


RECOMMENDED HOLE LAYOUT
TOLERANCE: ±0.05[002]
UNLESS OTHERWISE NOTED

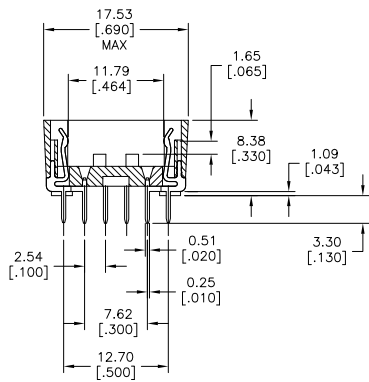
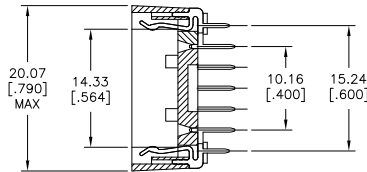
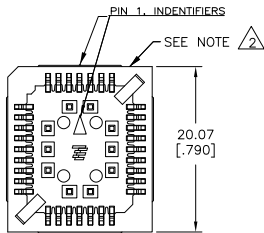
NOTES:

- 1. MATERIALS:
CONTACT: COPPER ALLOY, 0.004572[.000180] MIN TIN TIN PLATE OVER 0.00127[.000050] MIN NICKEL.
INSULATOR: PPS, 40% GLASS FILLED, UL 94V-0

- 2. DATE CODE (PER BELOW) TO BE LASER CODED AND CENTERED ON THIS SURFACE.



- 3. UL RECOGNITION E320916.



32	1571540-1
POSITION	PT. NO.

THIS DRAWING IS A CONTROLLED DOCUMENT.		DRW	D. MURREN	26AJ003	TE Connectivity
		CHK	K. WRIGHT	26AJ003	
		APP	K. WRIGHT	26AJ003	OUTLINE DRAWING PLCC SOCKET
		NAME	108-38000		
DIMENSIONS: mm [INCHES]		TOLERANCES UNLESS OTHERWISE SPECIFIED:			
0 PLG ± .01		1 PLG ± .01			
2 PLG ± .01		3 PLG ± .01			
4 PLG ± .01		ANGLES ± 1°			
MATERIAL		FINISH	SIZE	CAGE CODE	DRAWING NO.
CUSTOMER DRAWING			A2	00779	C=1571540
		SCALE	1:1	SHEET	1 of 1
		REV	C1		

1471-9 (3/11)

1571540

B

A