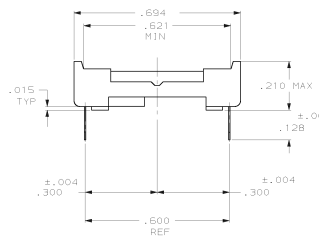
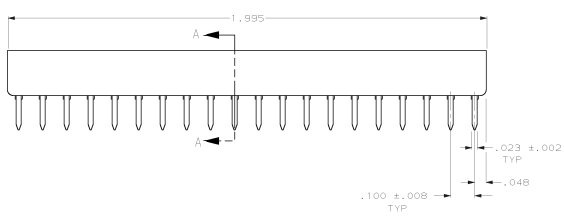
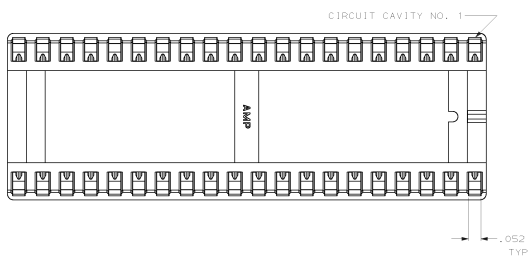
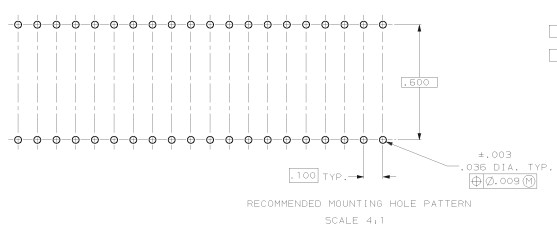
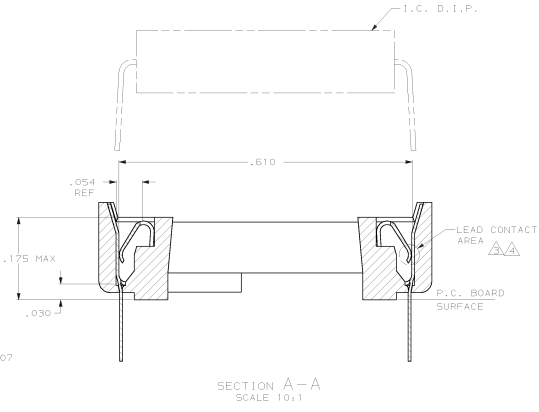


THIS DRAWING IS UNCLASSIFIED AND RELEASED FOR PUBLICATION
 © COPYRIGHT 1989 BY AMP INCORPORATED, HARRISBURG, PA. ALL INTERNATIONAL RIGHTS RESERVED. AMP PRODUCTS MAY BE COVERED BY U.S. AND FOREIGN PATENTS AND/OR PATENTS PENDING.

LOC	DIST	P	F	ZONE	LTR	REVISIONS	DATE	APPD	
						T	SUPSD 2-5 PER 0160-4756-95	7-11-89	AS
						U	REV PER EC 0320-198-97	10-24-89	BJ
						V	SUPSD -21, 23 AND 685 -25, -43 PER EC 0630-146-99	11-28-89	SR



- RECEPTACLE ACCEPTS A .008-.014 THICK I.C. LEAD.
 - TUBE LOADED FOR AUTOMATIC INSERTION.
- TWO .000030 MIN THK. GOLD STRIPES IN CONTACT AREA WITH TIN-LEAD (93/7) ON CONTACT LEGS, BALANCE OF CONTACT NICKEL PLATED.
 - TWO .000015 MIN THK. GOLD STRIPES IN CONTACT AREA WITH TIN-LEAD (93/7) ON CONTACT LEGS, BALANCE OF CONTACT NICKEL PLATED.
 - SEE RESTRICTED CUSTOMER DRAWING 4-641606-3.



OBsolete	TINNED	PHOS. BRZ. .006 THK	GLASS-FILLED THERMOPLASTIC, 94V-0, BLACK	2-641606-4
OBsolete	TINNED	PHOS. BRZ. .006 THK	GLASS-FILLED THERMOPLASTIC, 94V-0, BLACK	2-641606-0
SUPSD BY 390262-5	TINNED	PHOS. BRZ. .006 THK	GLASS-FILLED THERMOPLASTIC, 94V-0, BLACK	2-641606-3
SUPSD BY 390262-5	TINNED	BE. CO. .006 THK	GLASS-FILLED THERMOPLASTIC, 94V-0, BLACK	2-641606-2
SUPSD BY 390262-5	TINNED	BE. CO. .006 THK	GLASS-FILLED THERMOPLASTIC, 94V-0, BLACK	2-641606-1

CONTACT FINISH	CONTACT MAT'L	HOUSING MATERIAL	PART NO.

UNLESS OTHERWISE SPECIFIED DIMENSIONS ARE IN INCHES TOLERANCES: CR	BY H. CYRUS 8-17-87	AMP INCORPORATED Harrisburg, Pa. 17105
2 PL DEC # 3 PL DEC # ANGLES #0°30'	BY MILLER 8-31-87	
MATERIAL	APPD	NAME
SEE TABLE	APPD	SOCKET ASSY, DIP, LADDER, 40 POS, DIPLOMATE DL
FINISH	APPD	SIZE
SEE TABLE	APPD	D 00779
		DRAWING NO
		641606
		SCALE
		5:1
		SHEET
		1 OF 1