

4

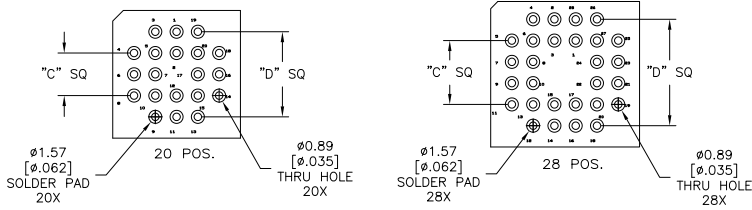
3

2

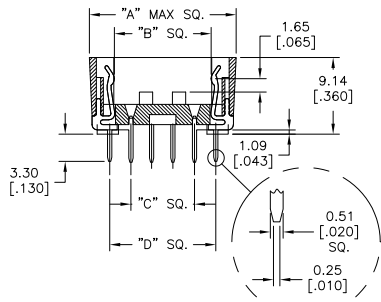
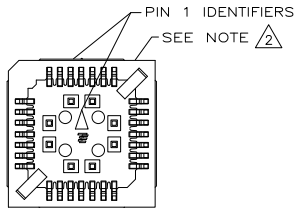
1

THIS DRAWING IS UNPUBLISHED. RELEASED FOR PUBLICATION.
 © COPYRIGHT BY TYCO ELECTRONICS CORPORATION. ALL INTERNATIONAL RIGHTS RESERVED.

LOC	DIST	REVISIONS		
F	LWR	DESCRIPTION	DATE	BY
AD	00			
	C	REVISED PER ECO-08-027222	05NOV08	HMR FD



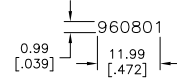
RECOMMENDED HOLE LAYOUT
 TOLERANCE: ±0.05 [.002]
 UNLESS OTHERWISE NOTED



NOTES:

1. MATERIALS:
 CONTACT: COPPER ALLOY, 0.004572[.000180] MIN TIN PLATE
 OVER 0.00127[.000050] MIN NICKEL.
 INSULATOR: PPS, 40% GLASS FILLED, UL 94V-0

2. DATE CODE (PER BELOW) TO BE LASER CODED
 AND CENTERED ON THIS SURFACE.



3. UL RECOGNITION E320916.

PART NO.	POS.	DIM "A"	DIM "B"	DIM "C"	DIM "D"	DIM "E"	DIM "F"
1571539-1	20	14.99 [.590]	9.14 [.360]	5.08 [.200]	10.16 [.400]	9.91 [.390]	2.67 [.105]
1571539-2	28	17.53 [.690]	11.68 [.460]	7.62 [.300]	12.70 [.500]	12.45 [.490]	2.67 [.105]

THIS DRAWING IS A CONTROLLED DOCUMENT.

DIM: D. MURREN 25AJ003	TYCO Electronics Corporation Harrisburg, PA 17105-3608
CHK: K. WRIGHT 244P903	
APP: K. WRIGHT 244P903	
PRODUCT SPEC: 108-38000	OUTLINE DRAWING PLCC SOCKET
APPLICATION SPEC:	SIZE: CASE CODE: DRAWING NO: A2 00779 C=1571539
MATERIAL:	RESTRICTED TO: -
FINISH:	CUSTOMER DRAWING
	SCALE: 3:1 SHEET: 1 of 1 REV: C