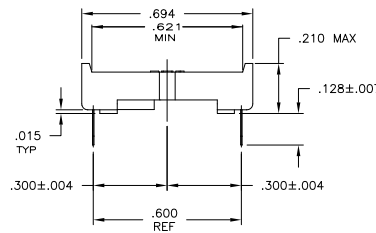
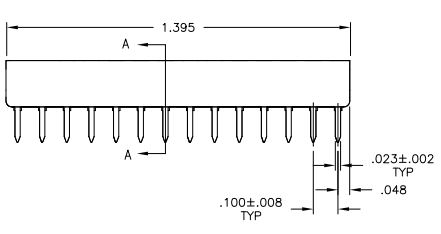
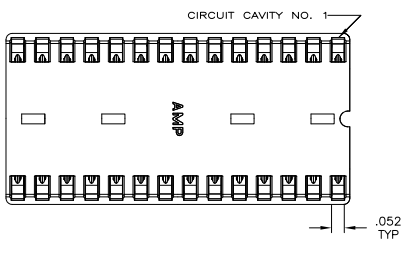
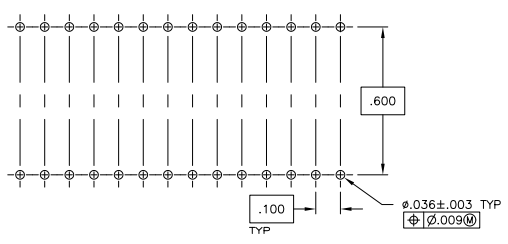
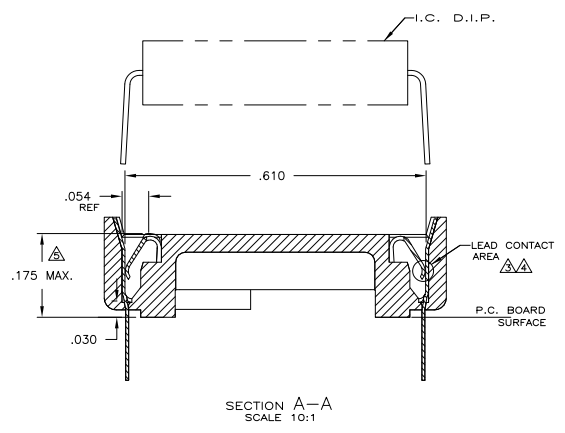


| REV | DATE | DESCRIPTION               | BY | CHK | APP |
|-----|------|---------------------------|----|-----|-----|
| AD  | 0    |                           |    |     |     |
| AD1 |      | REVISED PER ECO-11-004917 |    |     |     |



- RECEPTACLE ACCEPTS A .008-.014 THICK I.C. LEAD.
- TUBE LOADED FOR AUTOMATIC INSERTION.
- TWO .00030 MIN THK. GOLD STRIPES IN CONTACT AREA WITH TIN-LEAD (93/7) ON CONTACT LEGS. BALANCE OF CONTACT NICKEL PLATED.
- TWO .00015 MIN THK. GOLD STRIPES IN CONTACT AREA WITH TIN-LEAD (93/7) ON CONTACT LEGS. BALANCE OF CONTACT NICKEL PLATED.
- MAXIMUM DIMENSION FOR I.C. SEATING PLANE.
- SPECIAL PACKAGING.



RECOMMENDED MOUNTING HOLE PATTERN  
 SCALE 4:1

|   |                |                    |  |            |
|---|----------------|--------------------|--|------------|
| SUPSD BY 390262-2                                     | TINNED         | BE.CU. .006 THK    | GLASS-FILLED THERMOPLASTIC, 94V-0, BLACK | 5-640362-1 |
|   |                | PHOS.BRZ. .008 THK | GLASS-FILLED THERMOPLASTIC, 94V-0, BLACK | 2-640362-4 |
| SUPSD BY 390262-2                                     | TINNED         | PHOS.BRZ. .008 THK | GLASS-FILLED THERMOPLASTIC, 94V-0, BLACK | 2-640362-3 |
|   |                | BE.CU. .006 THK    | GLASS-FILLED THERMOPLASTIC, 94V-0, BLACK | 2-640362-2 |
| SUPSD BY 390262-2                                     | TINNED         | BE.CU. .006 THK    | GLASS-FILLED THERMOPLASTIC, 94V-0, BLACK | 2-640362-1 |
|   |                |                    |  |            |
|   | CONTACT FINISH | CONTACT MAT'L      | HOUSING MATERIAL                         | PART NO.   |
| THIS DRAWING IS A CONTROLLED DOCUMENT. DATE: 11-14-10 |                |                    |  |            |
| DESIGNED BY: J. MILLER                                |                | DATE: 11-14-10     | TE Connectivity                          |            |
| CHECKED BY: J. MILLER                                 |                | DATE: 11-14-10     | SOCKET ASSY, DIP, 28 POS, DIPLOMATE DL   |            |
| DRAWN BY: J. MILLER                                   |                | DATE: 11-14-10     | 108-1066                                 |            |
| DATE: 11-14-10  |                | 114-1049           |  | SIZE: 5.1  |
| DATE: 11-14-10  |                | A100779            |  | Q=640362   |
| DATE: 11-14-10  |                | CUSTOMER DRAWING   |  | DATE: 5.1  |