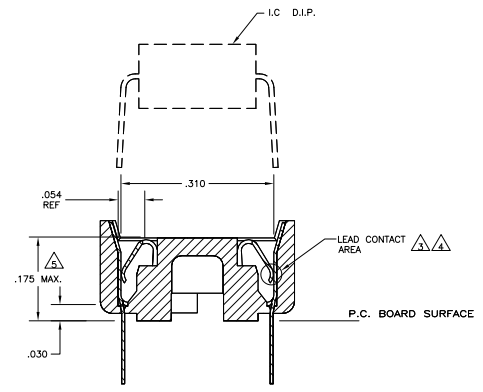
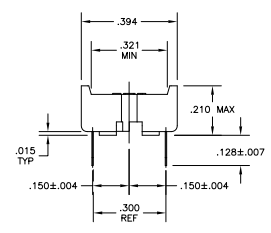
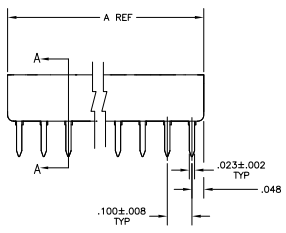
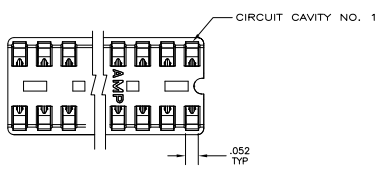
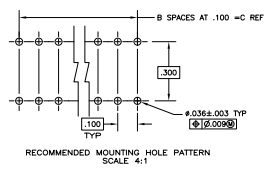


- RECEPTACLE ACCEPTS A .008-.014 THICK I.C. LEAD.
  - TUBE LOADED FOR AUTOMATIC INSERTION.
- △ BECU CONTACT-PLATED WITH TWO .000030 MIN THK. GOLD STRIPES IN CONTACT AREA WITH TIN ON CONTACT LEGS, BALANCE OF CONTACT NICKEL PLATED.
  - △ PHOS. BRONZE CONTACT-PLATED WITH TWO .000015 MIN THK. GOLD STRIPES IN CONTACT AREA WITH TIN ON CONTACT LEGS, BALANCE OF CONTACT NICKEL PLATED.
  - △ MAXIMUM DIMENSION FOR I.C. SEATING PLANE.
  - △ HOUSING MATERIAL-GLASS FILLED THERMOPLASTIC, BLACK, 94V-0



SECTION A-A  
 SCALE 10:1



CONTACT & FINISH	DIM C	B SPCS	DIM A	POSITION	PART NO.
△	.900	9	.995	20	1-1825093-6
△	.800	8	.895	18	1-1825093-5
△	.700	7	.795	16	1-1825093-4
△	.600	6	.695	14	1-1825093-3
△	.300	3	.395	8	1-1825093-2
△	.200	2	.295	6	1-1825093-1
△	.900	9	.995	20	1825093-6
△	.800	8	.895	18	1825093-5
△	.700	7	.795	16	1825093-4
△	.600	6	.695	14	1825093-3
△	.300	3	.395	8	1825093-2
△	.200	2	.295	6	1825093-1

THIS DRAWING IS A CONTROLLED DOCUMENT. THE FOLLOWING INFORMATION IS UNCLASSIFIED UNLESS INDICATED OTHERWISE.

DATE: 000779G-1825093

CUSTOMER DRAWING

TE Connectivity  
 DIP SOCKET ASSY, CLOSED, DIPLOMATE, .300 CL, LEAD FREE

SIZE: 5.1